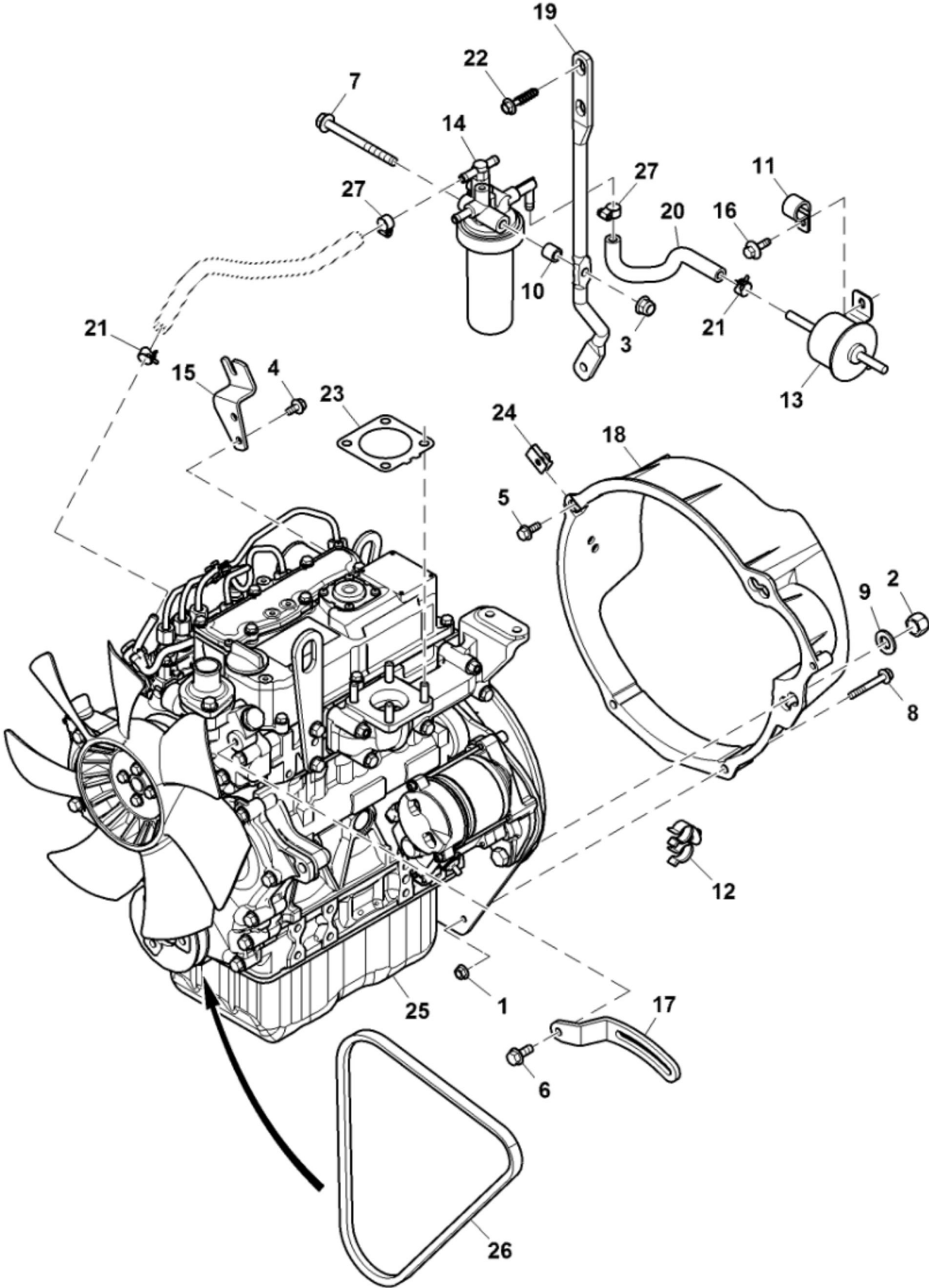


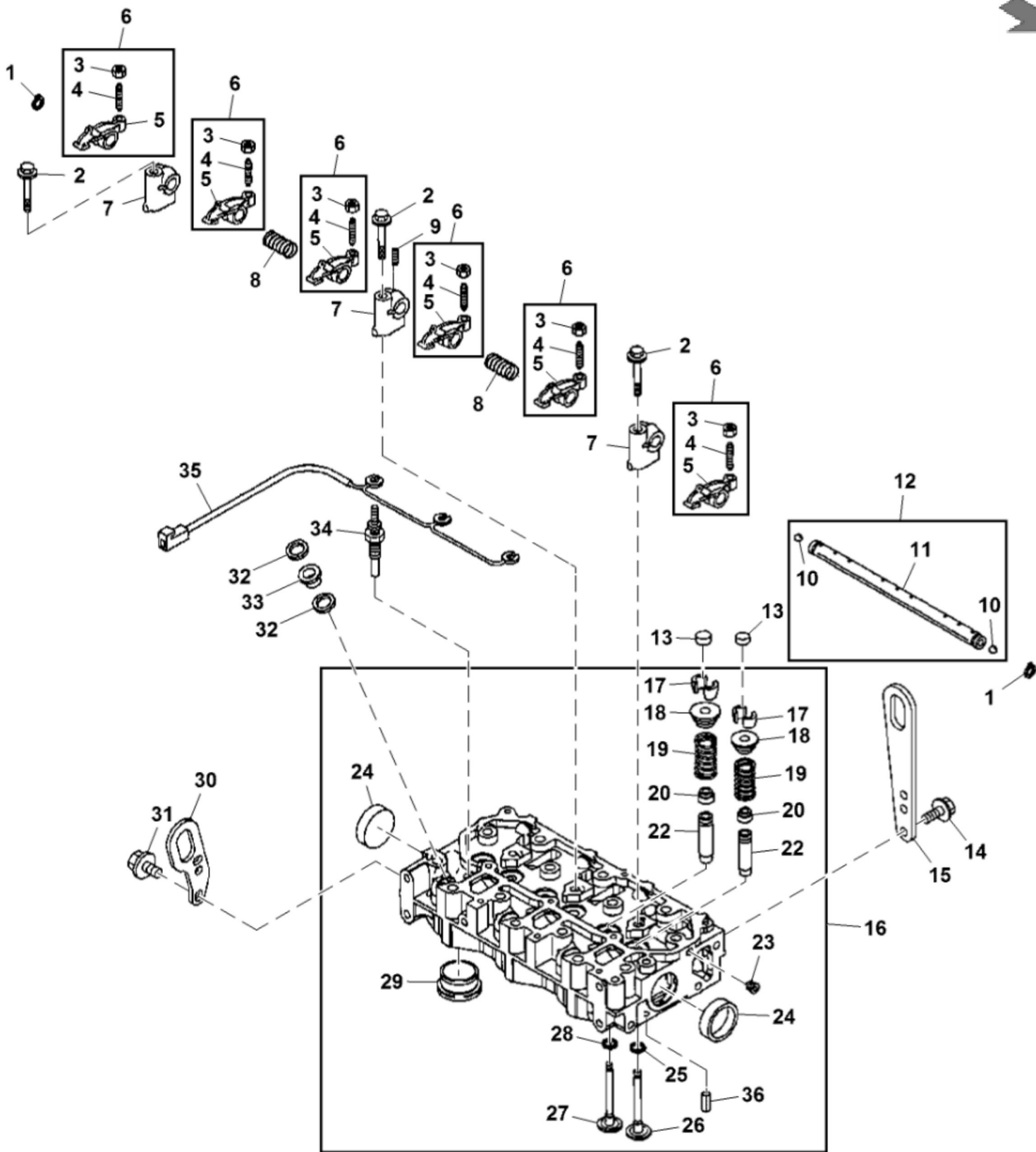
LV294373

KEY	PART NO.	PART NAME	QTY	Serial No.	REMARKS
1	MTU800287	BOLT	14	____-310000	Cylinder Head
1	M800970	BOLT	14	310001-____	Cylinder Head
2	MIA882277	GASKET KIT	1		
3	MIA881534	CYLINDER BLOCK	1		
4	CH18079	SPRING PIN	2		
5	MTU801572	PLUG	3		
6	CYLINDER BLOCK	1		
7	M802254	PIN	2		
8	MTU801589	SHAFT	1		IDLE GEAR
9	19M7797	BOLT	3		SUB FOR M800008
10	CH10314	PLUG	3		
11	MIA881538	BEARING	4		STD, MAIN
11	MIA881539	BEARING	4		MainUnder Sized = 0.25 MM (0.010 IN)
12	M64850	LIQUID GASKET	AR		2.8 OZ, TUBE
13	MTU801573	BOLT	16		
14	MIA881524	LADDER	1		FRAME; ORDER MIA882682
15	MTU801571	PIPE	2		
16	MIA881540	THRUST BEARING	2		STD
16	MIA881541	THRUST BEARING	2		Over Sized = 0.25 MM (0.010 IN)
17	M808706	PLUG	1		
18	30M7023	PLUG	4		
19	PLUG	1		
20	MTU800347	SEAL	1		
21	MIA11366	DIESEL ENGINE	1	____-310000	MARKED 3TNM72-CJT; Not Illustrated
21	MIA881533	SHORT BLOCK ASSEMBLY	1	____-310000	Not Illustrated
21	MIA12146	DIESEL ENGINE	1	310001-510470	Engine MARKED 3TNM74F-NCJT; Not Illustrated
21	MIA13082	DIESEL ENGINE	1	510471-____	Engine MARKED 3TNM74F-NCJT; Not Illustrated
21	MIA882682	SHORT BLOCK ASSEMBLY	1	310001-____	Not Illustrated
22	MTU801570	GASKET	1		
23	MTU802524	BOLT	4		
24	AT211671	O-RING	1		



LV248234

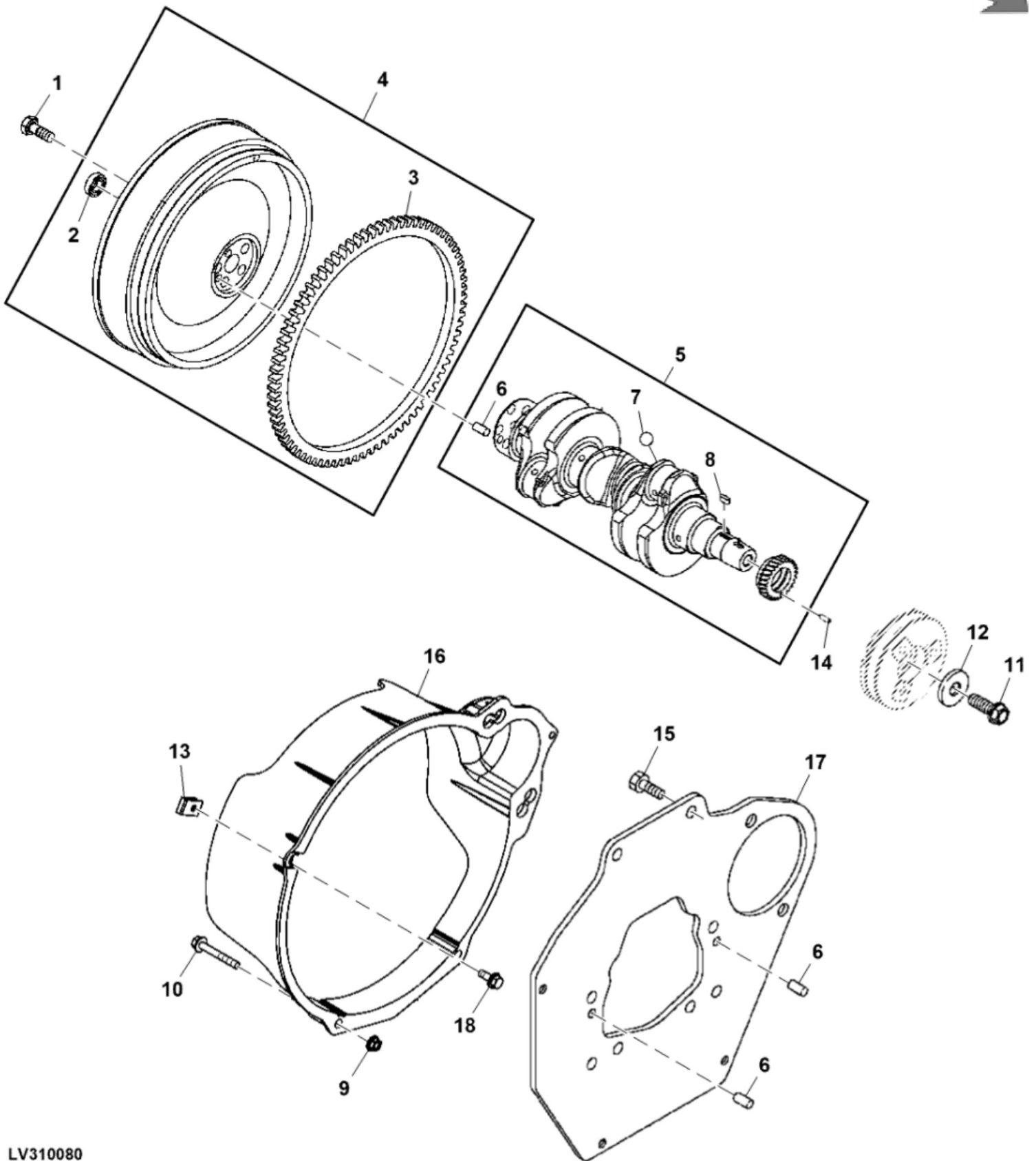
KEY	PART NO.	PART NAME	QTY	REMARKS
1	14M7303	FLANGE NUT	2	M6
2	14M7367	LOCK NUT	2	M12
3	14M7396	LOCK NUT	1	M8
4	19M7774	SCREW	2	M6 X 12
5	19M7775	SCREW	1	M6 X 16
6	19M7866	SCREW	1	M8 X 20
7	19M7913	SCREW	1	M8 X 90
8	19M8321	SCREW	2	M6 X 45
9	24M7047	WASHER	2	13 X 24 X 2.500 mm
10	28H3450	SPACER	1	0.364" X 0.540" X 1/2"
11	AH77724	CLIP	1	
12	AL157115	CLIP	1	
13	AM876266	FUEL PUMP	1	
14	M1A883607	FUEL FILTER	1	SUB FOR AM882413
15	LVU22124	SUPPORT	1	
16	LVU22419	BOLT	2	
17	LVU24754	ADJUSTING STRAP	1	
18	LVU33746	COVER	1	SUB FOR LVU26806
19	LVU28439	ROD	1	
20	LVU28736	HOSE	1	(Pump To Filter)
21	M131032	CLAMP	3	
22	M146384	SCREW	3	
23	M811089	GASKET	1	
24	M84972	NUT	1	
25	M1A13082	DIESEL ENGINE	1	MARKED 3TNM74F-NCJT
26	MIU800681	V-BELT	1	
27	TY22462	CLAMP	3	



LV294374

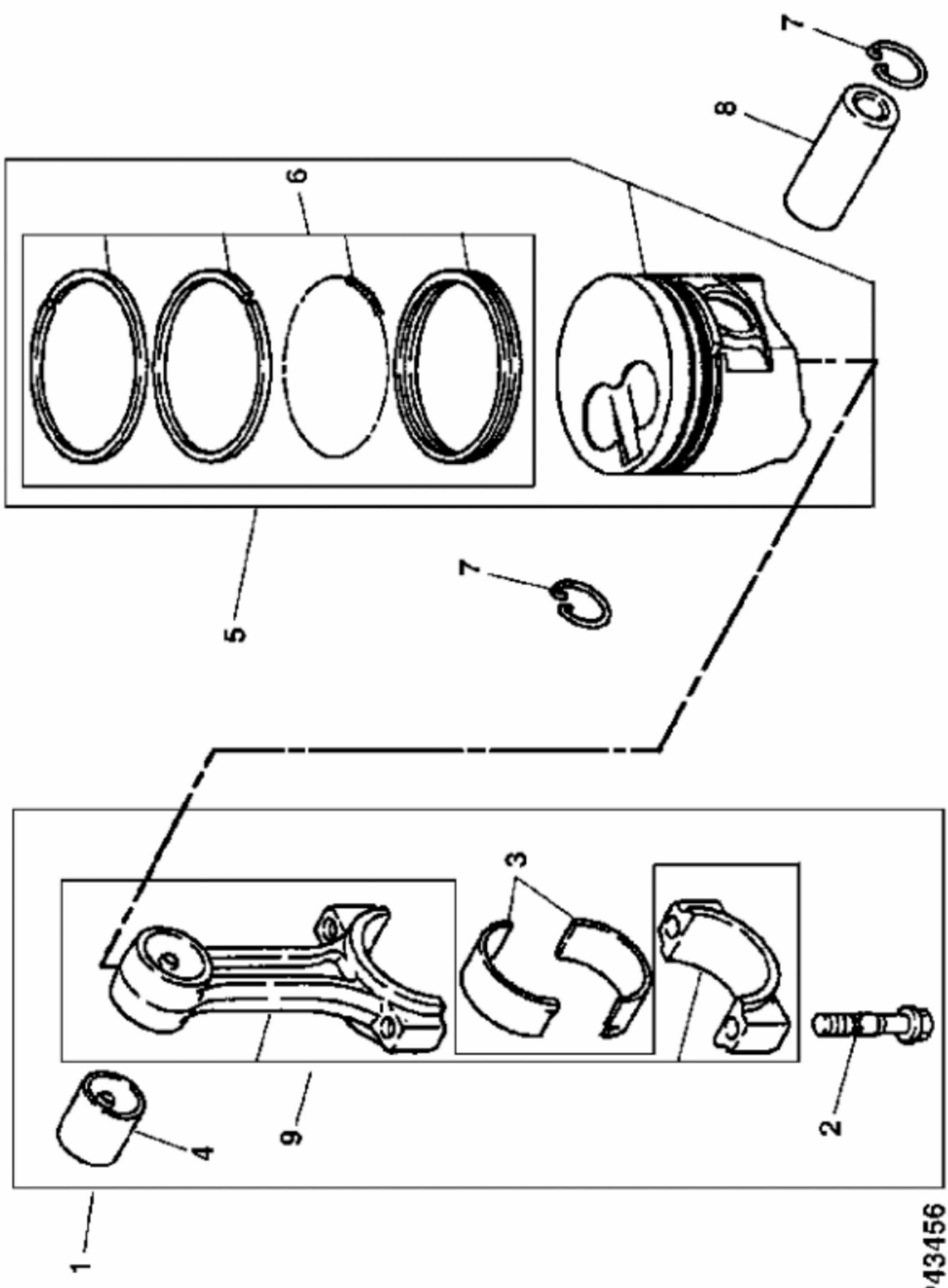
KEY	PART NO.	PART NAME	QTY	Engine Serial No.	REMARKS
1	M87818	SNAP RING	2		
2	19M8317	SCREW	3		M8 X 40
3	M801028	NUT	6		
4	M801027	SCREW	6		
5	ROCKER ARM	1		
6	AM882423	ROCKER ARM	6		
7	M811846	SUPPORT	3		
8	MIU800298	SPRING	2		
9	M87893	SCREW	1		
10	BALL	2		
11	ROCKER ARM SHAFT	1		
12	MIA880278	ROCKER ARM SHAFT	1		
13	M811804	CAP	6		
14	19M7865	SCREW	2		M8 X 16
15	AT211695	HANGER	1		
16	MIA881559	CYLINDER HEAD	1	____-310000	
16	MIA884063	CYLINDER HEAD	1	310001-____	SUB FOR MIA882284
17	M811844	RETAINER	12		
18	M811966	RETAINER	6		
19	M811842	SPRING	6		
20	M811850	SEAL	3		
21	M811851	SEAL	3		
22	MIU800305	GUIDE	6		
23	M808706	PLUG	1		
24	M811808	PLUG	2		
25	MIU802290	VALVE SEAT INSERT	3		INTAKE
26	MIU802531	VALVE	3		
27	MIU802532	EXHAUST VALVE	3		
28	MIU802291	VALVE SEAT INSERT	3		EXHAUST (NSEP)
29	CHAMBER	3		
30	MIU800461	BRACKET	1		
31	CH19780	BOLT	2		
32	M89135	GASKET	6		

KEY	PART NO.	PART NAME	QTY	Engine Serial No.	REMARKS
33	M811967	SHIELD	3		
34	MTU801643	GLOW PLUG	3	____-310000	
34	MTU802457	GLOW PLUG	3	310001-____	
35	MTU801644	CONNECTOR	1	____-310000	
35	M811938	ELEC. CONNECTOR TERMINAL	1	310001-____	
36	CH18079	SPRING PIN	2		



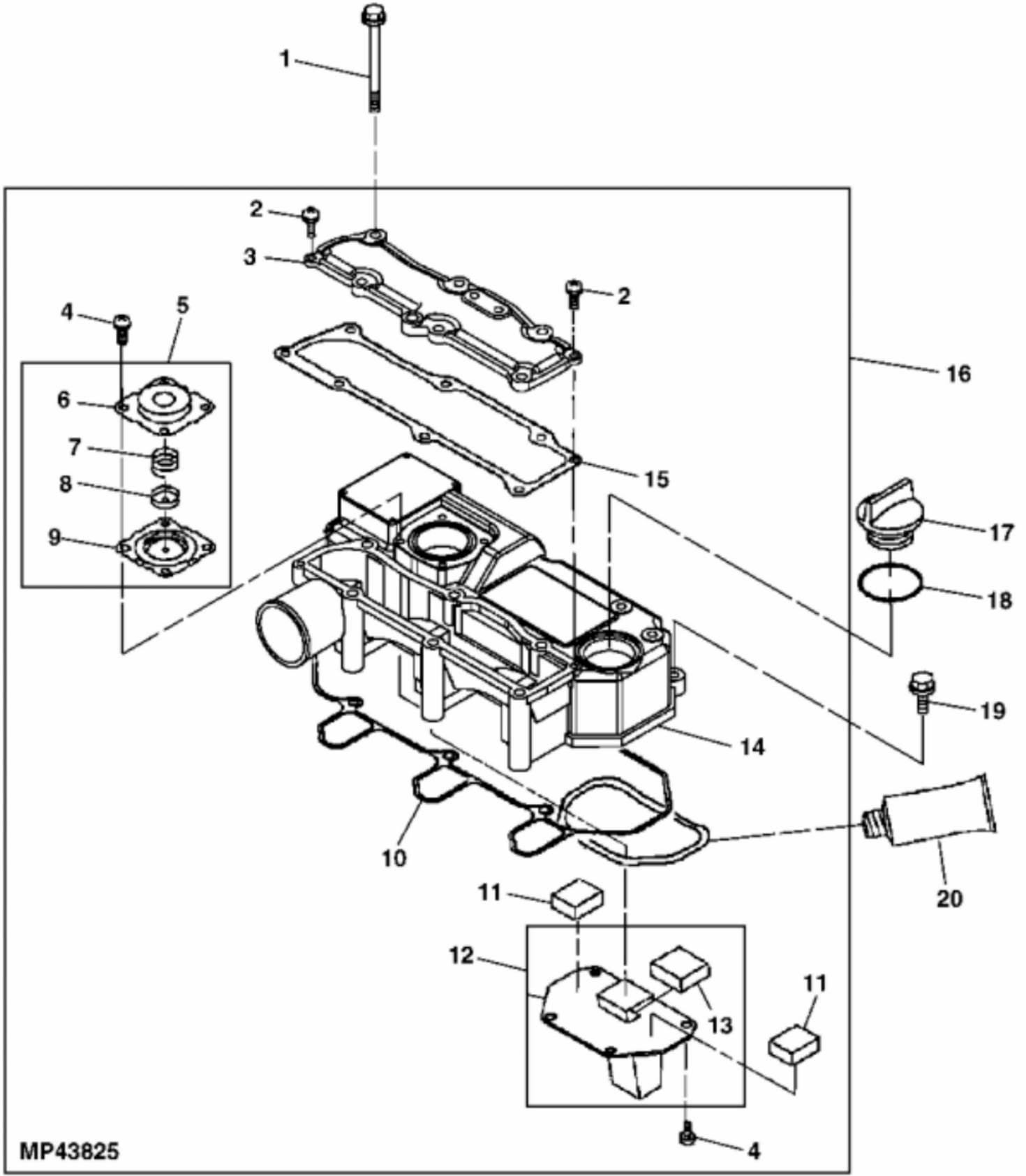
LV310080

KEY	PART NO.	PART NAME	QTY	Engine Serial No.	REMARKS
1	CH20081	BOLT	5		
2	M807344	BEARING	1		
3	M88025	RING GEAR	1		
4	M1A881686	FLYWHEEL KIT	1		
5	M1A881527	CRANKSHAFT	1	____-310000	
5	M1A882285	CRANKSHAFT	1	310001-____	
6	M802255	PIN	3		
7	400R	BALL	3		
8	M87812	SHAFT KEY	2		
9	14M7303	FLANGE NUT	2		M6
10	19M8321	SCREW	2		M6 X 45
11	MTU801499	BOLT	1		
12	M800308	WASHER	1		
13	M84972	NUT	1		
14	CH15575	PIN	1		
15	M800011	BOLT	8		
16	LVU33746	COVER	1		SUB FOR LVU26806
17	MTU801725	FLANGE	1		
18	19M7775	BOLT	1		



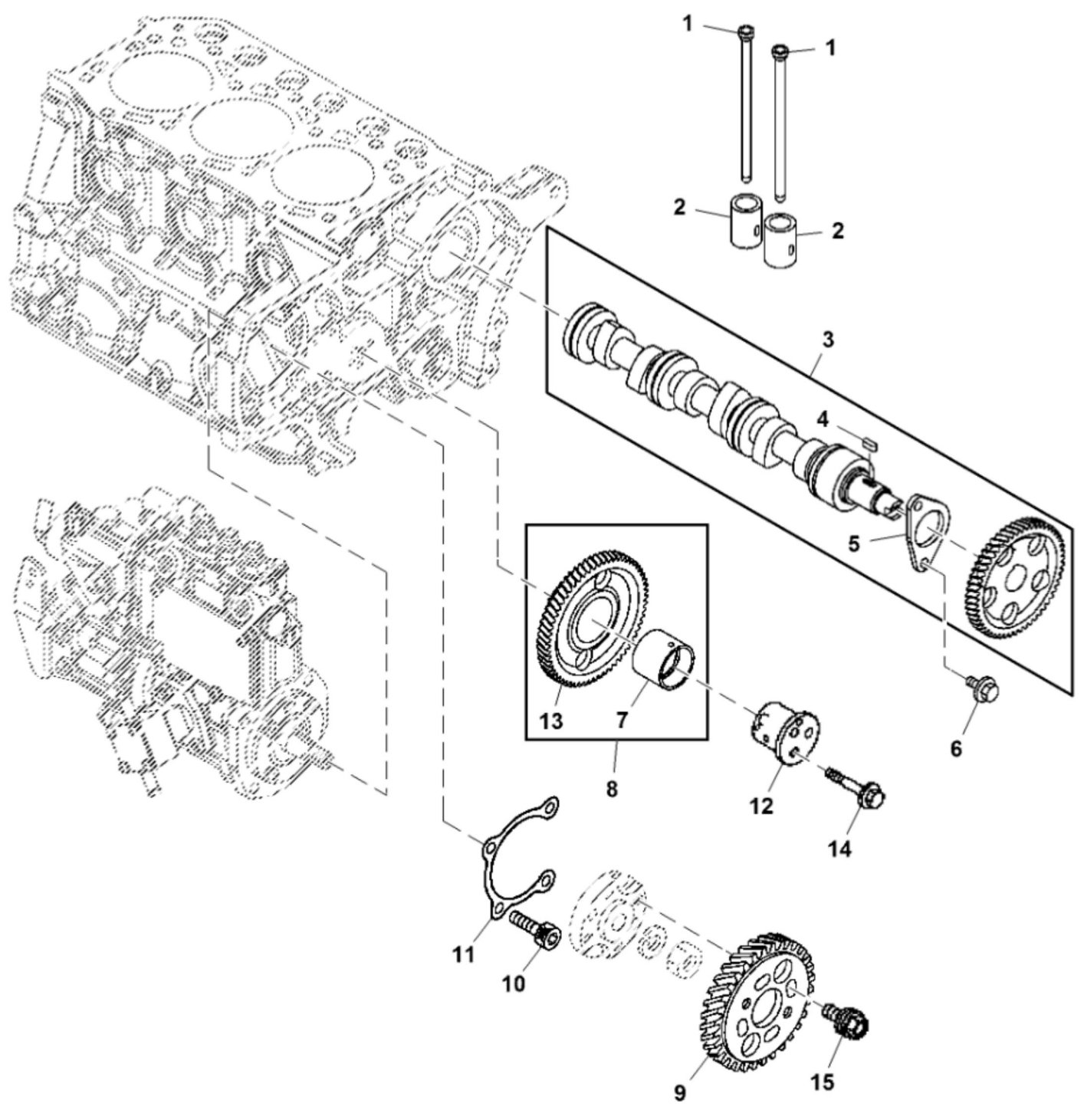
MP43456

KEY	PART NO.	PART NAME	QTY	Serial No.	REMARKS
1	MIA880289	CONNECTING ROD	3		
2	M811877	BOLT	6		
3	MIA880560	BEARING	3		STD
3	MIA880565	BEARING	3		Under Sized = 0.25 MM (0.010 IN)
4	M811880	BUSHING	3		
5	MIA881560	PISTON	3	____-310000	STD
5	MIA881528	PISTON	3	____-310000	Over Sized = 0.25 MM (0.010 IN)
5	MIA882286	PISTON	3	310001-____	STD
6	MIA881562	PISTON RING KIT	1	____-310000	STD
6	MIA881563	PISTON RING KIT	1	____-310000	Over Sized = 0.25 MM (0.010 IN)
6	MIA882279	PISTON RING KIT	3	310001-____	STD
6	MIA882310	PISTON RING KIT	3	310001-____	Over Sized = 0.25 MM (0.010 IN)
7	CH11486	RING	6		
8	MIU800313	PISTON PIN	3	____-310000	
8	M811869	PISTON PIN	3	310001-____	
9	CONNECTING ROD	1		



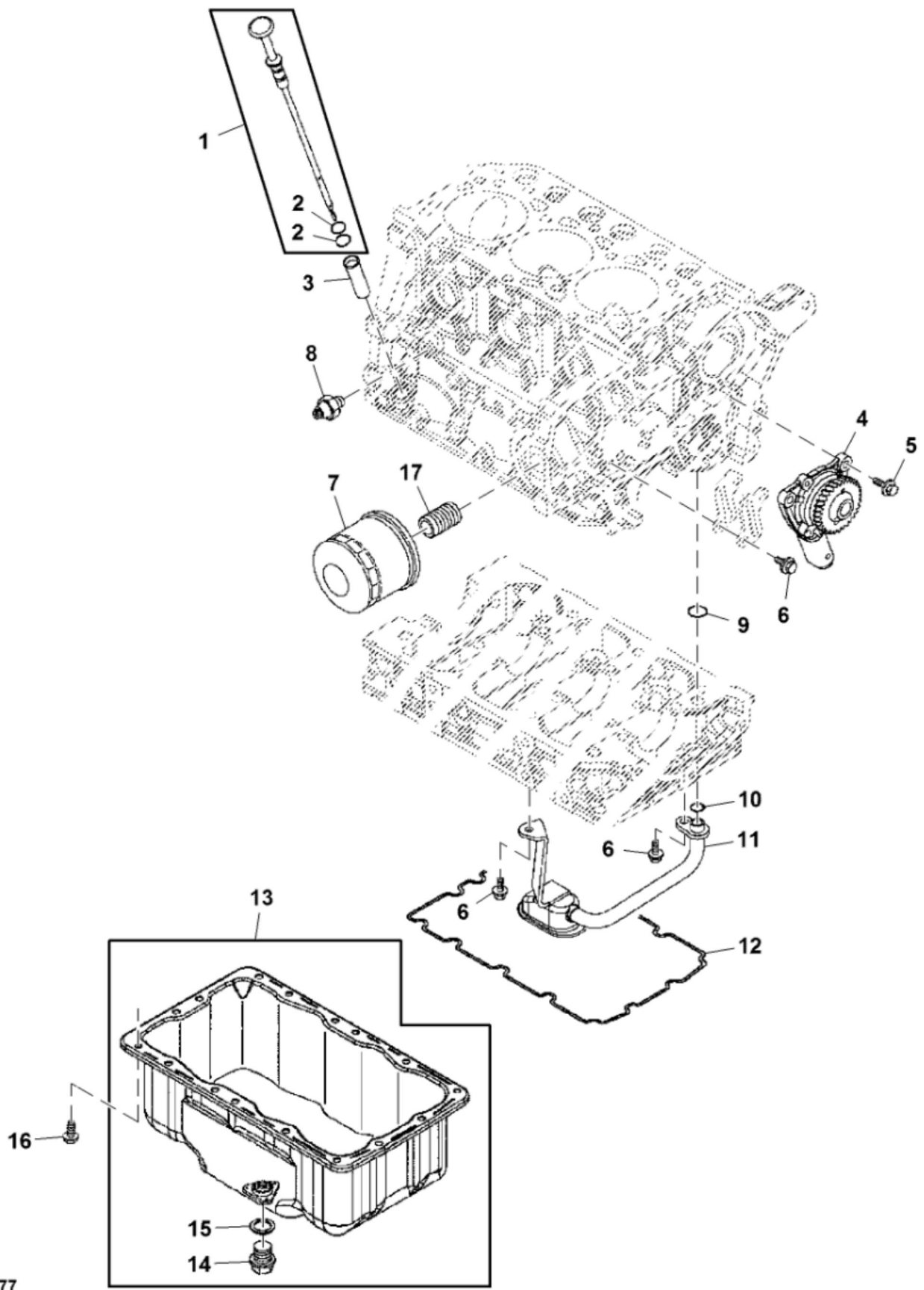
MP43825

KEY	PART NO.	PART NAME	QTY	REMARKS
1	M800100	BOLT	6	
2	M811981	SCREW	2	
3	MIU800301	COVER	1	
4	M807374	SCREW	8	
5	AM882461	DIAPHRAGM	1	
6	M811649	COVER	1	
7	M811650	SPRING	1	
8	M811046	PLATE	1	
9	M811958	DIAPHRAGM	1	
10	MIU800300	GASKET	1	
11	M811836	DEFLECTOR	2	
12	M811835	PLATE	1	
13	M811836	DEFLECTOR	1	
14	COVER	1	
15	MIU800302	PLATE	1	
16	MIA880279	HYDRAULIC HEAD AND ROTOR	1	
17	M805710	CAP	1	
18	M805711	PACKING	1	
19	19M7862	SCREW	3	M6 X 20
20	M64850	SEALANT	AR	



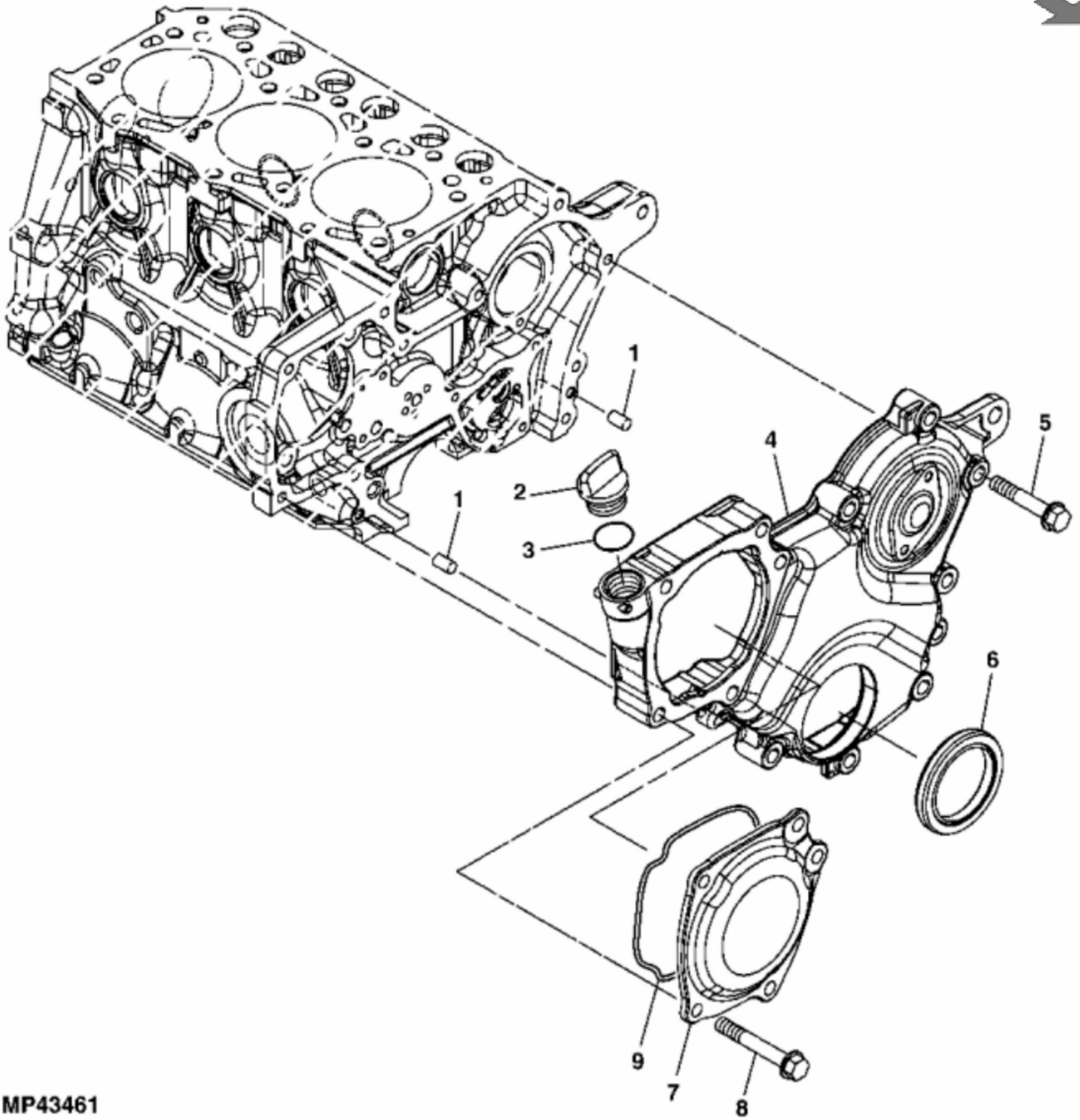
LV294376

KEY	PART NO.	PART NAME	QTY	Engine Serial No.	REMARKS
1	MTU800308	PUSH ROD	6		
2	M87813	TAPPET	6		
3	MIA881525	CAMSHAFT	1		
4	M87812	SHAFT KEY	1		
5	M87810	FLANGE	1		
6	19M7774	BOLT	2		
7	MTU801591	BUSHING	1		
8	MIA881529	GEAR	1		
9	MTU801592	GEAR	1		
10	19M7657	SCREW	4	____-310000	M8 X 25
10	MTU802524	BOLT	4	310001-____	
11	MTU801570	GASKET	1		
12	MTU801589	SHAFT	1		
13	MTU801552	IDLER GEAR	1		
14	19M7797	SCREW	3		M6 X 40
15	RG60871	BOLT	4		



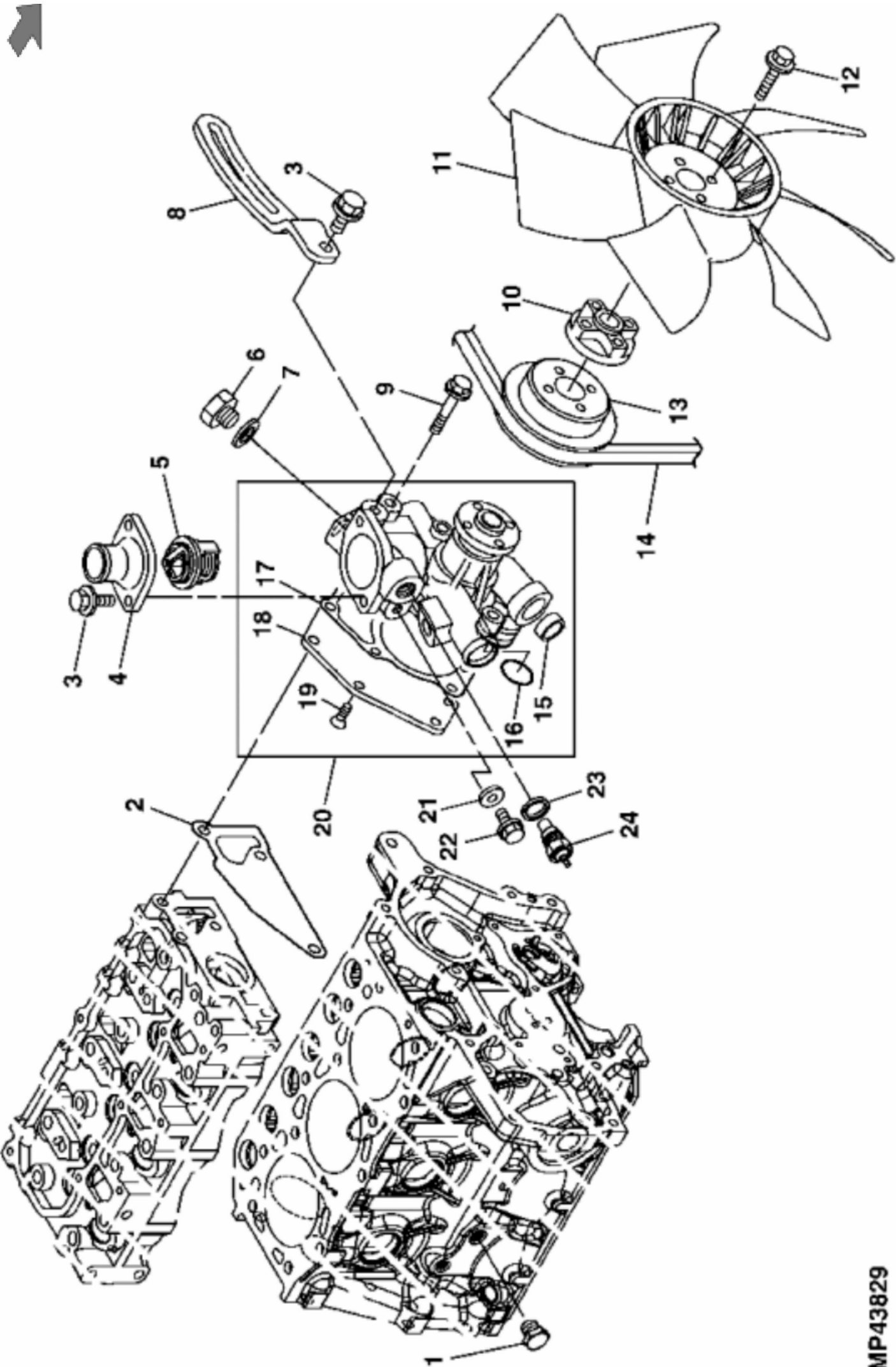
LV294377

KEY	PART NO.	PART NAME	QTY	REMARKS
1	MIU801553	DIPSTICK	1	
2	MIU801596	O-RING	2	
3	MIU801586	GUIDE	1	
4	MIA881542	OIL PUMP	1	
5	CH19140	BOLT	3	
6	19M7300	BOLT	4	
7	M806418	FILTER	1	
8	M809526	SWITCH	1	
9	AT211671	O-RING	1	
10	M807355	O-RING	1	
11	MIA881530	PIPE	1	
12	M64850	SEALANT	AR	2.8 OZ TUBE
13	MIA881685	RESERVOIR	1	
14	T111565	PLUG	1	
15	WASHER	1	ORDER MIA883635
16	MIU801569	BOLT	16	
17	MIU801676	BOLT	1	

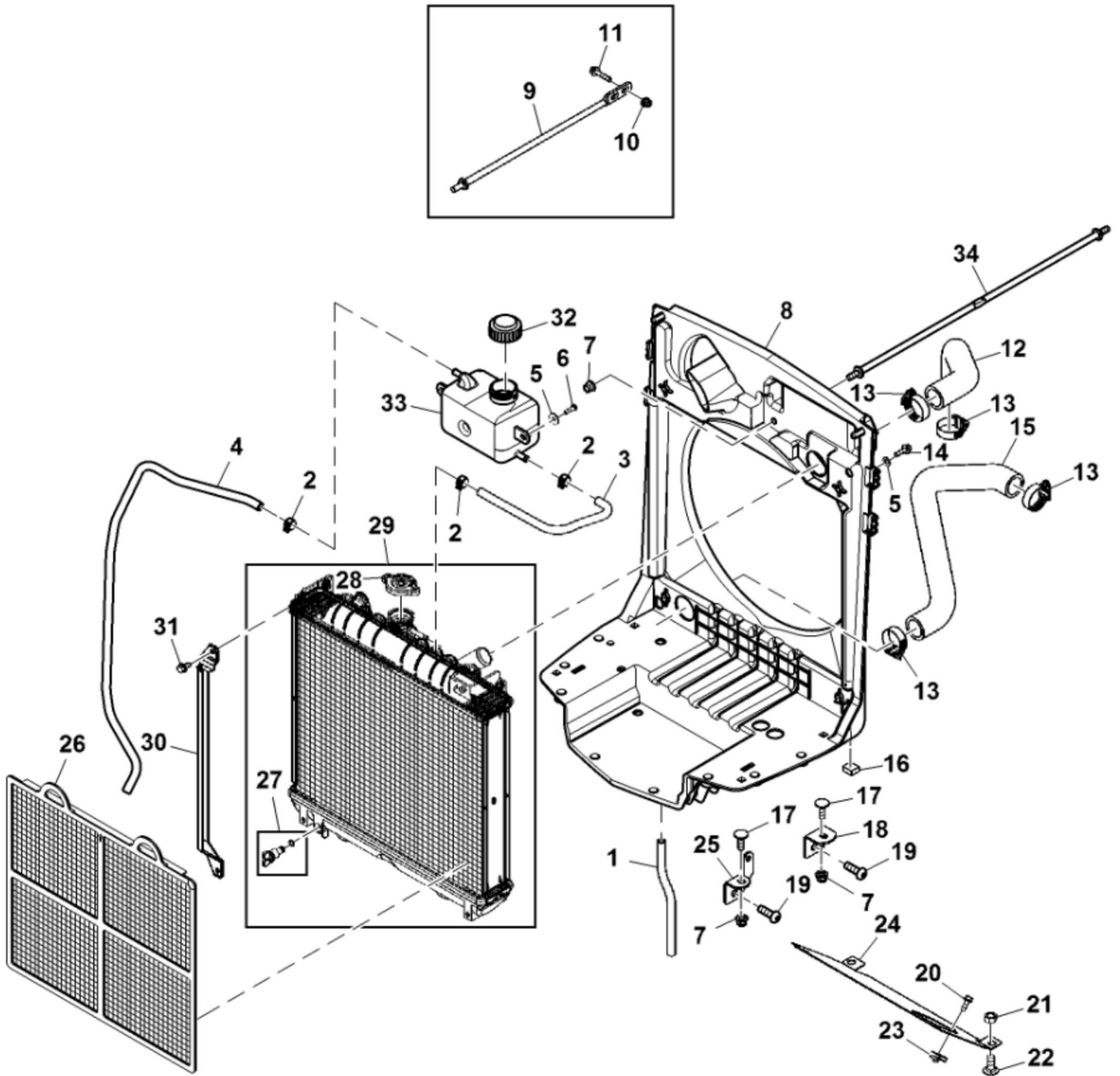


MP43461

KEY	PART NO.	PART NAME	QTY	REMARKS
1	M802254	PIN	2	
2	MIU801536	CAP	1	
3	CH14634	O-RING	1	
4	MIU801540	GEAR CASE	1	
5	CH19090	BOLT	8	
6	M811563	SEAL	1	
7	MIU801568	COVER	1	
8	CH19101	BOLT	5	
9	M64850	LIQUID GASKET	AR	2.8 OZ, TUBE



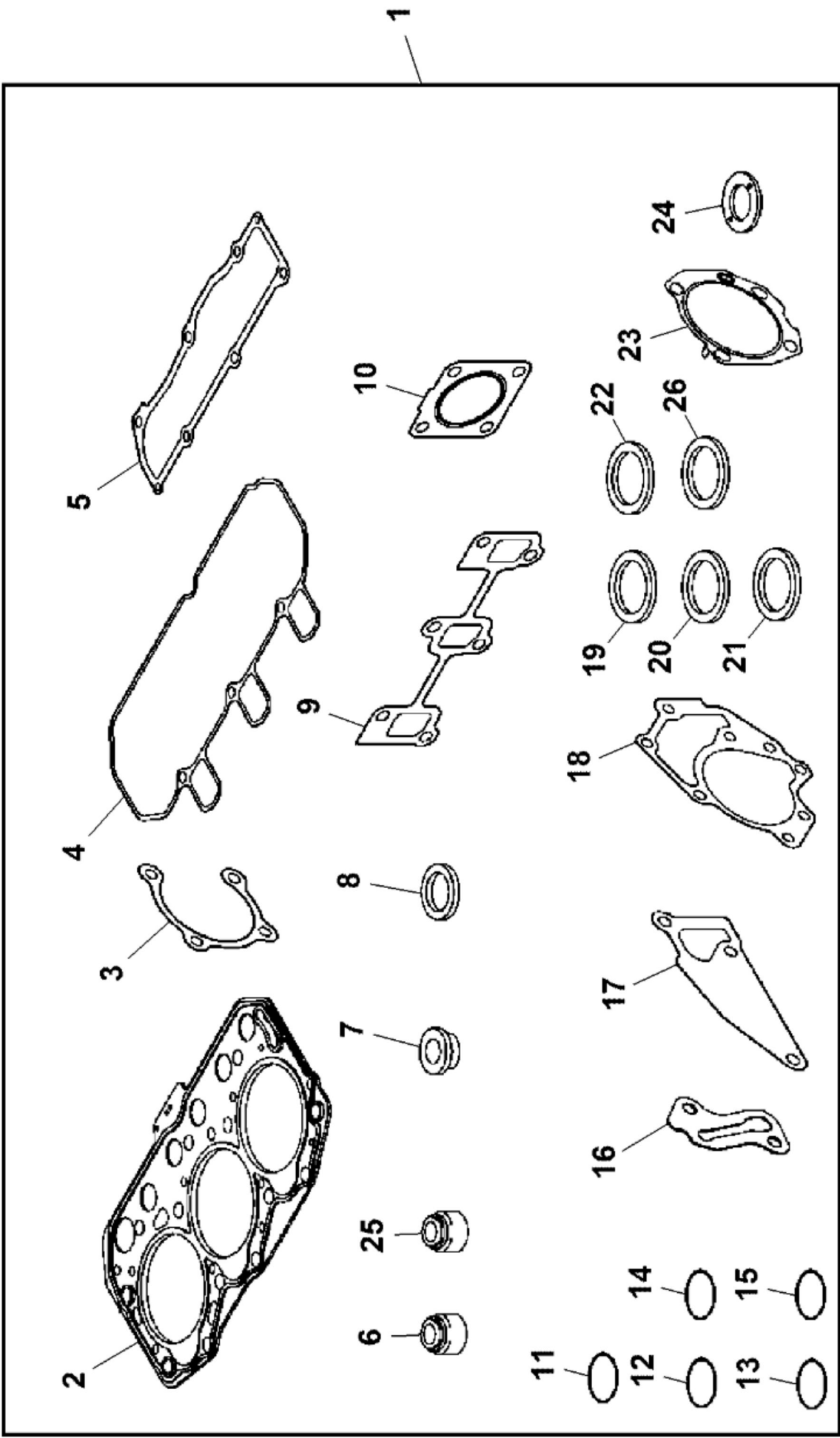
KEY	PART NO.	PART NAME	QTY	REMARKS
1	M112792	DRAIN PLUG	1	
2	MIU800322	GASKET	1	
3	19M7866	BOLT	3	
4	CH15535	COVER	1	
5	M811895	THERMOSTAT	1	
6	M800312	PLUG	1	
7	CH13814	WASHER	1	
8	LVU24754	ADJUSTING STRAP	1	SUB FOR LVU23712; ALTERNATOR
9	CH19101	BOLT	3	
10	M802628	SPACER	1	
11	MIU800073	FAN	1	
12	M87871	BOLT	4	
13	M1A880084	PULLEY	1	
14	MIU800681	V-BELT	1	SUB FOR MIU800349
15	CH16749	PLUG	1	
16	MIU801653	O-RING	1	
17	MIU801555	PACKING	1	
18	MIU801727	COVER	1	
19	21M7194	SCREW	5	M6 X 12
20	M1A881681	WATER PUMP	1	
21	CH10554	PACKING	1	
22	19M7864	BOLT	1	
23	T110737	GASKET	1	
24	T110736	SENSOR	1	



LV290230

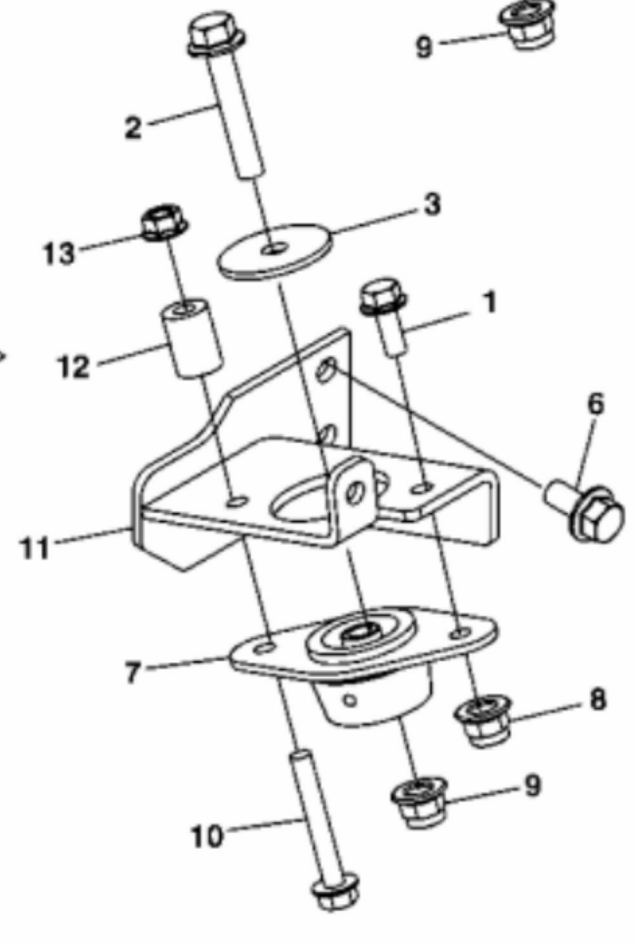
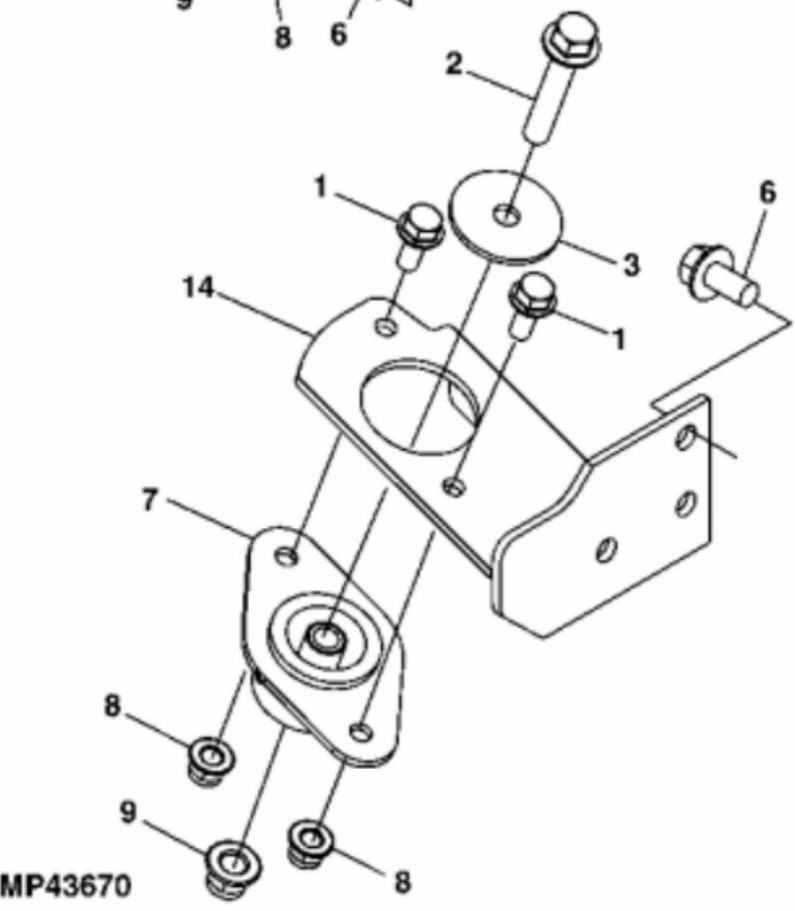
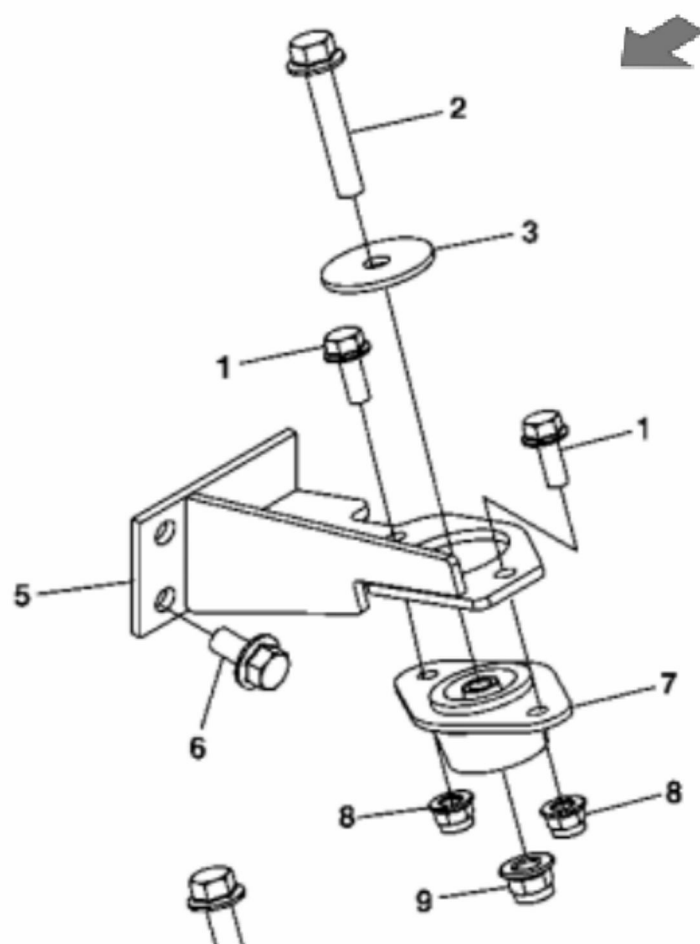
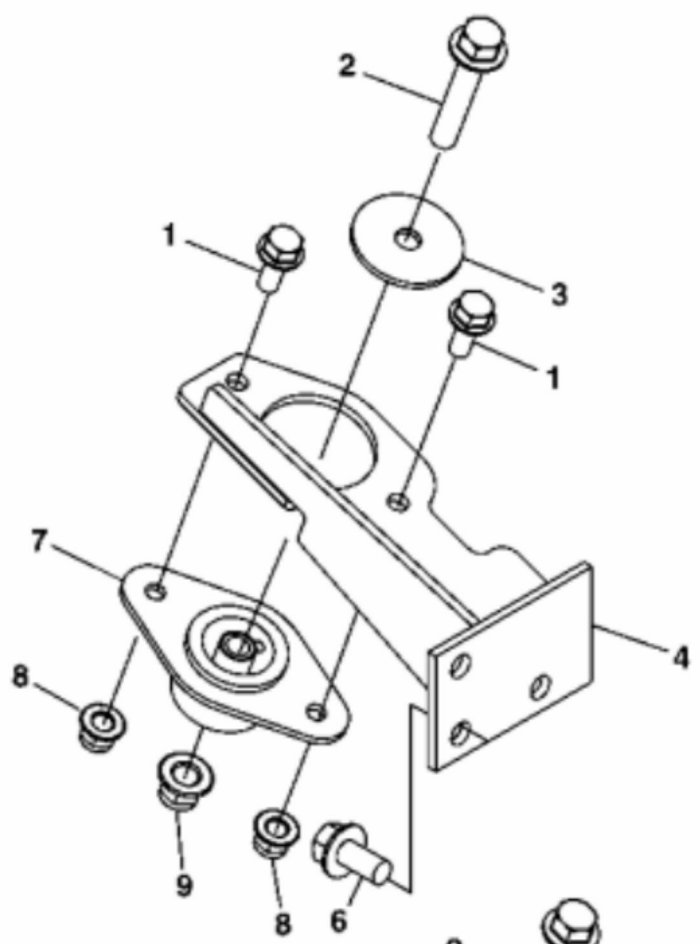
KEY	PART NO.	PART NAME	QTY	Serial No.	REMARKS
1	HOSE	AR		CTL 204 mm, MF R109375
2	R56101	CLIP	3		
3	HOSE	AR		CTL 280 mm, MF R109375
4	HOSE	AR		CTL 876 mm, MF R109375
5	24M7139	WASHER	6		6.400 X 18 X 1.600 mm
6	H111705	SCREW	2		
7	14M7396	LOCK NUT	5		M8
8	LVU29997	SHROUD	1		SUB FOR LVUJ26807
9	LVU21718	ROD	1		
10	19M7796	SCREW	2		M6 X 30
11	14M7397	LOCK NUT	2		M6
12	LVU21721	RADIATOR HOSE	1		Upper
13	TY22467	CLAMP	4	210001-_____	SUB FOR AR21839
14	19M7862	BOLT	4		
15	LVU21722	RADIATOR HOSE	1		Lower
16	LVU23828	PAD	1		MAKE FROM R210080
17	03M7093	BOLT	4		M8 X 25
18	LVU22316	ANGLE	2		Support
19	H148835	BOLT	4		
20	19M7775	BOLT	2		
21	14M7274	NUT	2		M10
22	03M7191	BOLT	2		M10 X 25
23	M84972	NUT	2		
24	LVU24345	DEFLECTOR	1		SUB FOR LVUJ22961
25	LVU22314	SUPPORT	1		LH
25	LVU22315	SUPPORT	1		RH
26	LVA17707	SCREEN	1		SUB FOR LVA16331
27	LVA12796	DRAIN PLUG	1		
28	TCU31996	FILLER CAP	1		SUB FOR M807428
29	LVA16455	RADIATOR	1		
30	LVU21726	GUIDE	1		RH
30	LVU21727	GUIDE	1		LH
31	19M7774	BOLT	4		
32	R99771	CAP	1		SUB FOR LVUJ28507

KEY	PART NO.	PART NAME	QTY	Serial No.	REMARKS
33	LVU29621	RADIATOR RESERVOIR	1		
34	LVU27925	ROD	1		SUB FOR LVU25417



LV294378

KEY	PART NO.	PART NAME	QTY	Serial No.	REMARKS
1	MIU801560	GASKET KIT	1	____-310000	
1	MIA882313	GASKET KIT	1	310001-____	
2	MIU801539	ENGINE CYLINDER HEAD GASKET	1	____-310000	
2	MIA882277	GASKET KIT	1	310001-____	
3	MIU801570	GASKET	1		
4	MIU800300	GASKET	1		
5	MIU800302	GASKET	1		
6	M811850	SEAL	3		VALVE STEM
7	M811967	SHIELD	3		NOZZLE
8	M89135	GASKET	6		NOZZLE
9	M811857	GASKET	1		INTAKE MANIFOLD
10	M811089	GASKET	1		Muffler; SUB FOR M811809
11	AT211671	O-RING	1		
12	MIU801596	O-RING	1		
13	M807355	O-RING	1		
14	M809962	O-RING	1		
15	CH14634	O-RING	2		
16	GASKET	1		STEEL
17	MIU800322	GASKET	1		
18	MIU801555	PACKING	1		
19	CH13814	WASHER	1		
20	M806438	WASHER	5		SUB FOR M811567
21	WASHER	1		
22	CH10554	PACKING	1		
23	GASKET	1		
24	M811968	GASKET	3		
25	M811851	SEAL	3		
26	M811568	WASHER	1	310001-____	



MP43670

KEY	PART NO.	PART NAME	QTY	REMARKS
1	19M7866	BOLT	7	
2	19M8528	BOLT	4	
3	24H1314	WASHER	4	13/32" X 1-3/4" X 7/64"
4	LVA16508	BRACKET	1	RH REAR
5	LVA16509	BRACKET	1	LH REAR
6	19M7784	BOLT	12	
7	LVA15738	ISOLATOR	4	
8	14M7396	LOCK NUT	7	M8
9	14M7400	LOCK NUT	4	M10
10	19M7979	BOLT	1	
11	LVA16325	BRACKET	1	LH FRONT
12	LVU23487	SPACER	1	
13	14M7298	FLANGE NUT	1	M8
14	LVA16324	BRACKET	1	RH FRONT

Please write to us.

Our email:

aservicemanualpdf@yahoo.com

**Please go to the homepage
to get the full manual, or
other brand PDF manuals.**

Home Site:

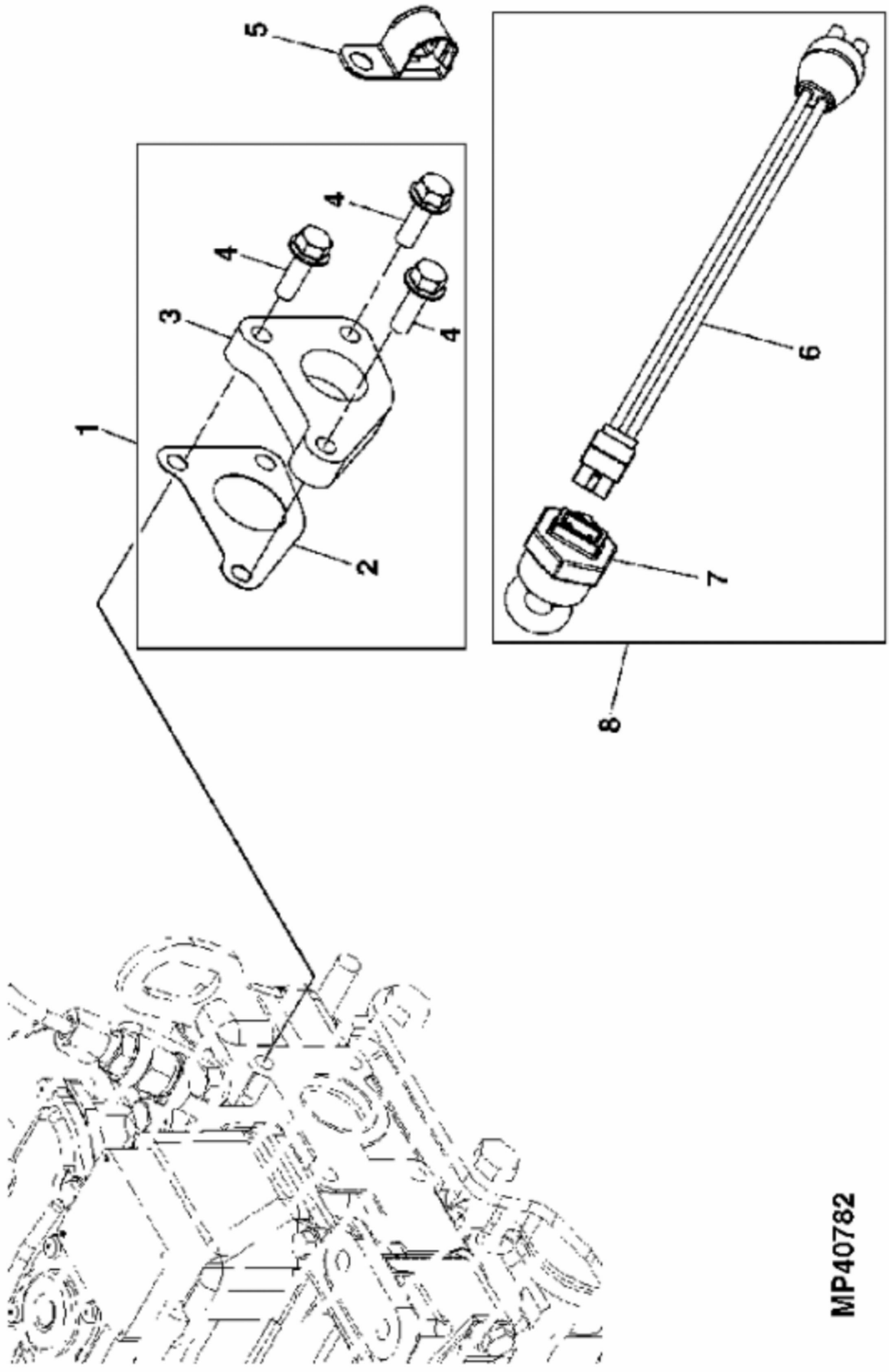
aservicemanualpdf.com

Thank you very much for your reading. Please Click Here. Then Get COMPLETE MANUAL. NO WAITING



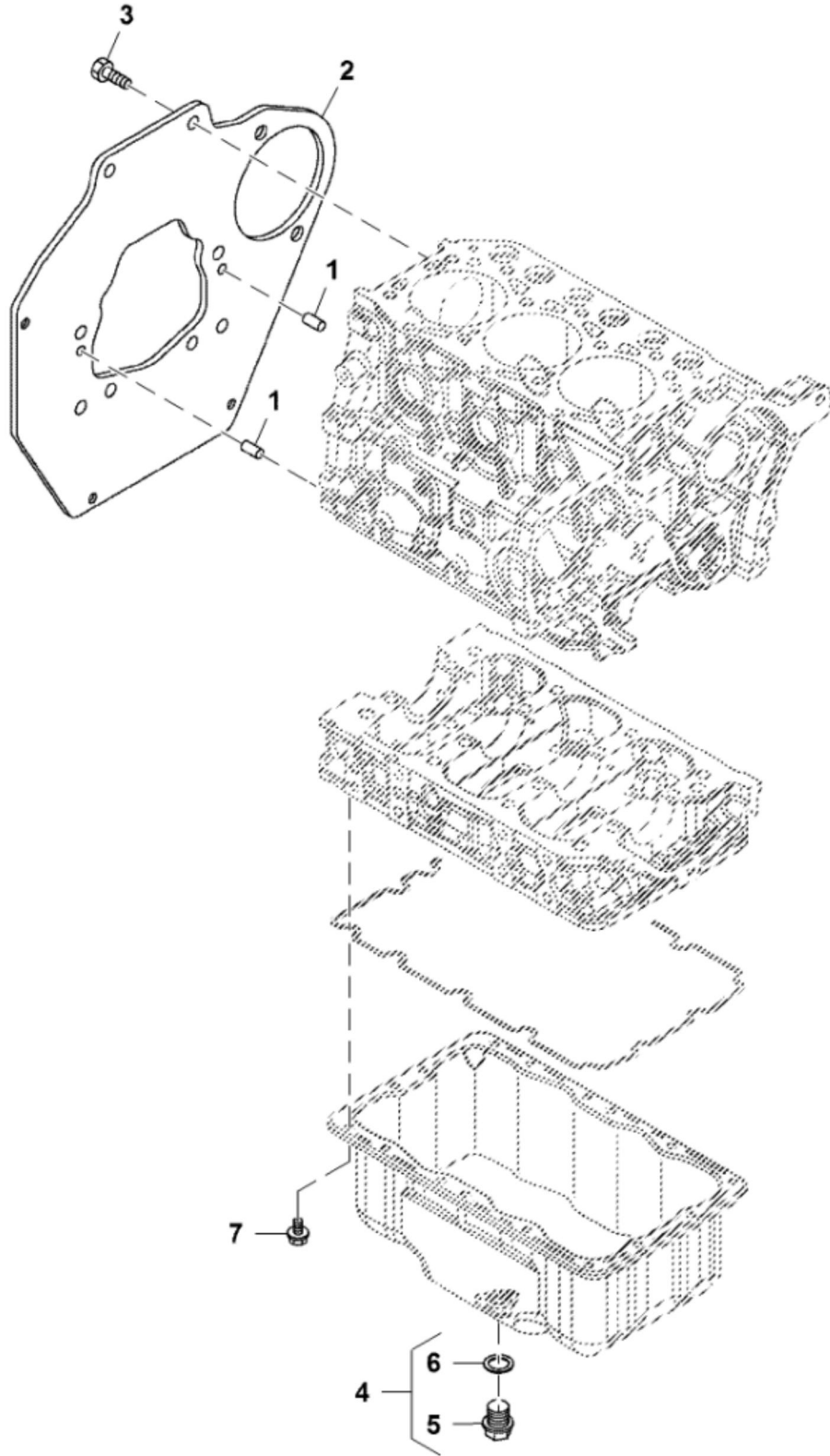
NOTE:

If there is no response to click on the link above, please download the PDF document first and then click on it.



MP40782

KEY	PART NO.	PART NAME	QTY	REMARKS
1	MIA881629	ADAPTER KIT	1	
2	MIU801525	GASKET	1	
3	MIU801524	ADAPTER	1	
4	19M7867	BOLT	3	
5	57M9425	CLAMP	1	
6	AR87168	POWER CORD	1	
7	AR87184	COOLANT HEATER	1	
8	AR87167	HEATER KIT	1	



LV294948