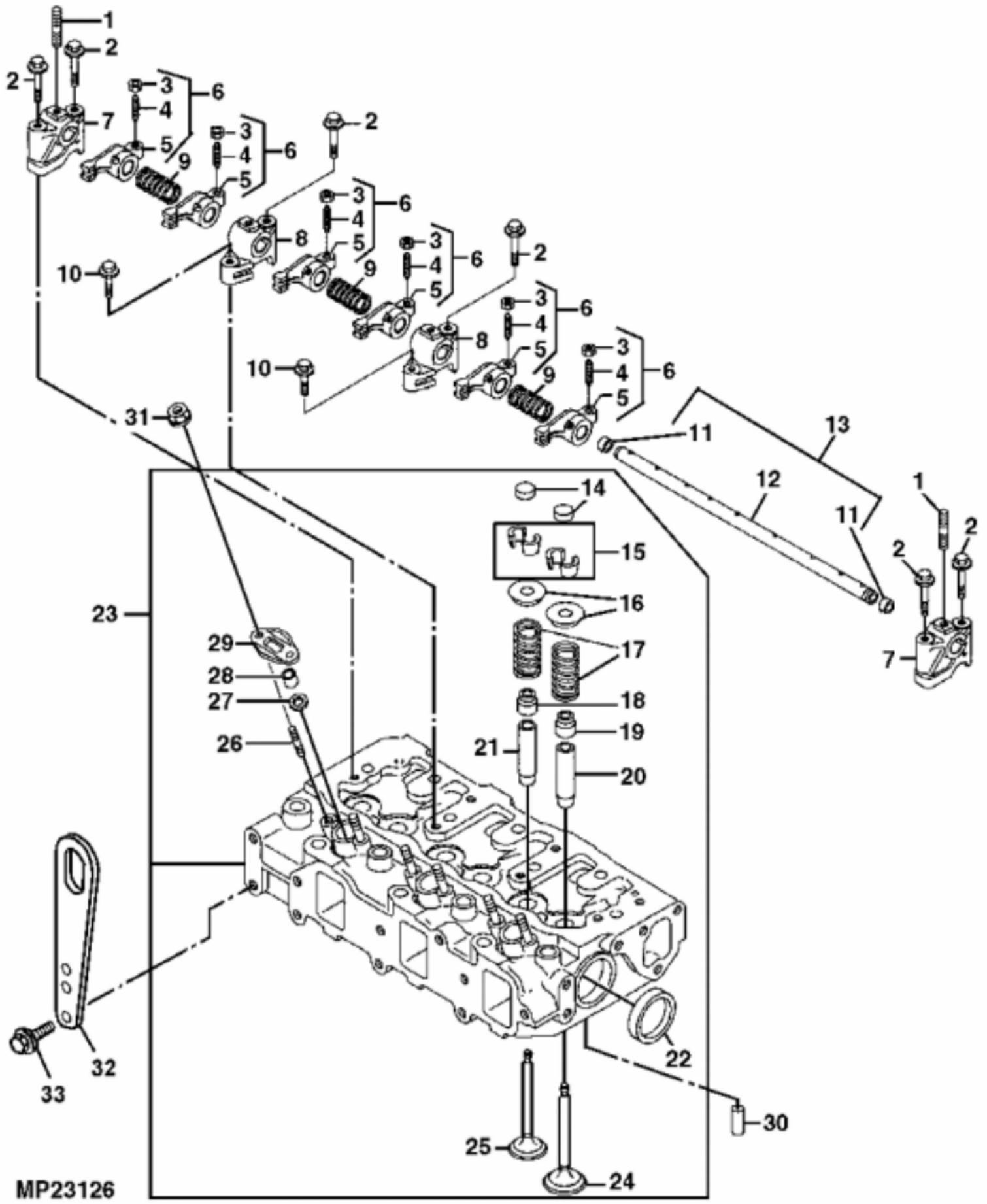


MP18654

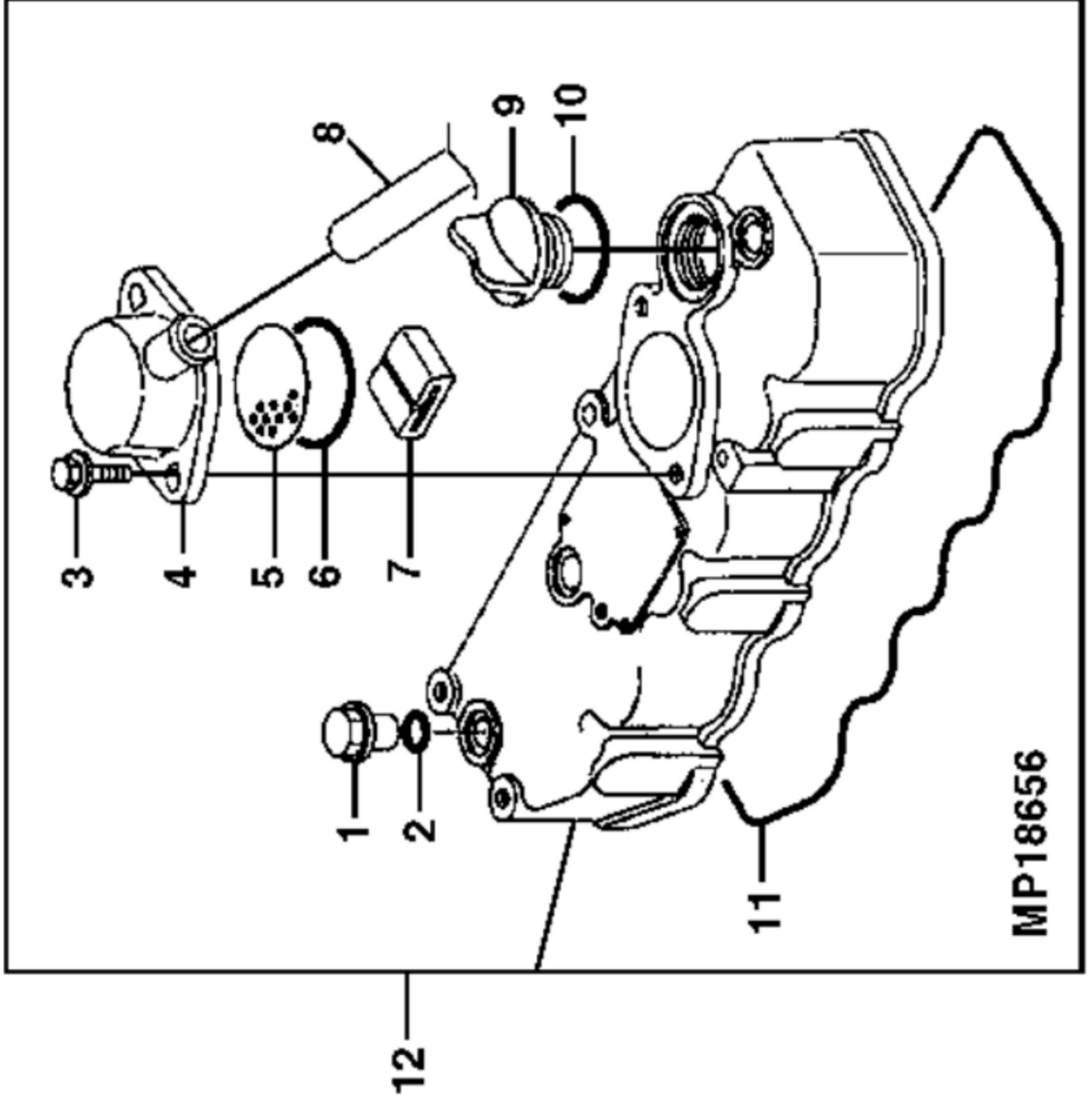
KEY	PART NO.	PART NAME	QTY	REMARKS
1	M801186	BOLT	14	
2	M806811	ENGINE CYLINDER HEAD GASKET	1	
3	AM878845	CYLINDER BLOCK	1	
4	CH10335	PLUG	3	
5	PT13744	PLUG	1	(ENGINE MARKED 3TNE88-JT44) (SUB FOR CH13504)
5	EPC200680	PLUG	1	(ENGINE MARKED 3TNE88-EJTS)
6	M802255	PIN	4	
7	M806840	PLUG	1	(SUB FOR M800973)
8	CH18079	SPRING PIN	2	
9	30M7023	PLUG	6	
10	15H562	PIPE PLUG	1	1"
11	M800977	BUSHING	1	CAMSHAFT
12	M800978	SHAFT	1	IDLER
13	CH19101	BOLT	2	
14	M87801	PLUG	2	
15	M800974	PIPE	2	
16	MIA880555	BEARING	2	THRUST, (SUB FOR AM875373)
17	AM875371	BEARING KIT	4	MAIN, STD
17	MIA880550	BEARING	4	25MM (.010") US, MAIN, (SUB FOR AM875374)
18	BEARING CAP	3	
19	M801189	BOLT	8	
20	BEARING CAP	1	
21	LVU10331	SHIELD	1	AIRDAM, RH
21	LVU10270	SHIELD	1	AIRDAM, RH (EXPORT) (SUB FOR M130310)
22	LVU10334	SHIELD	1	AIRDAM, LH
22	M130311	SHIELD	1	AIRDAM, LH (EXPORT)
23	19M7783	BOLT	1	
24	19M7864	BOLT	2	
25	19M7866	BOLT	1	
26	19M7783	BOLT	1	
27	14M7298	FLANGE NUT	1	M8
..	AM122415	DIESEL ENGINE	1	(MARKED 3TNE88-JT44) (SUB AM880569)
..	AM129539	DIESEL ENGINE	1	(MARKED 3TNE88-EJT) (SUB AM880569)
..	AM129998	DIESEL ENGINE	1	(MARKED 3TNE88-EJTS) (SUB AM880569)

KEY	PART NO.	PART NAME	QTY	REMARKS
..	AM880569	SHORT BLOCK ASSEMBLY	1	
..	LVU10364	SEAL	1	AIRDAM SHIELD, RH
..	LVU10367	SEAL	1	AIRDAM SHIELD, LH
..	LVU10366	SEAL	1	AIRDAM SHIELD, BOTTOM



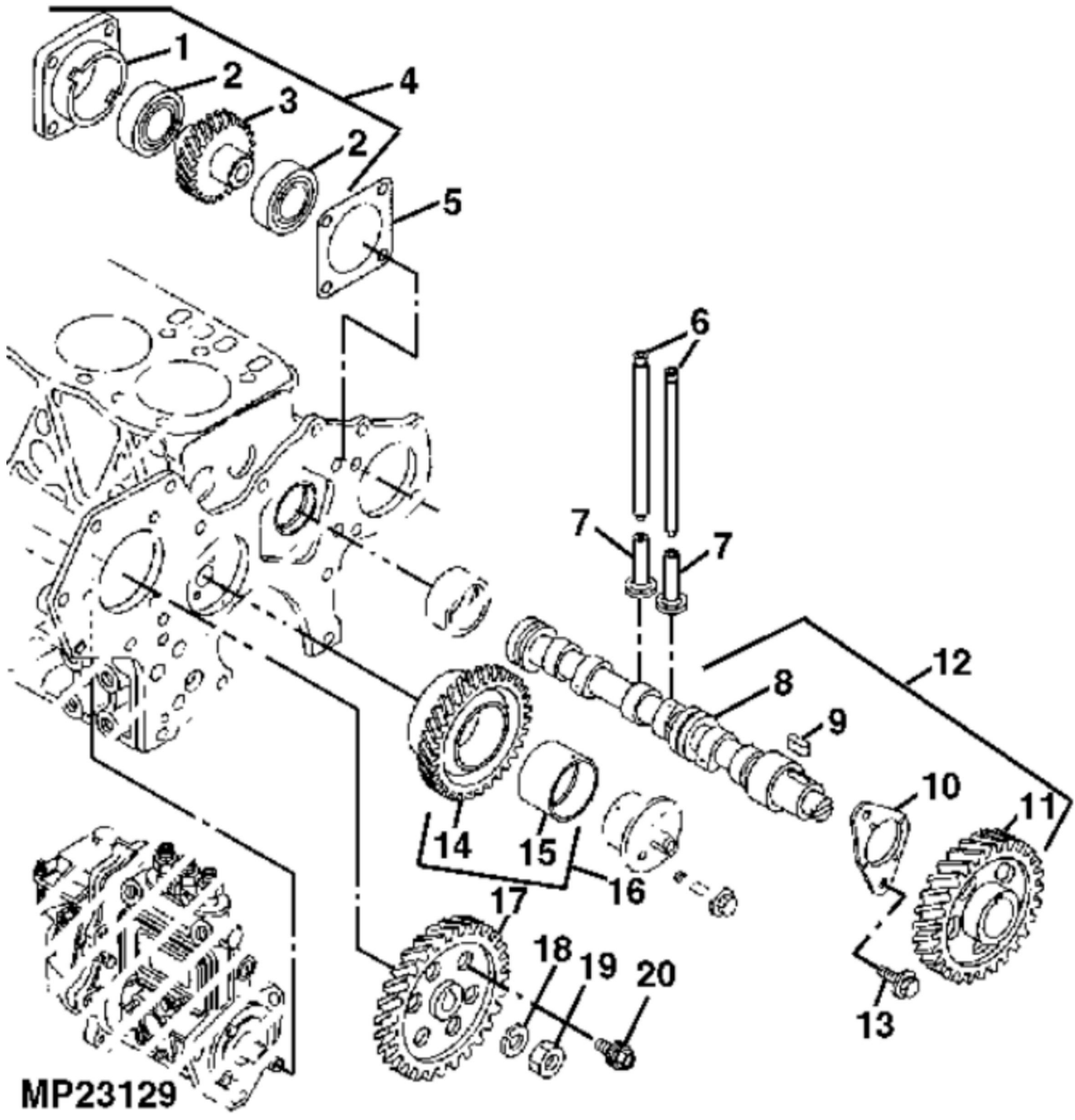
MP23126

KEY	PART NO.	PART NAME	QTY	REMARKS
1	M801024	STUD	3	
2	19M7800	BOLT	6	
3	M801028	NUT	1	
4	M801027	SCREW	1	
5	ROCKER ARM	1	
6	AM875383	ROCKER ARM	6	
7	M801022	SUPPORT	2	ROCKER ARM
8	M801023	SUPPORT	2	ROCKER ARM
9	M801025	SPRING	3	
10	19M7867	BOLT	2	
11	M800002	PLUG	2	
12	ROCKER ARM SHAFT	1	
13	AM875534	SHAFT	1	SUPPORT
14	M801224	CAP	6	
15	AM878862	RETAINER KIT	3	(2 PER PKG), VALVE
16	M801223	RETAINER	6	SPRING
17	M801222	SPRING	6	VALVE
18	T110650	SEAL	3	EXHAUST VALVE
19	CH10450	SEAL	3	INTAKE VALVE
20	M801227	GUIDE	3	INTAKE VALVE
21	M801228	GUIDE	3	EXHAUST VALVE
22	CH16751	PLUG	2	
23	AM878547	CYLINDER HEAD	1	(ENGINE MARKED 3TNE88-JT44)
23	AM880362	CYLINDER HEAD	1	(ENGINE MARKED 3TNE88-EJTS)
24	M801220	INTAKE VALVE	3	
25	MIU800494	EXHAUST VALVE	3	(SUB FOR M801221)
26	M801219	STUD	6	
27	M801017	VALVE SEAT	3	
28	M801016	SEAL	3	(SUB FOR M810460 OR M806732)
29	M801018	RETAINER	3	
30	CH18079	SPRING PIN	2	
31	14M7303	FLANGE NUT	6	M6
32	AT211695	LIFT ARM	2	
33	19M7865	BOLT	4	

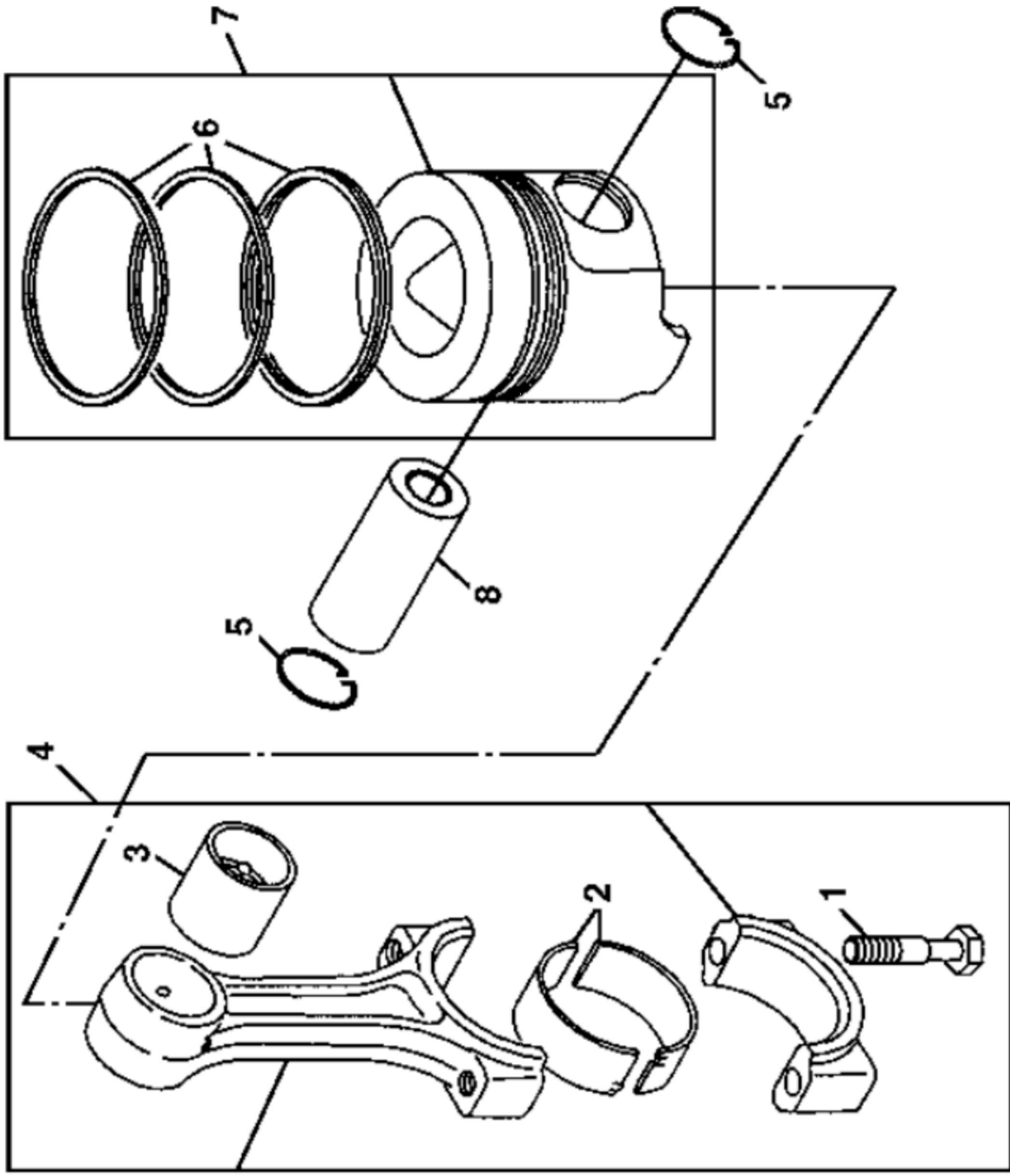


MP18656

KEY	PART NO.	PART NAME	QTY	REMARKS
1	CH10348	NUT	3	
2	CH10568	PACKING	3	
3	19M7865	BOLT	2	
4	M801031	CAP	1	
5	M801033	PLATE	1	
6	M801034	O-RING	1	
7	M801032	DEFLECTOR	1	
8	M804268	HOSE	1	BREATHER
9	M805710	CAP	1	
10	M805711	PACKING	1	
11	M801741	GASKET	1	
12	AT110858	VALVE COVER	1	

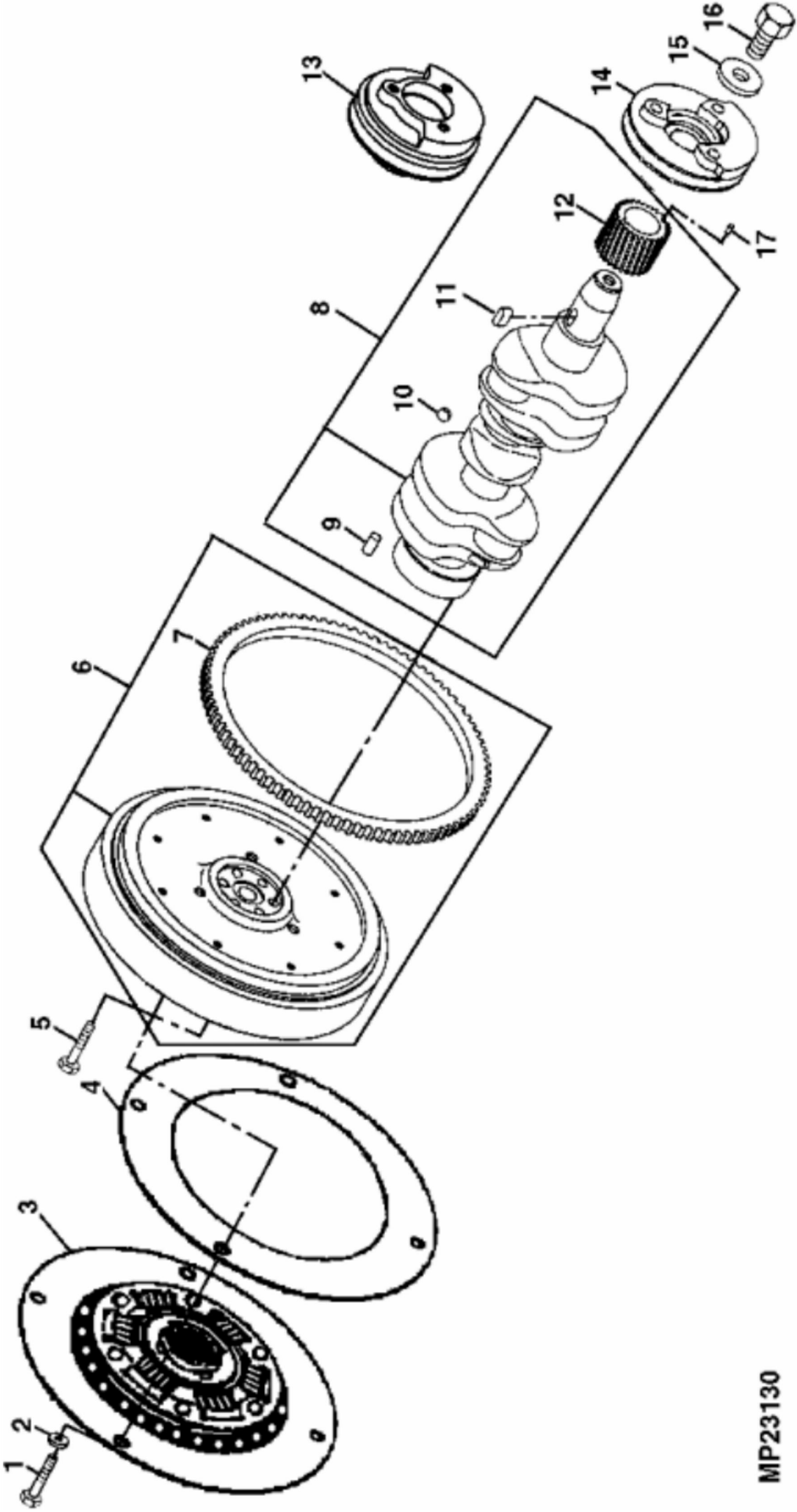


KEY	PART NO.	PART NAME	QTY	REMARKS
1	M802618	BRACKET	1	
2	CH13505	BALL BEARING	2	
3	GEAR	1	
4	AM876339	GEAR	1	H.I.O. PUMP
5	M805840	GASKET	1	
6	M801238	PUSH ROD	6	
7	M801046	CAM FOLLOWER	6	
8	CAMSHAFT	1	
9	M801045	SHAFT KEY	1	
10	THRUST BEARING	1	
11	GEAR	1	
12	AM876430	CAMSHAFT	1	
13	CH19780	BOLT	2	
14	GEAR	1	IDLE
15	M801050	BUSHING	1	
16	AM875315	GEAR	1	
17	M801239	GEAR	1	FUEL INJECTION PUMP
18	12M7067	LOCK WASHER	1	12 mm
19	14M7275	NIUT	1	M12
20	BOLT	4	(ENGINE MARKED 3TNE88-EJTS)



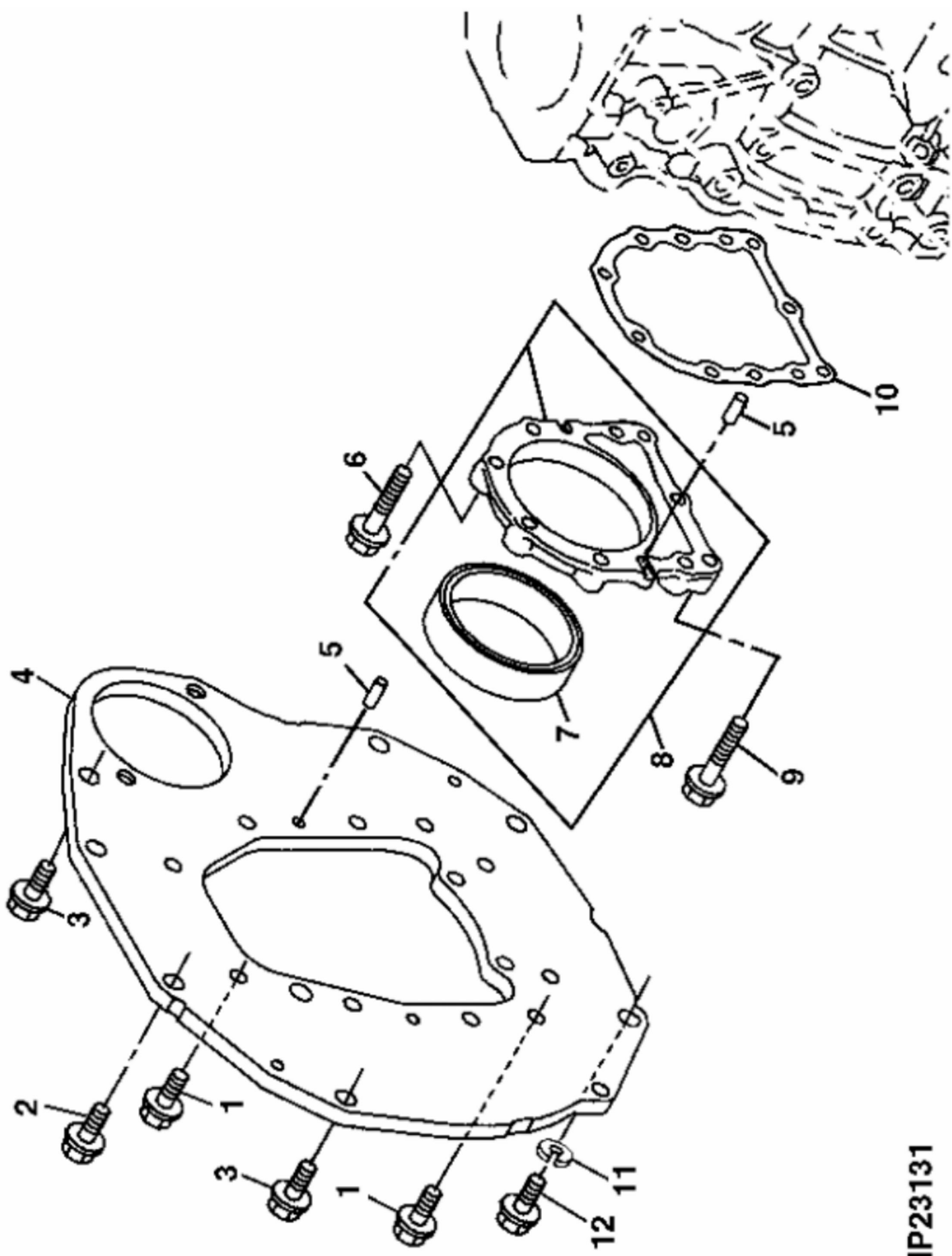
MP18666

KEY	PART NO.	PART NAME	QTY	REMARKS
1	CH15483	BOLT	2	
2	M1A880563	BEARING	1	STD, (SUB FOR AM875392)
2	M1A880568	BEARING	1	.25 MM (.010") US, (SUB FOR AM875395)
3	M801256	BEARING	1	
4	AM875391	CONNECTING ROD	3	
5	M806457	CLIP	6	
6	AM879901	PISTON RING KIT	1	STD
6	AM878642	PISTON RING KIT	1	.25 MM (.010") OS
7	AM879953	PISTON	3	STD (ENGINE MARKED 3TNE88-JT44)
7	AM878641	PISTON	3	.25 MM (.010") OS, (ENGINE MARKED 3TNE88-JT44)
7	AM880521	PISTON	3	STD (ENGINE MARKED 3TNE88-EJTS)
7	AM880518	PISTON	3	.25 MM (.010") OS, (ENGINE MARKED 3TNE88-EJTS)
8	M806456	PISTON PIN	3	



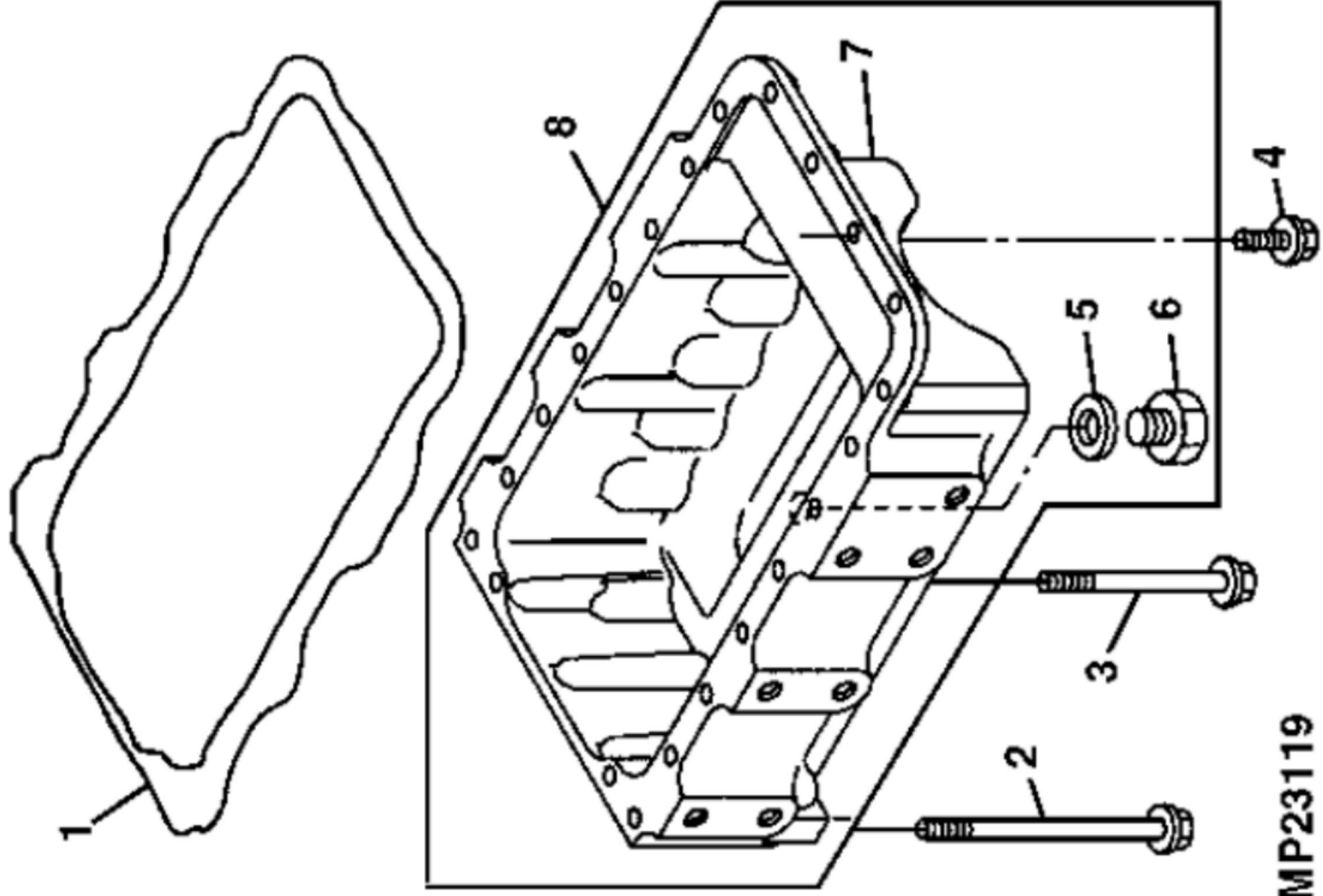
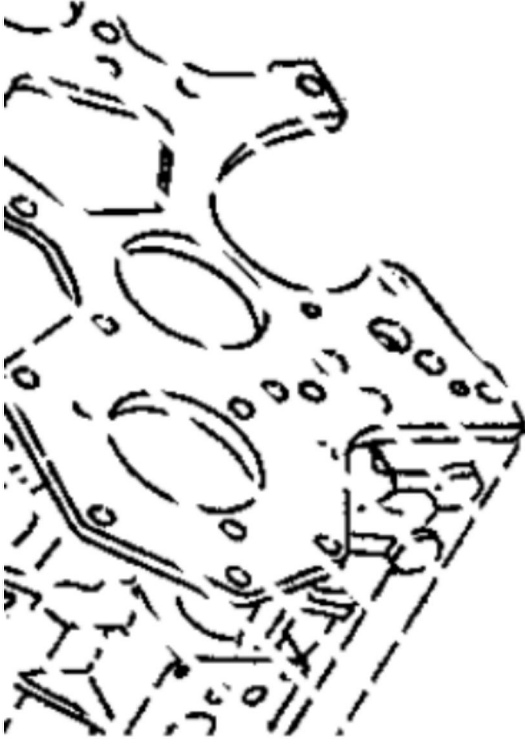
MP23130

KEY	PART NO.	PART NAME	QTY	REMARKS
1	19M7662	CAP SCREW	4	M10 X 30
2	24M7096	WASHER	4	10.500 X 18 X 1.600 mm
3	LVA14914	TORSIONAL DAMPER	1	(SUB FOR AM128374, AM127829, AM126365, LVA10906, LVA12293 OR LVA13911)
4	LVU11630	WASHER	1	
5	CH19291	BOLT	6	
6	AM880930	FLYWHEEL	1	(SUB FOR AM879898)
7	CH10466	GEAR	1	
8	AM880894	CRANKSHAFT	1	(SUB FOR AM878552)
9	M802255	PIN	1	
10	400R	BALL	3	6.350 mm
11	M801045	SHAFT KEY	1	
12	M801053	GEAR	1	(NLA)
13	M809548	PULLEY	1	CRANKSHAFT (ENGINE MARKED 3TNE88-EJTS)
14	M808647	PULLEY	1	CRANKSHAFT (ENGINE MARKED 3TNE88-JT44)
15	M801055	WASHER	1	
16	CH16798	BOLT	1	
17	CH12293	PIN	1	



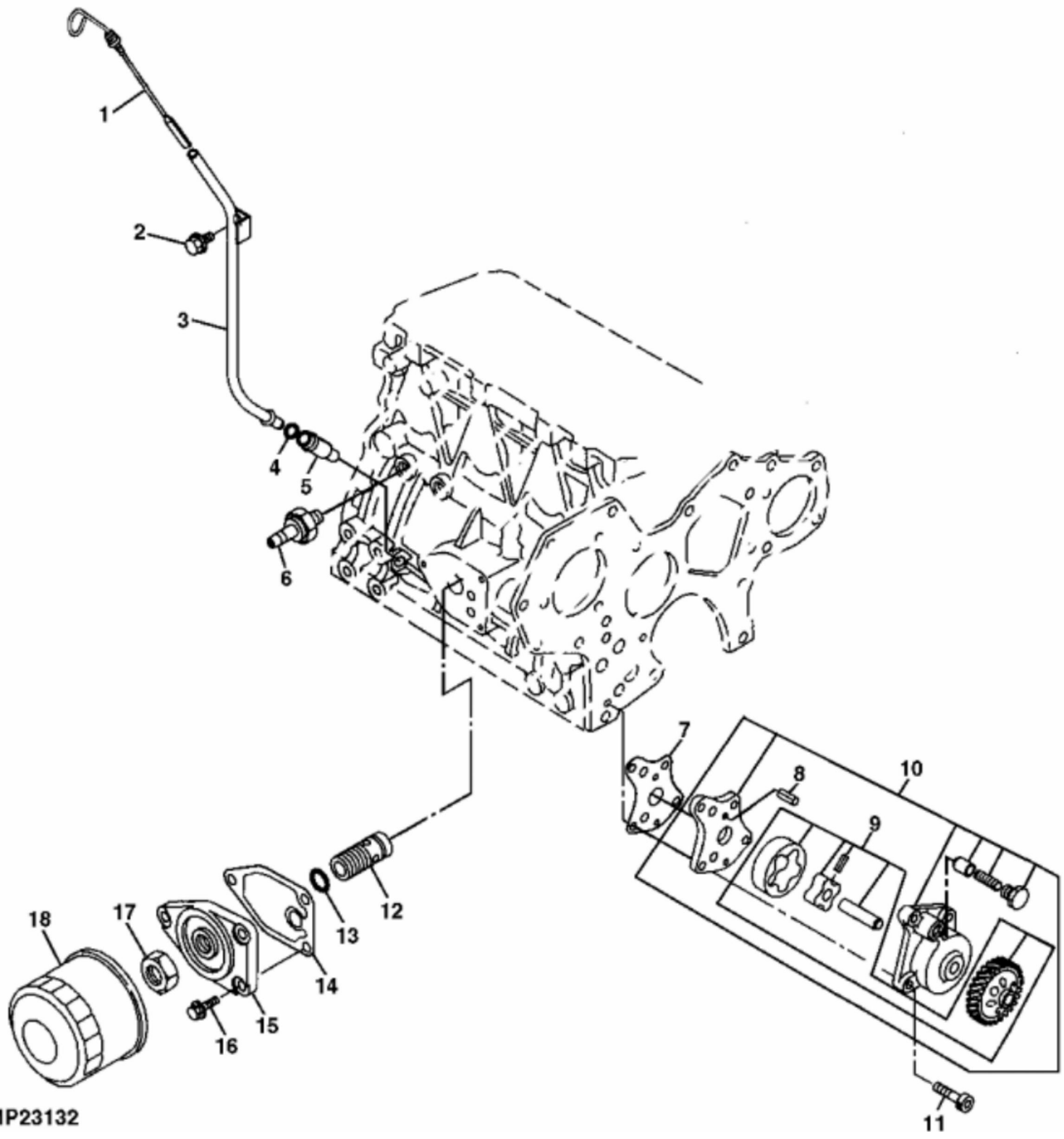
MP23131

KEY	PART NO.	PART NAME	QTY	REMARKS
1	M800011	BOLT	8	M10 X 20
2	19M8983	BOLT	2	
3	19M7790	BOLT	4	
4	M808634	FLANGE	1	MOUNTING
5	M802255	PIN	2	
6	M808308	BOLT	6	M8 X 30
7	M805278	SEAL	1	
8	AM875375	CASE	1	
9	19M7897	BOLT	3	
10	M64850	SEALANT	1	
11	24M7047	WASHER	2	13 X 24 X 2.500 mm
12	19M9108	BOLT	2	



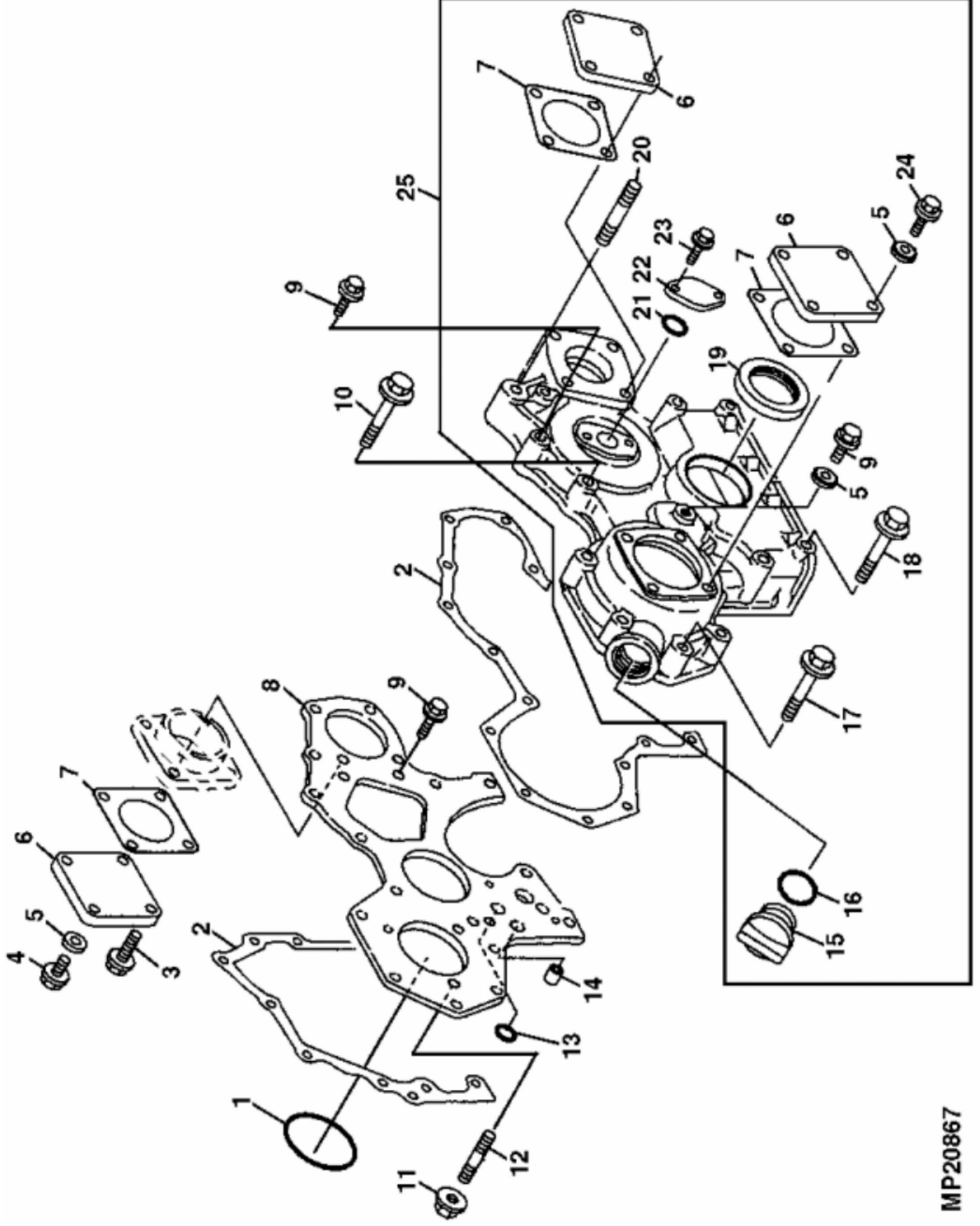
MP23119

KEY	PART NO.	PART NAME	QTY	REMARKS
1	M64850	SEALANT	1	
2	T111562	BOLT	4	
3	CH19136	BOLT	12	
4	19M7866	BOLT	6	(ENGINE MARKED 3TNE88-JT44)
4	19M7867	BOLT	6	(ENGINE MARKED 3TNE88-EJTS)
5	M806433	WASHER	1	
6	T111565	PLUG	1	DRAIN
7	M809955	PAN	1	
8	AM880870	OIL PAN	1	(SUB FOR AM879895)
9	M811792	GASKET	1	(SUB FOR M805829)
10	M808659	LINE	1	
11	19M7897	BOLT	2	



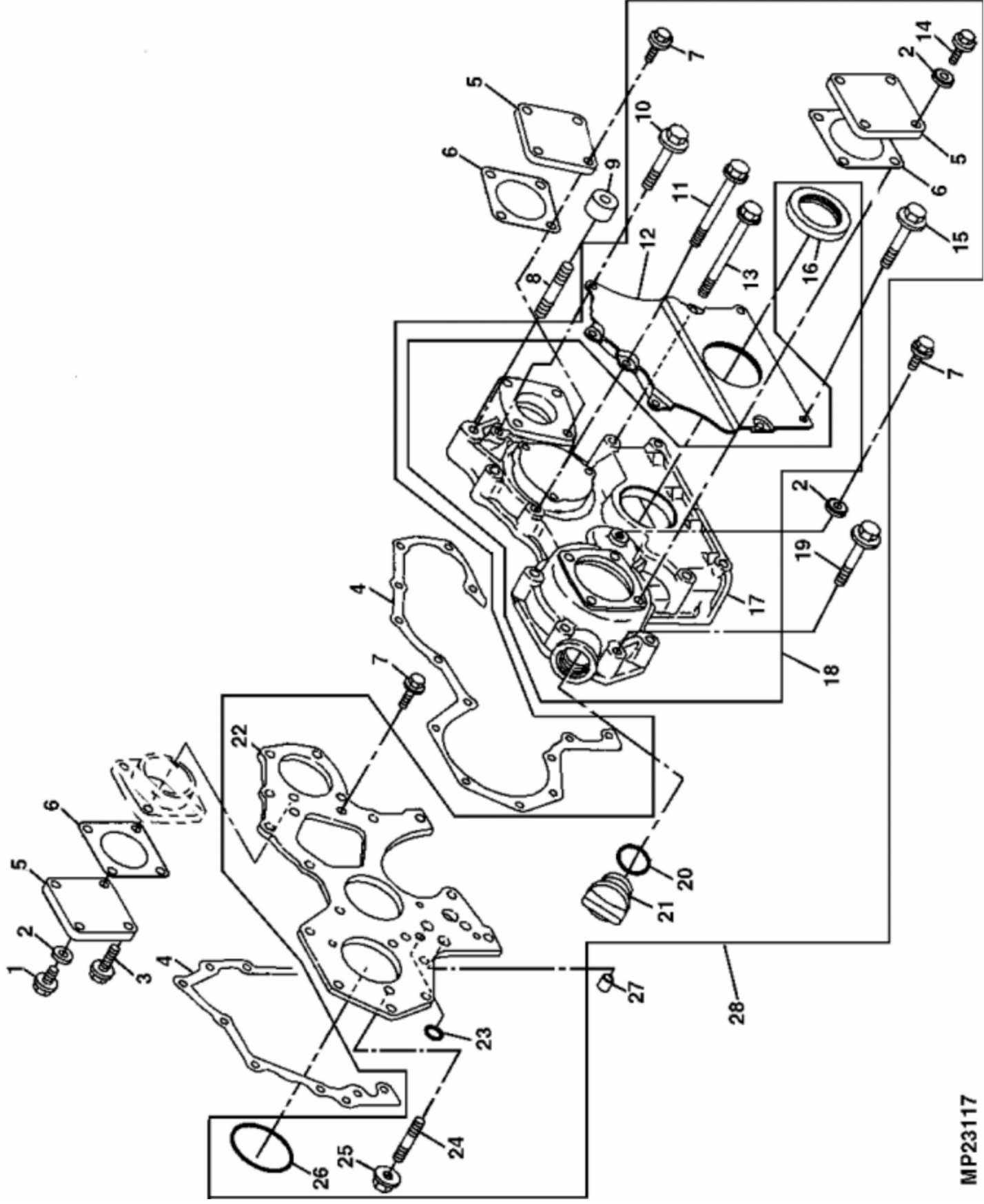
MP23132

KEY	PART NO.	PART NAME	QTY	REMARKS
1	M808653	DIPSTICK	1	
2	19M7865	BOLT	1	
3	M808656	GUIDE	1	
4	CH10571	PACKING	1	
5	M89143	GUIDE	1	
6	AM100856	SWITCH	1	(ENGINE MARKED 3TNE88-JT44)
6	M809526	SWITCH	1	(ENGINE MARKED 3TNE88-EJTS)
7	M801005	GASKET	1	
8	CH10539	SPRING PIN	2	
9	ROTOR	1	
10	MIA883558	OIL PUMP	1	SUB FOR AM87878
11	M800676	BOLT	4	
12	BOLT	1	
13	CH10570	O-RING	1	
14	M805830	GASKET	1	
15	M801000	BRACKET	1	
16	19M7866	BOLT	3	
17	M89148	NUT	1	
18	M806419	OIL FILTER	1	



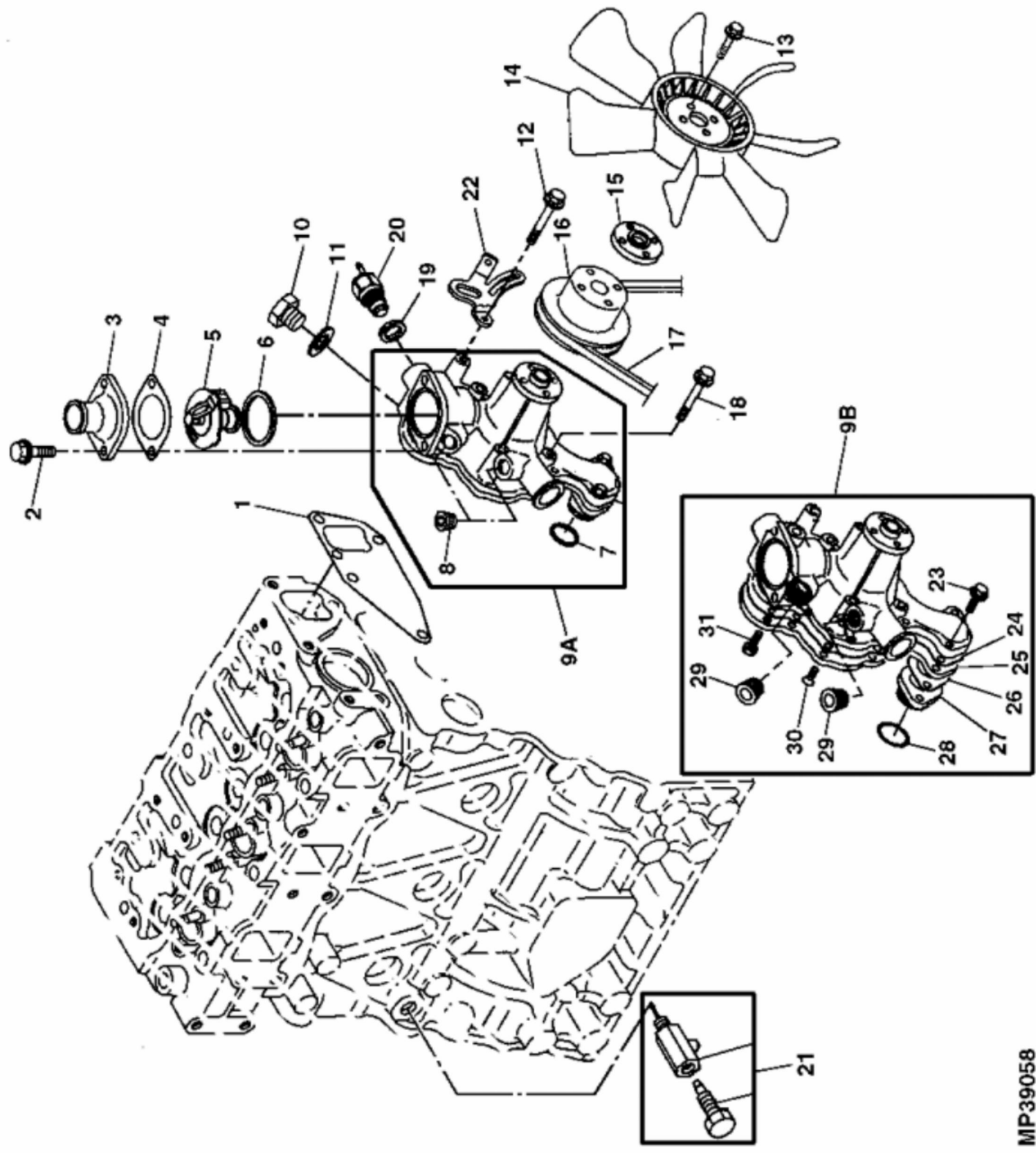
MP20867

KEY	PART NO.	PART NAME	QTY	REMARKS
1	CH16940	O-RING	1	
2	M64850	SEALANT	1	
3	19M7868	BOLT	3	
4	19M7866	BOLT	1	
5	M803523	WASHER	10	
6	CH18096	COVER	3	
7	M805696	GASKET	3	
8	M808636	FLANGE	1	
9	19M7865	BOLT	8	
10	19M7979	BOLT	3	
11	14M7298	FLANGE NUT	3	M8
12	CH15722	STUD	3	
13	CH10570	O-RING	2	
14	M800974	DOWEL PIN	1	
15	M805710	CAP	1	
16	M805711	PACKING	1	
17	CH19101	BOLT	6	
18	CH19136	BOLT	4	
19	M800988	SEAL	1	
20	M805156	STUD	1	
21	CH13526	PACKING	1	
22	M87874	COVER	1	(SUB MIU800476)
23	M88089	BOLT	2	
24	19M7864	BOLT	4	
25	AM879915	GEAR CASE	1	



MP23117

KEY	PART NO.	PART NAME	QTY	REMARKS
1	19M7866	BOLT	1	
2	M803523	WASHER	6	
3	19M7868	BOLT	3	
4	M64850	SEALANT	1	
5	CH18096	COVER	3	
6	M805696	GASKET	3	
7	19M7865	BOLT	8	
8	M805156	STUD	1	
9	M808678	SPACER	1	
10	19M7803	BOLT	1	
11	M87885	BOLT	3	
12	SHIELD	1	(INCLUDES DAMPER SHIELD AND FOAM)
13	19M7913	BOLT	2	
14	19M7864	BOLT	4	
15	CH19136	BOLT	2	
16	M800988	SEAL	1	
17	GEAR CASE	1	
18	AM880594	GEAR CASE	1	
19	CH19101	BOLT	5	
20	M805711	PACKING	1	
21	M805710	CAP	1	OIL FILL
22	M808636	FLANGE	1	
23	CH10570	O-RING	2	
24	CH15722	STUD	3	
25	14M7298	FLANGE NUT	3	M8
26	CH16940	O-RING	1	
27	M800974	DOWEL PIN	2	
28	GEAR CASE	1	



KEY	PART NO.	PART NAME	QTY	REMARKS
1	M809668	GASKET	1	WATER PUMP, (SUB FOR M801084)
2	19M7866	BOLT	2	(ENGINE MARKED 3TNE84-JT43)
2	19M7867	BOLT	2	(ENGINE MARKED 3TNE84-EJTS)
3	CH15535	COVER	1	THERMOSTAT
4	M805834	GASKET	1	
5	M811034	THERMOSTAT	1	(SUB FOR M801088)
6	M805835	GASKET	1	
7	M810636	O-RING	1	(A)
8	M810638	PLUG	3	(A)
9A	AM881419	WATER PUMP	1	(INCLUDES PARTS MARKED (A)), (SUB FOR AM878937) (SUB M1A880462)
9A	CH10577	BOLT	1	(A)
9A	CH19140	BOLT	5	(M6 X 14), (A)
9B	M1A880462	WATER PUMP	1	
10	M800312	PLUG	1	
11	CH13814	GASKET	1	(COPPER)
12	19M7801	BOLT	1	
13	M801763	BOLT	4	
14	ET14236	FAN	1	(USE W/ M801086 PULLEY)
14	M809977	FAN	1	(USE W/ MTU803029 PULLEY)
15	M801762	PLATE	1	
16	M801086	PULLEY	1	D=110MM
16	MTU803029	PULLEY	1	D=130MM, SUB FOR T111553
17	M808685	V-BELT	1	(USE W/ M801086 AND 40A ALT) (BLUE LABEL) (SUB FOR M802627)
17	LVU11835	V-BELT	1	(USE W/ M801086 AND 55A ALT) (RED LABEL)
17	LVU11661	V-BELT	1	(USE W/ MTU803029 AND 40A ALT) (BLUE LABEL)
17	LVU11662	V-BELT	1	(USE W/ MTU803029 AND 55A ALT) (RED LABEL)
18	19M7979	BOLT	3	
19	T110737	GASKET	1	
20	T110736	SENSOR	1	COOLANT TEMPERATURE
21	AM100800	DRAIN VALVE	1	
22	M808684	ADJUSTER	1	BELT (ENGINE MARKED 3TNE84-EJTS)
23	19M7862	SCREW	2	M6 X 20, (A) (SUB FOR M87820)

KEY	PART NO.	PART NAME	QTY	REMARKS
24	M810823	GASKET	1	(A)
25	MIU800236	PLATE	1	(SUB FOR M810634) (A)
26	M810824	GASKET	1	(SUB FOR MIU800684) (A)
27	M801758	PIPE	1	(SUB FOR MIU800683) (A)
28	M810636	O-RING	1	
29	PLUG	2	
30	SCREW	2	
31	19M7560	CAP SCREW	3	M6 X 16
..	M138288	HOSE FITTING	1	90°, (EUROPEAN, W/CAB)
..	M138867	HOSE FITTING	1	55°, (EUROPEAN, W/CAB)

Please write to us.

Our email:

aservicemanualpdf@yahoo.com

**Please go to the homepage
to get the full manual, or
other brand PDF manuals.**

Home Site:

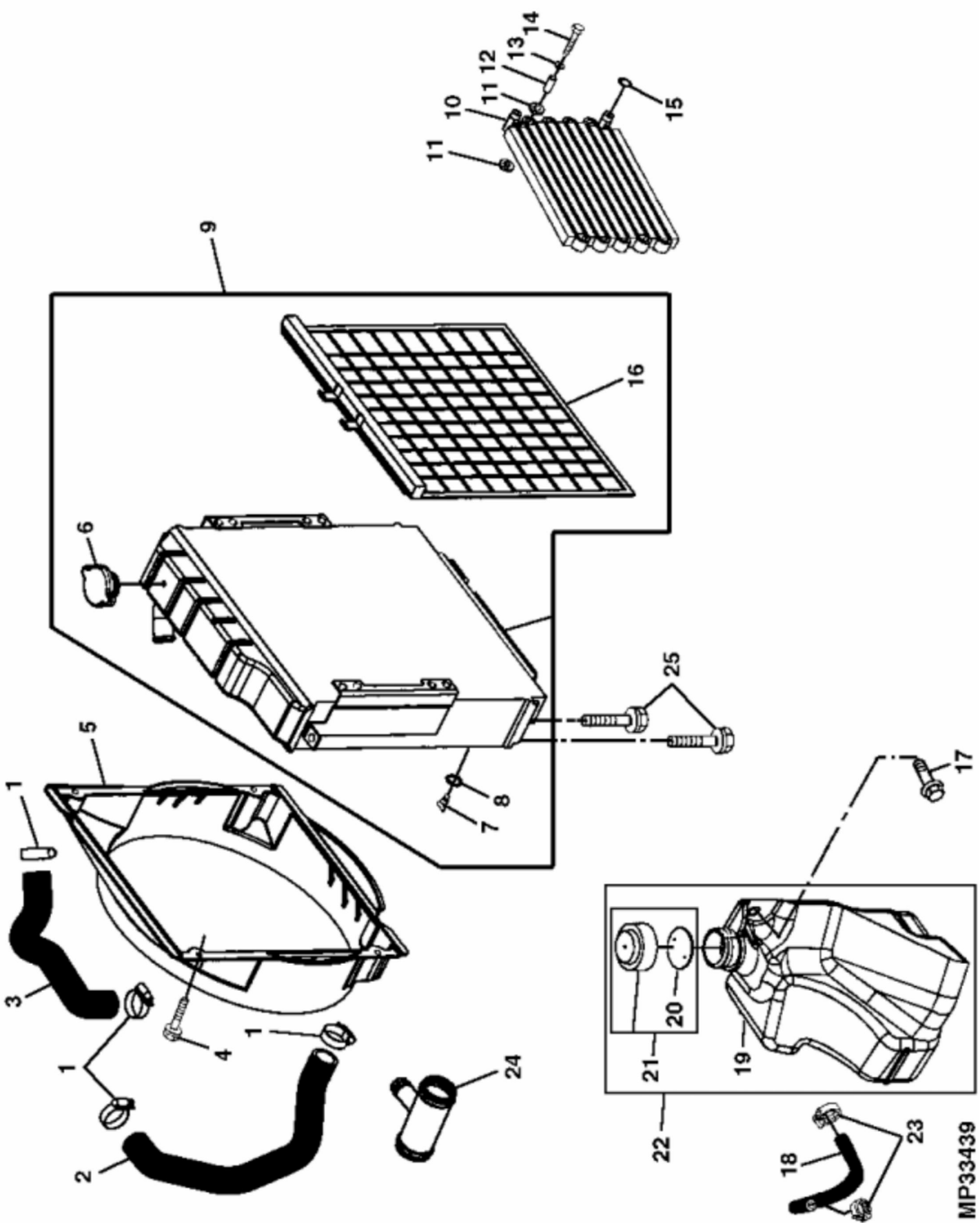
aservicemanualpdf.com

Thank you very much for your reading. Please Click Here. Then Get COMPLETE MANUAL. NO WAITING



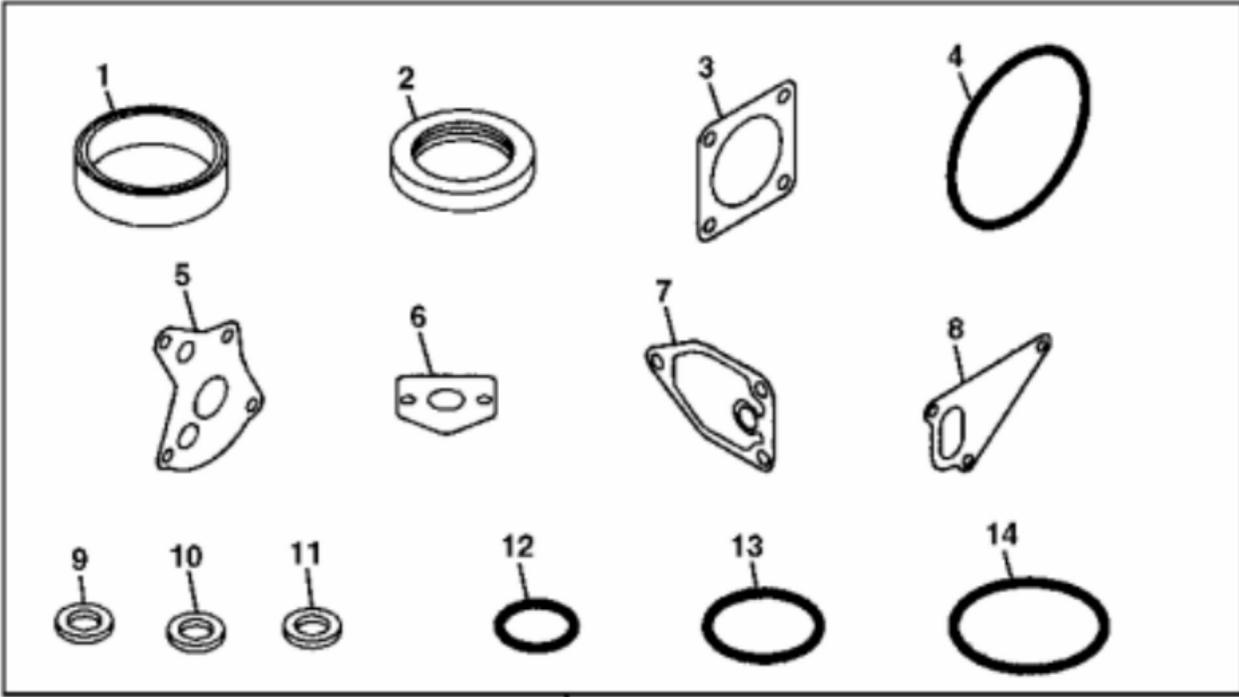
NOTE:

If there is no response to click on the link above, please download the PDF document first and then click on it.

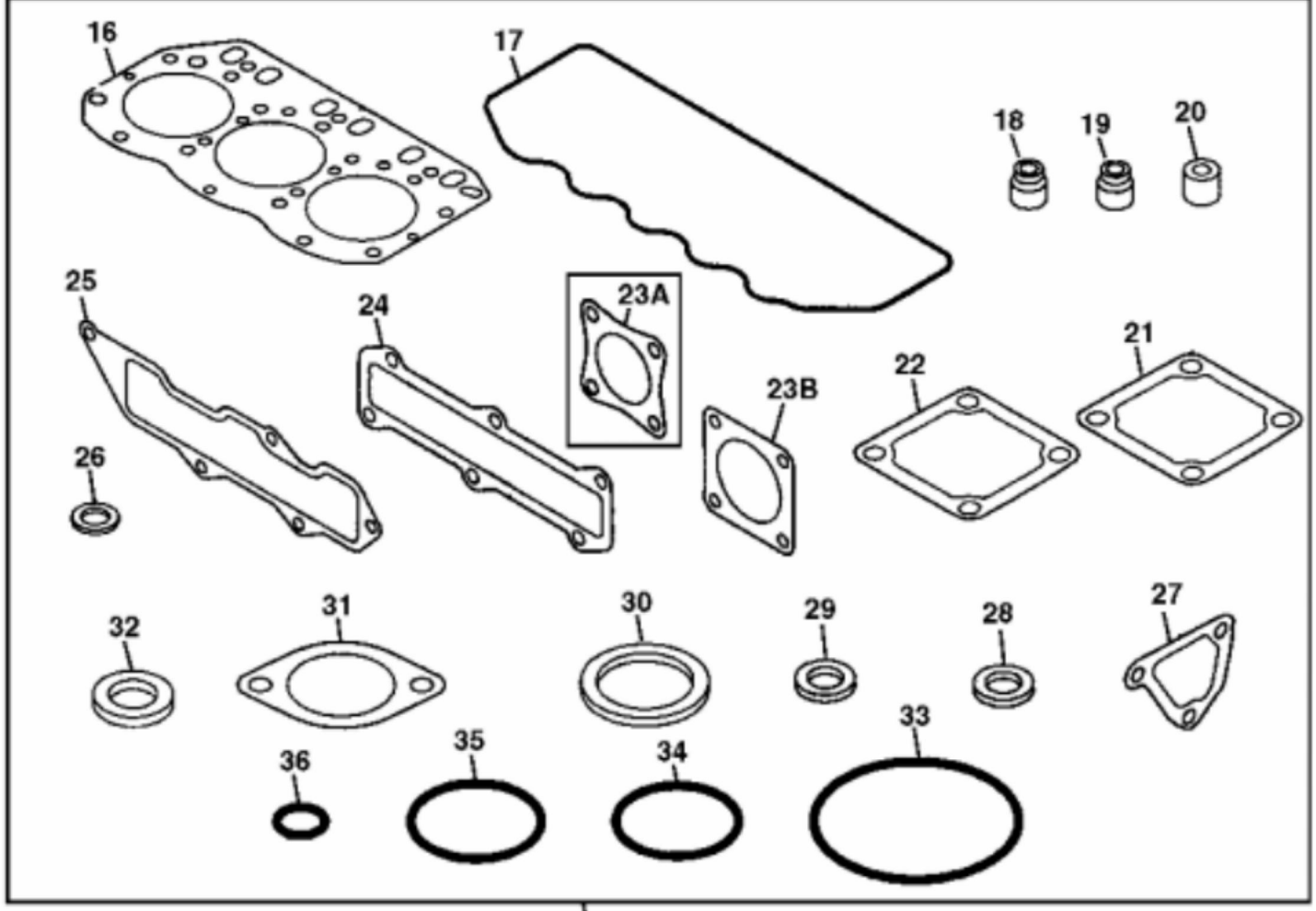


MP33439

KEY	PART NO.	PART NAME	QTY	REMARKS
1	TY22467	CLAMP	4	
2	M125010	HOSE	1	LOWER
2	M125009	HOSE	1	LOWER (EUROPEAN)
3	M125008	HOSE	1	UPPER
4	19M7774	SCREW	4	M6 X 12
5	AM122481	SHROUD	1	
5	AM120891	SHROUD	1	(EUROPEAN)
6	AM102893	FILLER CAP	1	NLA
7	AM103347	DRAIN VALVE	1	
8	M71417	O-RING	1	NLA
9	AM122480	RADIATOR	1	
9	LVA12158	RADIATOR	1	(EUROPEAN) (SUB FOR AM122479)
10	AM122482	OIL COOLER	1	
11	T158424	WASHER	8	
12	LVU11401	SPACER	4	(SUB FOR M135078)
13	24M7100	WASHER	8	6.600 X 22 X 2 mm
14	19M7529	CAP SCREW	4	M6 X 55
15	T77857	O-RING	2	
16	AM126469	SCREEN	1	
16	AM126468	SCREEN	1	(EUROPEAN)
17	19M7784	BOLT	1	
18	HOSE	1	(MAKE FROM TY22559)
19	TANK	1	COOLANT
20	SEAL	1	
21	AM127971	CAP	1	(SUB FOR M134516)
22	AM124595	RESERVOIR	1	
23	R56101	CLIP	2	
24	AM128289	FITTING	1	HOSE (EUROPEAN W/CAB)
25	19M7865	BOLT	2	



15



MP23139

37