

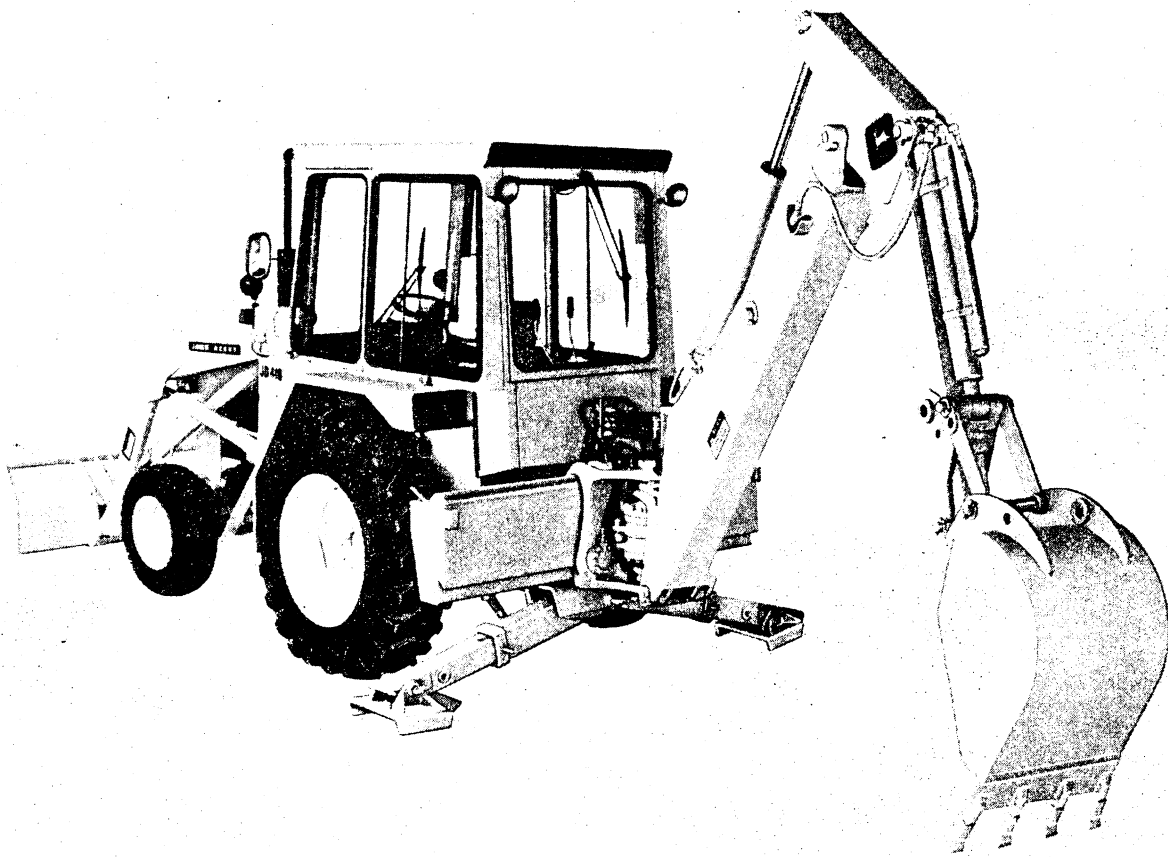


JOHN DEERE
Parts Catalog

9505, 9510, 9511 BACKHOES

PC3170

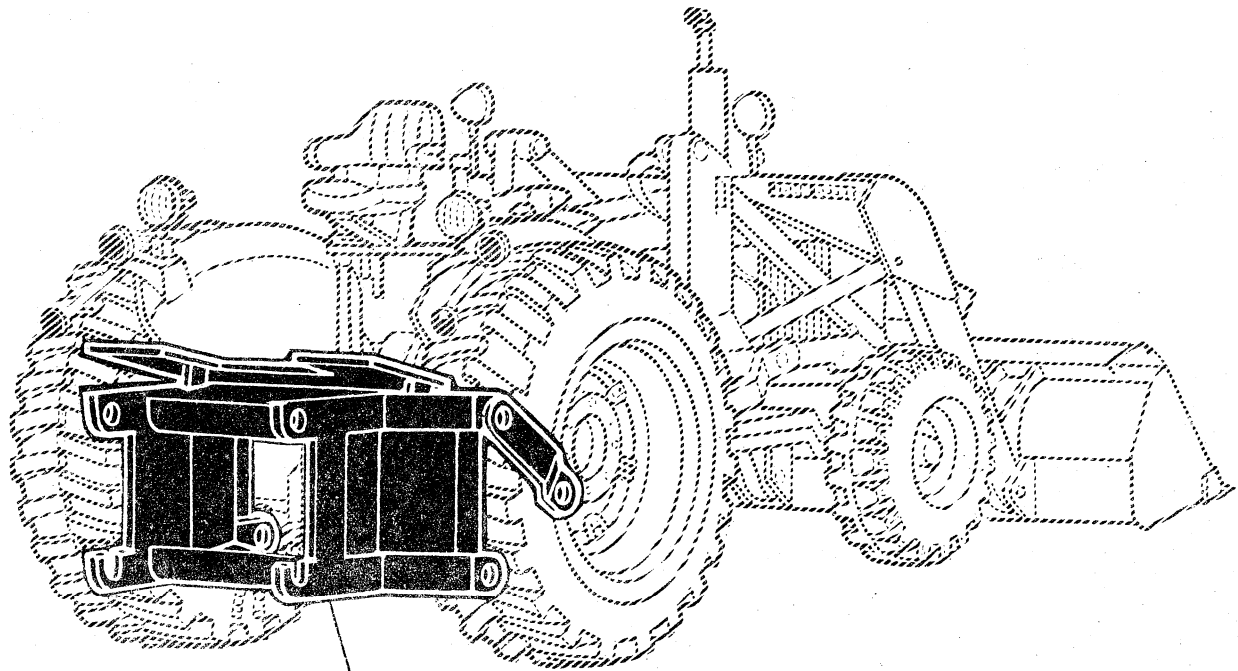
IDENTIFICATION VIEW
VUE D'ENSEMBLE
TYPENBILD
VISTA DELLA MACCHINA
VISTA DE LA MAQUINA
VY AV MASKINEN
CD 7101



CD 7101

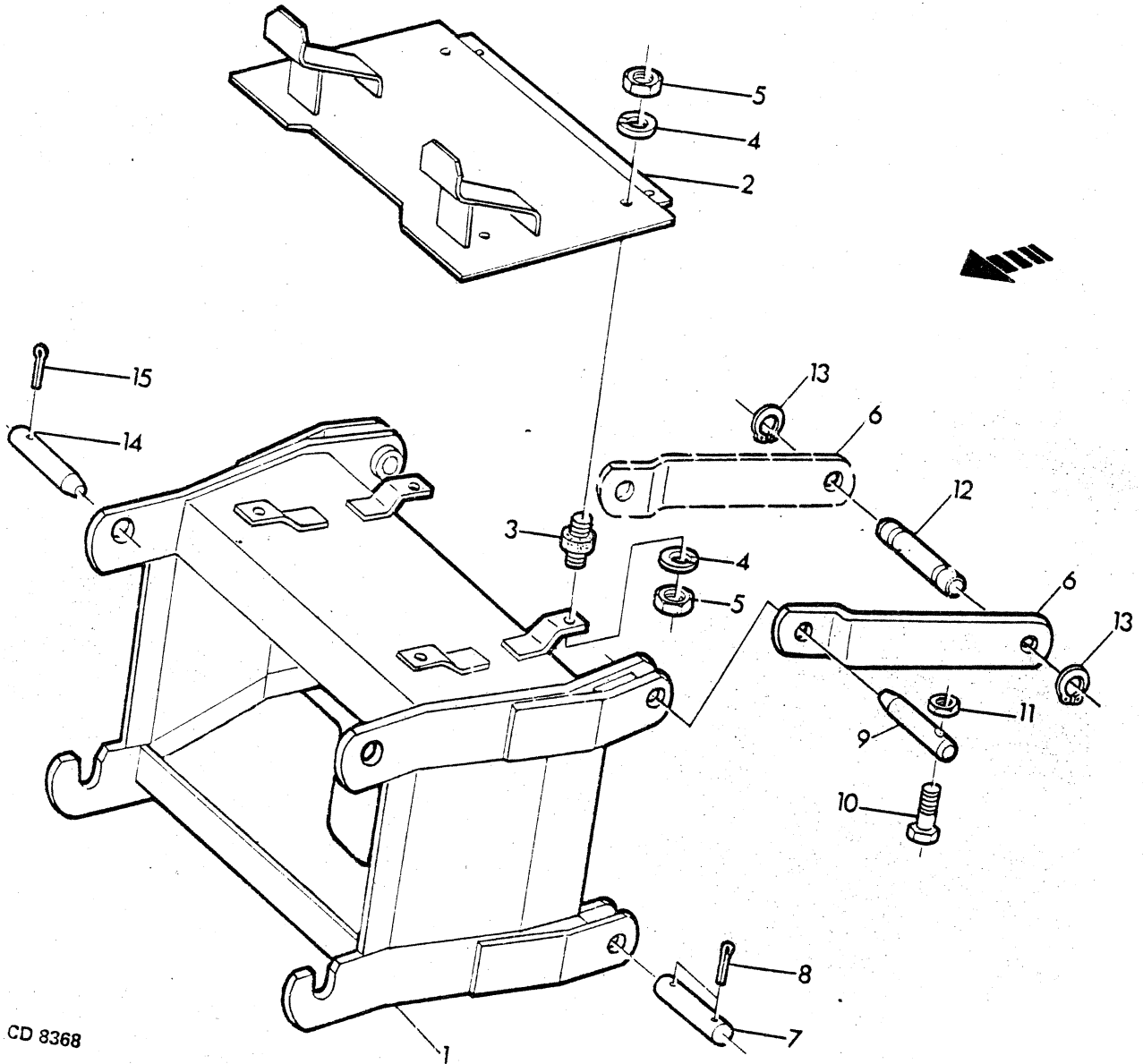
SECTIONAL INDEX
INDEX DE SECTION
GRUPPENINDEX
INDICE DELLA SEZIONE
INDICE DE SECCION
GRUPPSFORTECKNING
CD 7102

XX
XX
XX
XX
XX
XX
XX
XX
XX
XX



A4, A6, A8, A9, A10

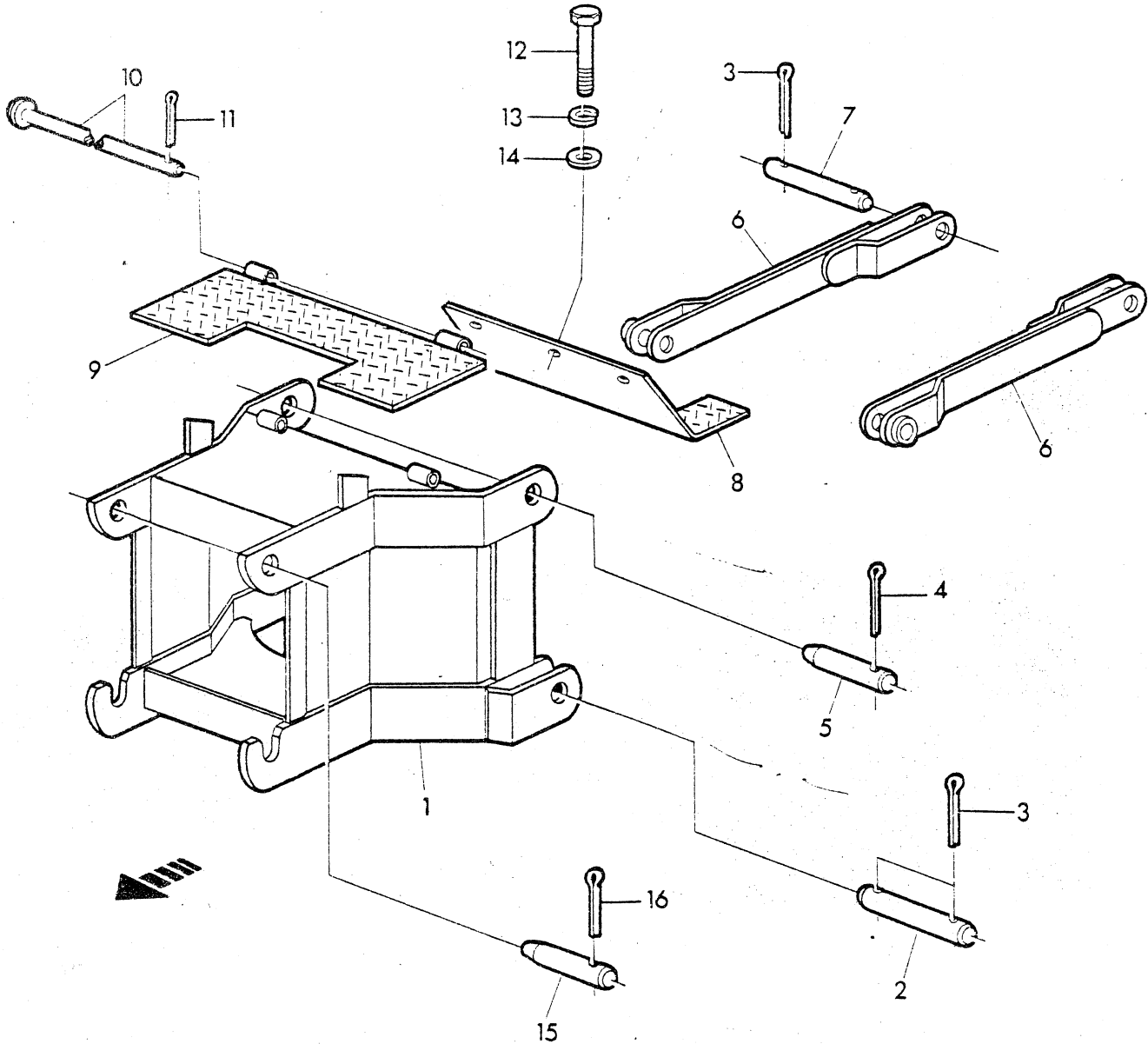
SUBFRAME AND MOUNTING PARTS FOR WHEEL LOADER JD310, JD410
 SOUS-BATI, PIECES DE MONTAGE CHARGEUR A ROUES JD 310 JD410
 ANBAURAHMEN UND BEFESTIGUNGSTEILE FUER RADLADER JD 310 JD410
 TELAIO E PARTI DI MONTAGGIO SULLA PALA CARICAT. JD310, JD410
 SUBBASTIDOR Y PIEZAS DE MONTAJE EN LA CARGADORA JD310, JD410
 MELLANRAM OCH DETALJER FOR TRAKTORGRAVARE JD310, JD410
 CD 8368



CD 8368

KEY PART NO.	DESCRIPTION	QTY	SERIAL NO.	9 5 0 5	9 5 1 0	9 5 1 1	REMARKS
1	DD14186	1		X			SUB. FOR DD12224
2	DD12225	1		X			
3	DD12228	4		X			
4	12M1626	8		X			10MM
5	14M7060	8		X			10MM
6	T3561G	2		X			
7	CD15652	2		X			SUB. FOR T37487
8	11H220	4		X			3/8"X2-1/4"
9	T37488	2		X			
10	19H2128	2		X			3/8"X3"
11	T11234	2		X			3/8"
12	T40639	2		X			
13	U16068	4		X			
14	T35651	2		X			
15	11H277	2		X			1/2"X4"

SUBFRAME AND MOUNTING PARTS FOR WHEEL LOADER JD 400A
SOUS-BÂTI, PIÈCES DE MONTAGE POUR CHARGEUR À ROUES JD 400A
ANBAURAHMEN UND BEFESTIGUNGSTEILE FÜR RADLADER JD 400A
TELAIO E PARTI DI MONTAGGIO SULLA PALA CARICAT, JD 400A
SUBBASTIDOR Y PIEZAS DE MONTAJE EN LA CARGADORA JD 400A
MELLANRAM OCH DETALJER FÖR TRAKTORGRAVARE JD 400A
CD 7104



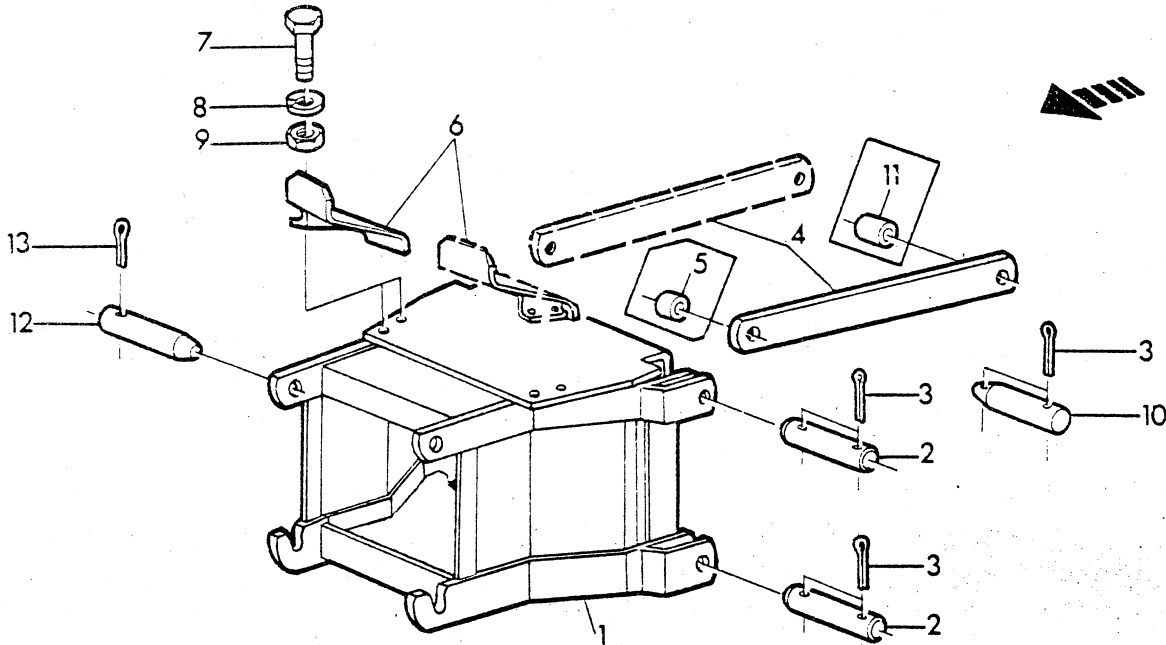
CD 7104

A 07

100-005

KEY PART NO.	DESCRIPTION	QTY	SERIAL NO.	9 5 0 5 1 1 5 0 1	REMARKS
1 AT 34189	FRAME	1		X	
2 T 34685	PIN	2		X	
3 11H 221	COTTER PIN	8		X	3/8"X2-1/2"
4 11H 209	COTTER PIN	2		X	5/16"X3"
5 U 16915	PIN	2		X	
6 AT 34188	LINK	2		X	
7 T 34682	PIN	2		X	
8 T 37815	SHEET METAL	1		X	
9 AT 33787	SHEET METAL	1		X	
10 T 34681	PIN	2		X	
11 11H 233	COTTER PIN	2		X	
12 19H 1900	CAP SCREW	3		X	5/16"X3/4"
13 12H 303	LOCK WASHER	3		X	5/16"
14 24H 1136	WASHER	3		X	11/32"X11/16"X.060"
15 T 35651	PIN	2		X	
16 11H 277	COTTER PIN	2		X	1/2"X4"

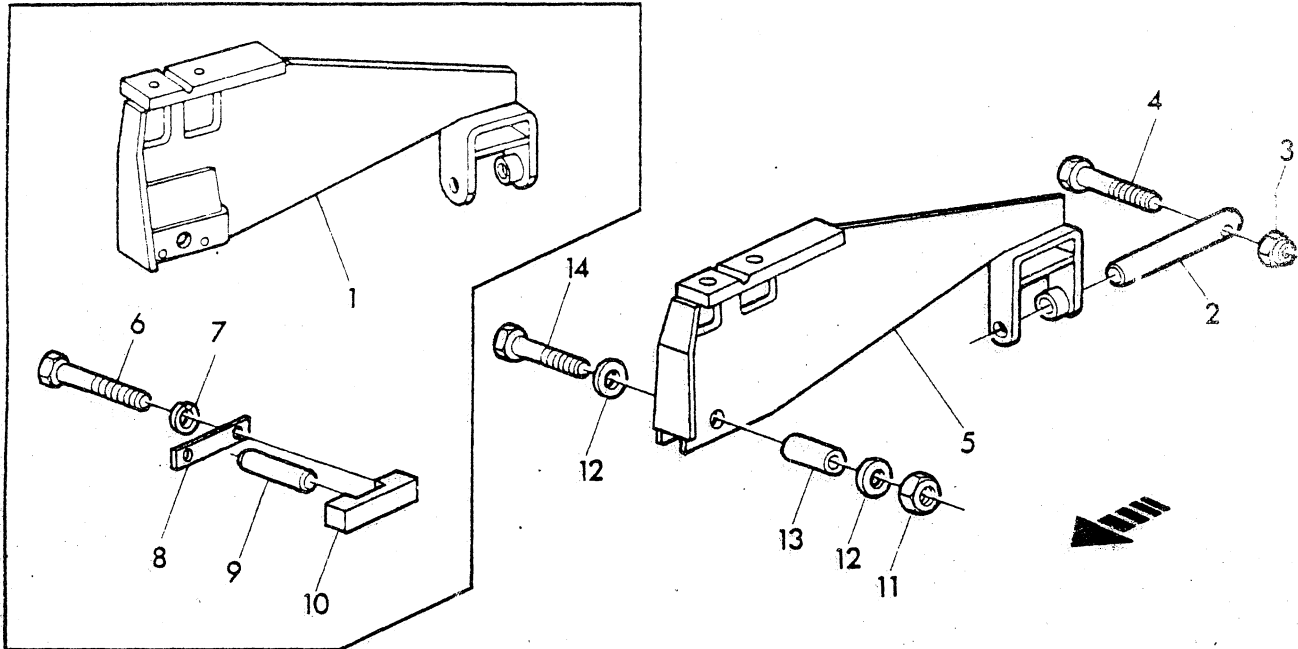
SUBFRAME AND MOUNTING PARTS FOR WHEEL LOADER JD 500C
 SOUS-BATI, PIÈCES DE MONTAGE POUR CHARGEUR A ROUES JD 500C
 ANBAURAHMEN UND BEFESTIGUNGSTEILE FUER RADLADER JD 500C
 TELAIO E PARTI DI MONTAGGIO SULLA PALA CARICAT, JD 500C
 SUBBASTIDOR Y PIEZAS DE MONTAJE EN LA CARGADORA JD 500C
 MELLANRAM OCH DETALJER FOR TRAKTORGRAVARE JD 500C
 CD 7105



CD 7105

KEY PART NO.	DESCRIPTION	QTY	SERIAL NO.	REMARKS
1	AT54442 FRAME	1	X	SUB. FOR AT36265
2	U41337 PIN	4	X	
3	11H221 COTTER PIN	12	X	3/8"X2-1/2"
4	AU41076 LINK	2	X	SUB. FOR AU41077
5	U41604 BUSHING	2	X	W/AU41077
6	DD12281 FOOTREST	1	X	L. H.
	DD12282 FOOTREST	1	X	R. H.
7	19H1731 CAP SCREW	4	X	3/8"X1"
8	12H304 LOCK WASHER	4	X	3/8"
9	14H812 NUT	4	X	3/8"
10	U43785 PIN	2	X	
11	U40150 BUSHING	2	X	W/AU41077, SUB. FOR U41605
12	T35651 PIN	2	X	
13	11H277 COTTER PIN	2	X	1/2"X4"

SIDE MOUNTING BRACKETS FOR JD 450A
 SUPPORTS DE MONTAGE LATERAUX POUR JD 450A
 SEITENKONSOLE FUER JD 450A
 SUPPORTI DI MONTAGGIO LATERALI PER JD 450A
 SOPORTES DE MONTAJE LATERALES PARA JD 450A
 SIDOHALLARE FOR JD 450A
 CD 7106



CD 7106

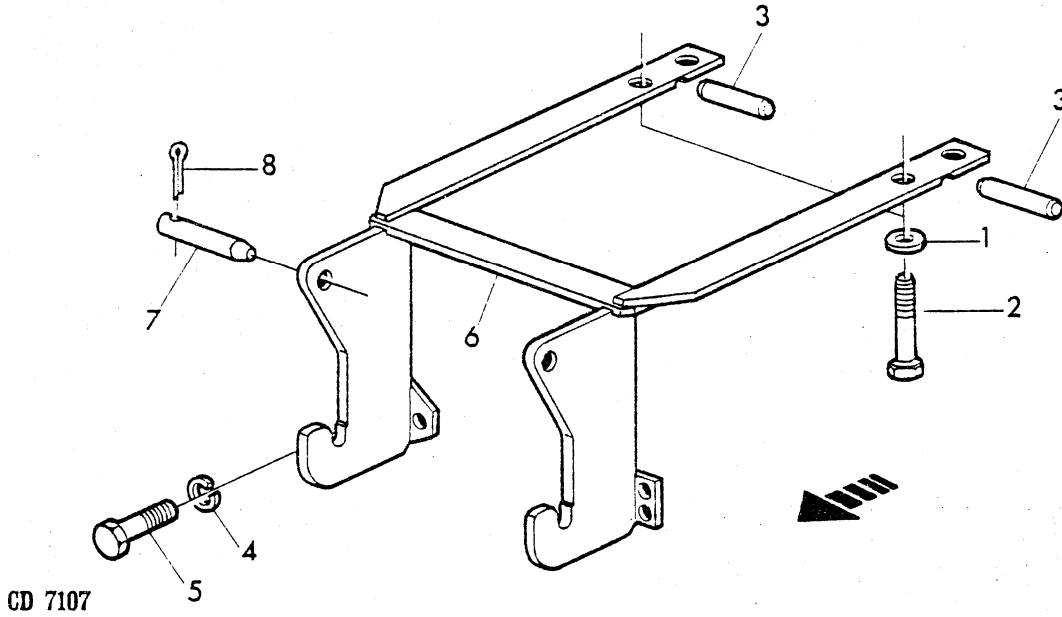
KEY PART NO.	DESCRIPTION	QTY	SERIAL NO.	REMARKS
1	AU 40141 BRACKET	1	X	R. H. ORD AT30393
	AU 40140 BRACKET	1	X	L. H. ORD BU40039
2	U 40247 PIN	2	X	FRONT
3	T 11234 LOCK NUT	2	X	3/8"
4	19H 2023 CAP SCREW	2	X	3/8"X3-1/4"
5	BU 40039 BRACKET	1	X	(A) L. H. ASSY. INCL. KEYS 2-4, 11-14
	AT 30393 BRACKET	1	X	(A) R. H. ASSY. INCL. KEYS 2-4, 11-14 SUB. FOR BU40038
6	19H 1909 CAP SCREW	4	X	3/4"X3-3/4"
7	12H 236 LOCK WASHER	4	X	3/4"
8	U 20039 PLATE	2	X	
9	U 16922 PIN	2	X	REAR
10	U 11134 CLAMP	2	X	
11	T 44249 LOCK NUT	2	X	
12	R 30399 WASHER	4	X	
13	T 47054 PIN	2	X	
14	19H 2097 CAP SCREW	2	X	1"X4-1/2"

(A) WHOLE GOODS (SEPARATE ORDER)
 ENSEMBLE (COMMANDE SEPARMENT)
 FERTIGTEIL (SEPARAT BESTELLEN)
 INSIEME (ORDINARE SEPARATAMENTE)
 CONJUNTO (PEDIR POR SEPARADO)
 KOMPLETT (BESTALLAS SEPARAT)

A 10

100-008

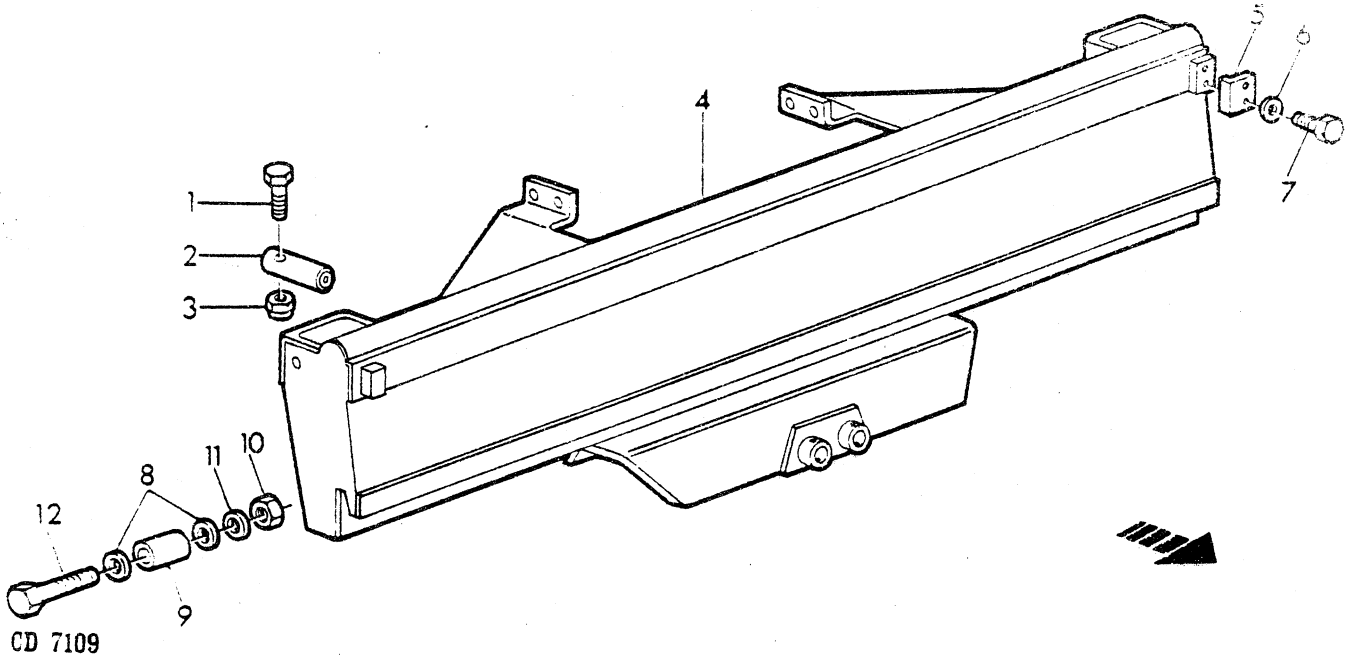
SUBFRAME AND MOUNTING PARTS FOR JD450A, JD455, JD555
 SOUS-BATI ET PIECES DE MONTAGE POUR JD 450A JD455, JD 555
 ANBAURAHMEN UND BEFESTIGUNGSTEILE FÜR JD450A, JD455, JD555
 TELAIO E PARTI DI MONTAGGIO SULLE JD450A, JD 455, JD 555
 SUBBASTIDOR Y PIEZAS DE MONTAJE EN LAS JD450A, JD455, JD555
 MELLANRAM OCH DETALJER FOR JD450A, JD455, JD555
 CD 7107



CD 7107

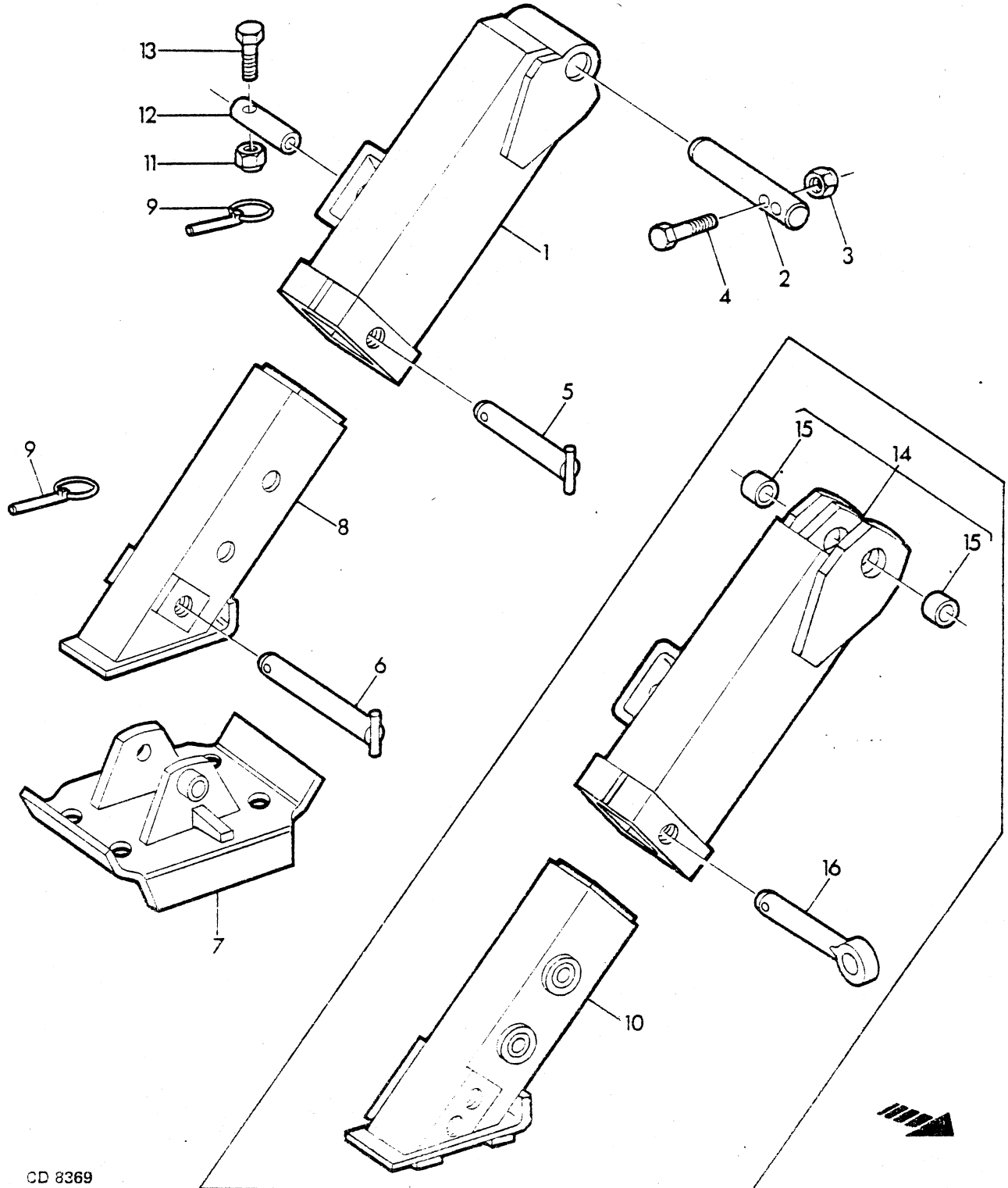
KEY PART NO.	DESCRIPTION	QTY	SERIAL NO.	9 5 0 5	9 5 1 0	9 5 1 1	REMARKS
1	M 3301T WASHER	4		X	X		SUB. FOR 12H236
2	19H 1707 CAP SCREW	4		X	X		3/4"X2-3/4"
3	U 17130 PIN	2		X	X		
4	12H 234 LOCK WASHER	4		X	X		1"
5	19H 1874 CAP SCREW	4		X	X		1"X2-3/4"
6	AT 31916 BRACKET	1		X	X		
7	T 35651 PIN	2		X	X		
8	11H 277 COTTER PIN	2		X	X		1/2"X4"

MAIN FRAME
 BÂTI PRINCIPAL
 HAUPTTRAHMEN
 TELAIO PRINCIPALE
 BASTIDOR PRINCIPAL
 HUVUDRAM
 CD 7109



KEY PART NO.	DESCRIPTION	QTY	SERIAL NO.	9 9 9 5 5 5 0 1 1 5 0 1	REMARKS
1	19H1944 CAP SCREW	2		X X X	3/8"X2-3/4"
2	U40779 PIN	2		X X X	
3	T11234 NUT	2		X X X	3/8"
4	AT34162 FRAME	1		X X	
	AT53331 FRAME	1	-007524	X	ORD AT67946 W/(2)AR67945
	AT67946 FRAME	1	007525-	X	
5	T39332 STOP	1		X X X	SUB. FOR T3F245
6	12H294 LOCK WASHER	2		X X X	5/8"
7	19H2588 CAP SCREW	2		X X X	5/8"X1-7/8"
8	24H1236 WASHER	4		X X X	13/16"X2"X. 149"
9	U16401 SPACER	2		X X X	
10	14H794 NUT	2		X X X	3/4"
11	12H236 LOCK WASHER	2		X X X	3/4"
12	19H2026 CAP SCREW	2		X X X	3/4"X4"

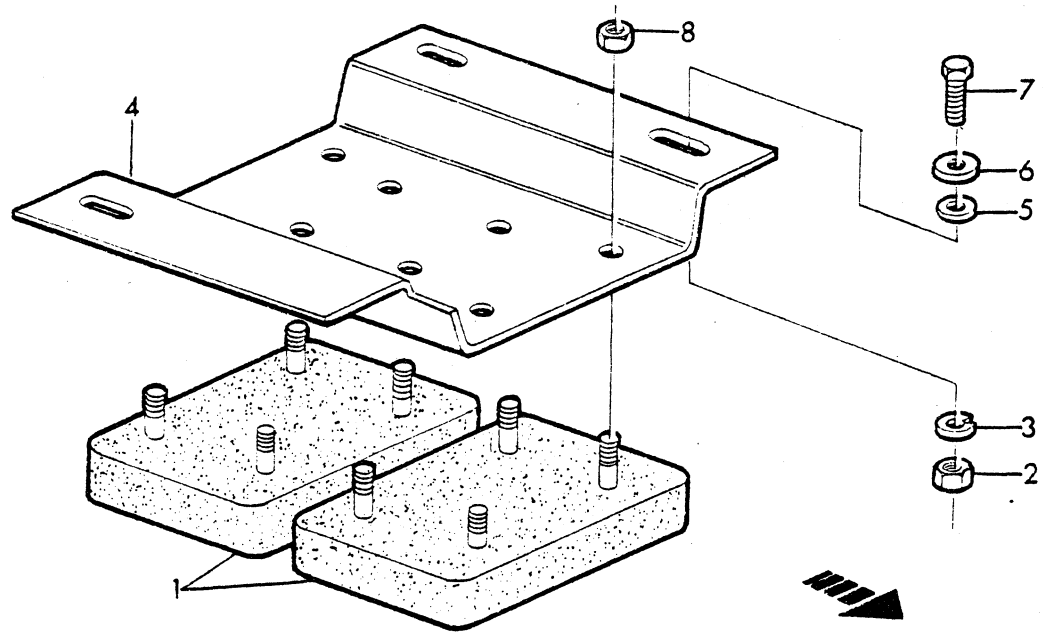
STABILIZERS
STABILISATEURS
ABSTUETZFUESSE
STABILIZZATORI
ESTABILIZADORES
STOBBEN
CD 8369



CD 8369

KEY PART NO.	DESCRIPTION	QTY	SERIAL NO.	9 5 0 5	9 5 1 0	9 5 1 1	REMARKS
1	AT63232	2	007510-	X	X	X	
2	T66710	2		X	X	X	SUB. FOR AT31109, AT36109
3	BP12214	2		X	X	X	1/2"
4	19H1868	2		X	X	X	1/2"X3-3/4", SUB. FOR 19H1781
5	AT63234	2	007510-	X	X	X	
6	AT63235	2		X	X	X	SUB. FOR AT34651
7	AT34160	2		X	X	X	
8	AT63231	2	007510-	X	X	X	
9	CD13074	4		X	X	X	
10	AT34158	2	-005211	X	X	X	
	AT58177	2	005212-007509	X	X	X	
11	T11234	2		X	X	X	3/8"
12	U16149	2		X	X	X	
13	19H2023	2		X	X	X	3/8"X3-1/4"
14	AT34156	1	-005211	X	X	X	L. H. ASSY, INCL. KEY 15
	AT34153	1	-005211	X	X	X	R. H. ASSY, INCL. KEY 15
	AT58176	2	005212-007509	X	X	X	ASSY, INCL. KEY15, SUB. FOR AT58175
15	U10745	4	-007509	X	X	X	
16	AT36110	2	-007509	X	X	X	SUB. FOR AT31110

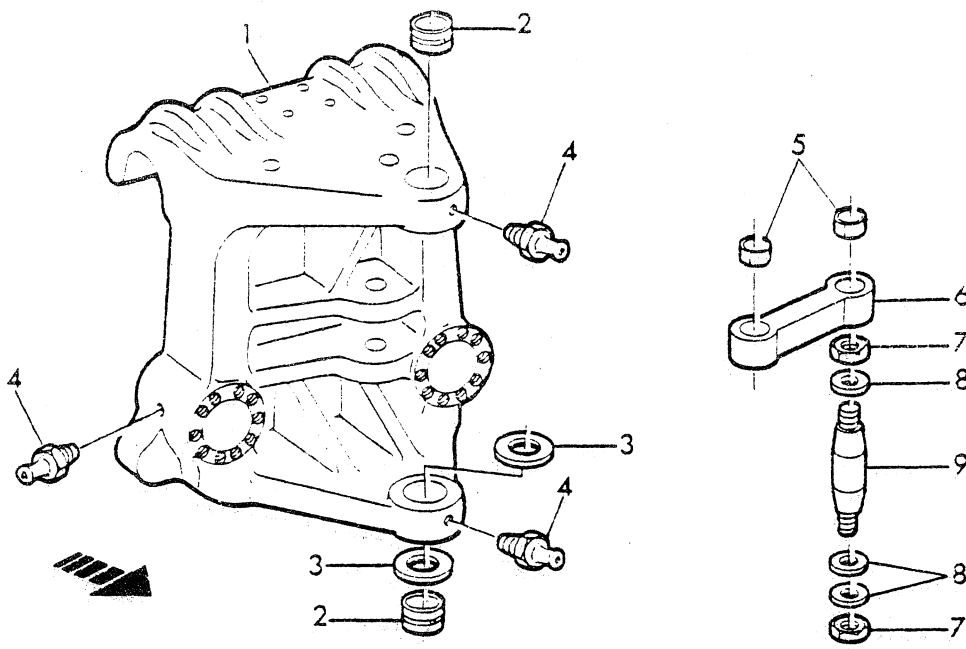
STREET PADS
 PATINS CAOUTCHOUC DE STABILISATEUR
 GUMMI-STRASSENPLATTEN
 PATTINI IN GOMMA PER PIEDI STABILIZZATORI
 PATINES DE GOMA PARA LAS PATAS DE LOS ESTABILIZADORES
 GUMMIUNDERLAGG FOR FOTPLATTOR
 CD 7111



CD 7111

KEY PART NO.	DESCRIPTION	QTY	SERIAL NO.	REMARKS
1	AT 13110 PAD	4		
2	14H 794 NUT	6		
3	12H 236 LOCK WASHER	6		
4	U 17095 SUPPORT	1		L. H.
	U 17094 SUPPORT	1		R. H.
5	U 17093 SPACER	6		
6	24H 1401 WASHER	6		25/32"X1-3/4"X. 194"
7	19H 1768 CAP SCREW	6		3/4"X2"
8	14H 865 NUT	16		1/2"

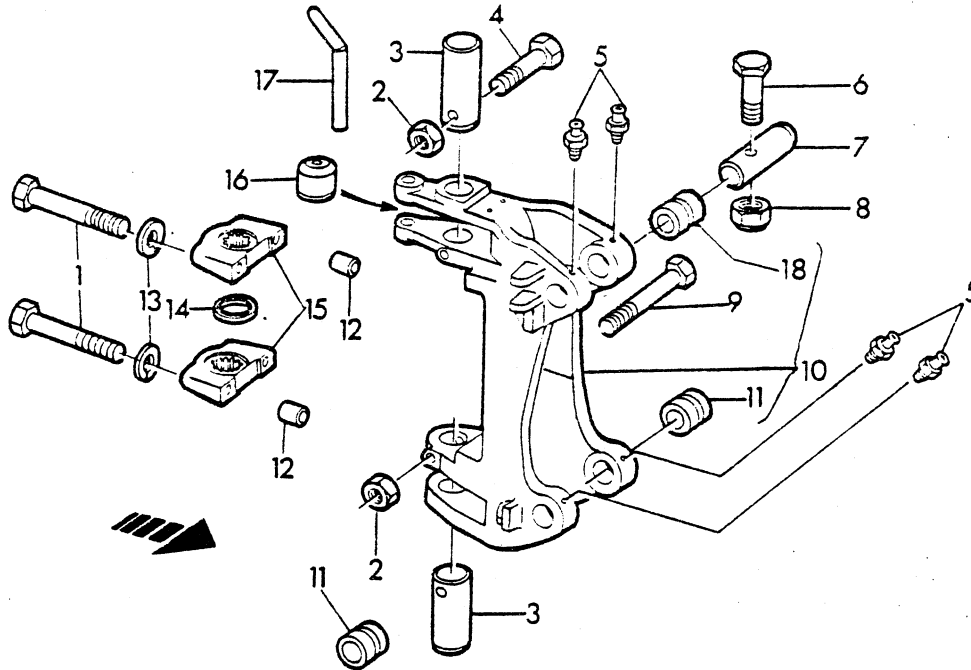
SLIDING FRAME
 BATI COULISSANT
 HAUPTLAGERRAHMEN
 TELAIO SCORREVOLE
 BASTIDOR CORREDIZO
 SVANGCYLINDERRAM
 CD 7112



CD 7112

KEY PART NO.	DESCRIPTION	QTY	SERIAL NO.	9 9 9 5 5 5 0 1 1 5 0 1	REMARKS
1	AT 37784 FRAME	1		X X X	ASSY, INCL. KEY 2
2	U 41086 BUSHING	2		X X X	
3	U 41077 WASHER	2		X X X	
4	JD 7797 LUBRICATION FITTING	4		X X X	1/4"
5	U 41089 BUSHING	4		X X X	
6	U 40831 TIE BAR	1		X X X	
7	T 25879 NUT	4		X X X	3/4"
8	24H 1395 WASHER	6		X X X	25/32"X1-7/16"X.060"
9	U 41078 STUD	2		X X X	

BOOM PIVOT
 PIVOT DE FLECHE
 SCHWENKLAGER
 SUPPORTO OSCILLATORIO DEL BRACCIO
 SOPORTE OSCILANTE DEL AGUILON
 BOMFASTE
 CD 7113



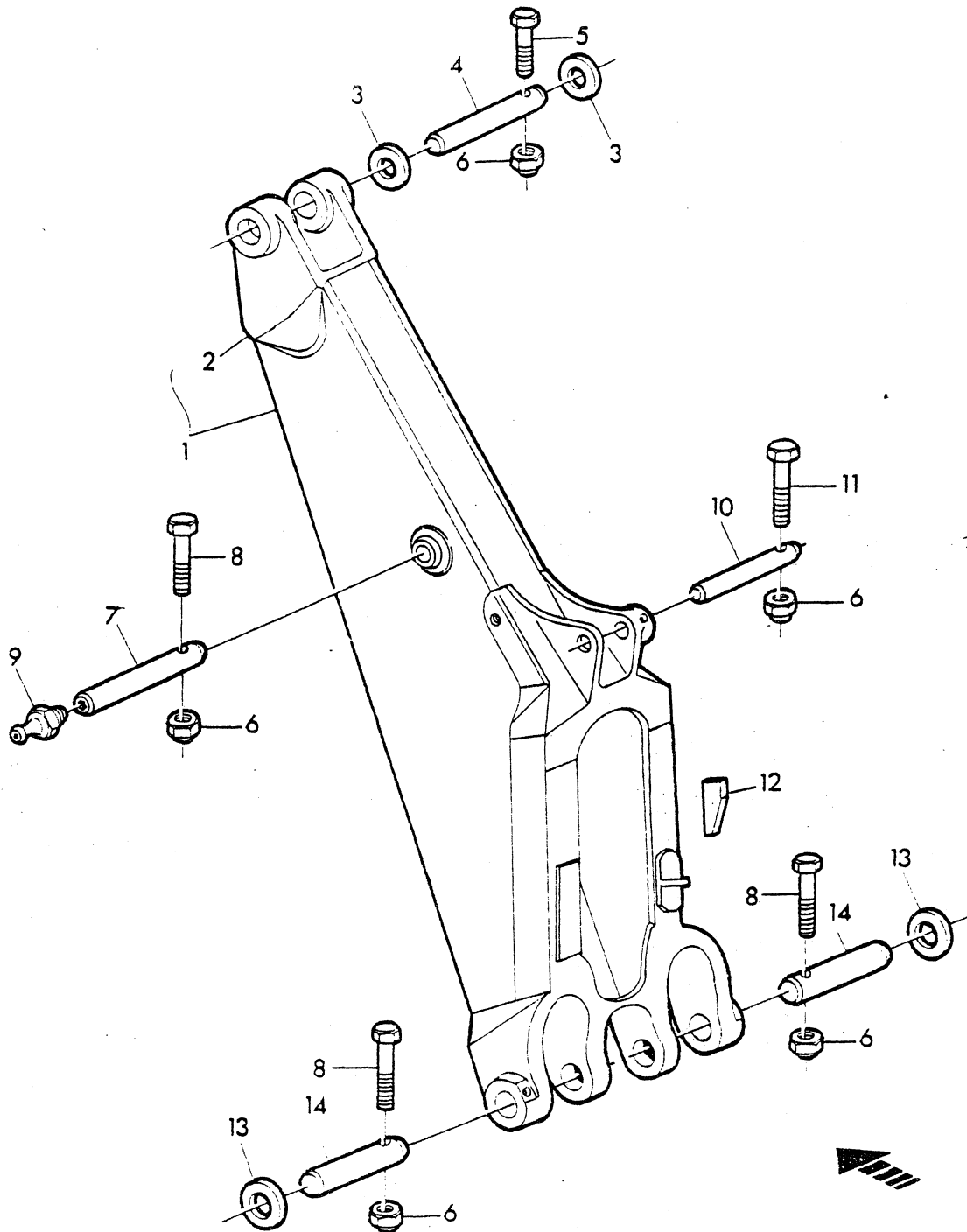
CD 7113

KEY PART NO.	DESCRIPTION	QTY	SERIAL NO.	REMARKS
1	19H 1892 CAP SCREW	4	X X X	3/4"X5. 1/4"
2	U 14555 LOCK NUT	3	X X X	5/8"
3	U 41088 PIN	2	X X X	
4	19H 1923 CAP SCREW	2	X X X	5/8"X5-1/2"
5	JD 7797 LUBRICATION FITTING	4	X X X	1/4"
6	19H 1739 CAP SCREW	1	X X X	1/2"X4-1/2"
7	U 16051 PIN	1	X X X	
8	BP 12214 LOCK NUT	1	X X X	1/2", SUB. FOR U12622
9	19H 2332 CAP SCREW	1	X X X	5/8"X6-1/4"
10	AU 40588 PIVOT	1	X X X	ASSY, INCL. KEYS 11, 18, SUB. FOR U41015
11	U 10618 BUSHING	2	X X X	
12	U 41502 DOWEL PIN	2	X X X	
13	12H 236 LOCK WASHER	4	X X X	3/4"
14	U 41099 SPACER	1	X X X	
15	U 40833 COUPLING	2	X X X	
16	CD 14691 BUSHING	1	X X X	SUB. FOR CDX10035
17	AT 34906 PIN	1	X X X	
18	U 16070 BUSHING	2	X X X	

B 02

120-002

BOOM
FLECHE
HAUPTAUSLEGER
BRACCIO
AGUILON
BOM
CD 7115



CD 7115

Thank you very much for your reading. Please Click Here. Then Get COMPLETE MANUAL. NO WAITING



NOTE:

If there is no response to click on the link above, please download the PDF document first and then click on it.

KEY PART NO.	DESCRIPTION	QTY	SERIAL NO.	REMARKS
1	AU44031 EXCAVATOR BOOM	1		X X X ASSY, INCL. KEY 2, SUB. FOR AU41067
	DD14295 EXCAVATOR ROOM	1		(A) ASSY, INCL. KEY 2
2	U46742 YOKE	1		X X X
3	24H1579 WASHER	2		X X X 1. 27/32"X2-1/2"X. 250"
4	U46745 PIN	1		X X X
5	19H1739 CAP SCREW	1		X X X 1/2"X4-1/2"
6	BP12214 LOCK NUT	5		X X X 1/2"
7	AU13296 PIN	1		X X X ASSY, INCL. KEY 9
8	19H1781 CAP SCREW	3		X X X 1/2"X3-1/2"
9	JD7759 LUBRICATION FITTING	1		X X X 3/8"
10	U15822 PIN	1		X X X
11	19H1868 CAP SCREW	1		X X X 1/2"X3-3/4"
12	U16970 SHAFT KEY	1		X X X
13	U11649 WASHER	AR		X X X SUB. FOR U11650
14	U15845 PIN	2		X X X

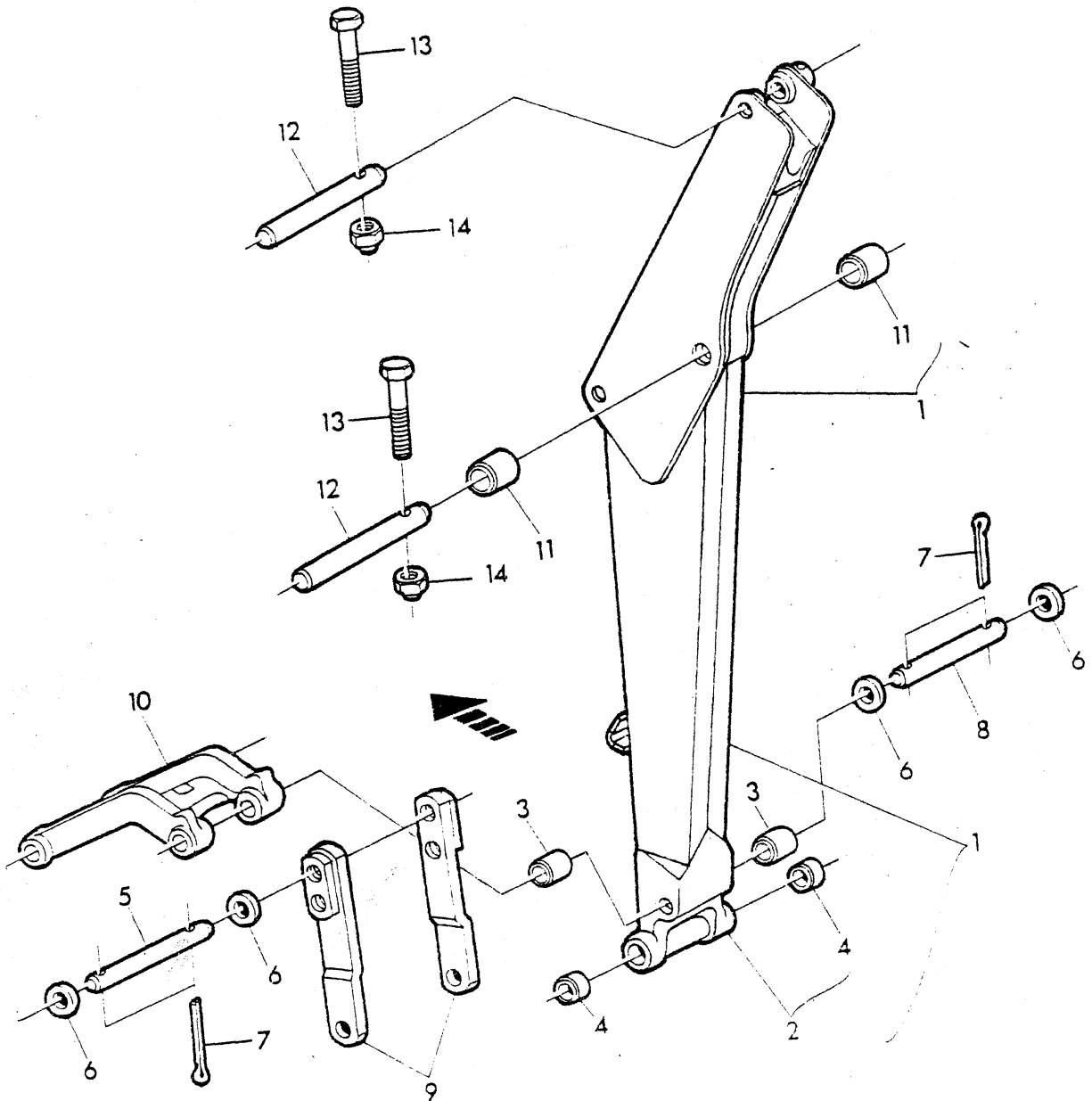
(A) WITH EXTENDIBLE DIPPERSTICK
 AVEC BRAS EXCAVATEUR EXTENSIBLE
 BEI AUSFAHRBAREN LÖFBELAUSLEGER
 CON BRACCIO DI SCAVO ESTENSIBILE
 CON BRAZO DE CUCHARON EXTENSIBLE
 VID TELESKOPIŠK STIČKA

B 04

120-004



DIPPERSTICK
BRAS EXCAVATEUR
KUEBELAUSLEGER
BRACCIO DI SCAVO
BRAZO DEL CUCHARON
STICKA
CD 7116



CD 7116

(F0)

120-004

KEY PART NO.	DESCRIPTION	QTY	SERIAL NO.	9 5 0 5 0 1	9 5 1 1	REMARKS
1 AU 43182	DIPPERSTICK	1	-007509	X	X	ASSY, INCL. KEYS 2-4.
AT 63230	DIPPERSTICK	1	007510-	X	X	ASSY, INCL. KEYS 2-4.
2 AU 43181	YOKE	1		X	X	ASSY, INCL. KEYS 3, 4
3 CD 14410	BUSHING	2		X	X	SUB. FOR U11121
4 CD 14409	BUSHING	2		X	X	SUB. FOR U41599
5 AU 13556	PIN	1	-007509	X	X	ASSY, INCL. KEYS 6, 7
T 34428	PIN	1	007510-	X	X	
6 U 11649	WASHER	2		X	X	W/T34425, I. D. =38, 5M
U 11649	WASHER	2	-007509	X	X	W/AU13556
U 11650	WASHER	2	007510-	X	X	W/T34428, I. D. =44, 85
7 11H 221	COTTER PIN	4		X	X	3/8"X2-1/2"
8 T 34425	PIN	1		X	X	SUB. FOR AU13558
9 DD 13638	LINK	2	-007509	X	X	SUB. FOR DD12355
DD 13639	LINK	2	007510-	X	X	
10 U 42813	LINK	1	-007509	X	X	
T 66680	LINK	1	007510-	X	X	
11 T 46407	BUSHING	2		X	X	
12 U 15822	PIN	2		X	X	
13 19H 1781	CAP SCREW	2		X	X	1/2"X3. 1/2"
14 BP 12214	NUT	2		X	X	1/2"