

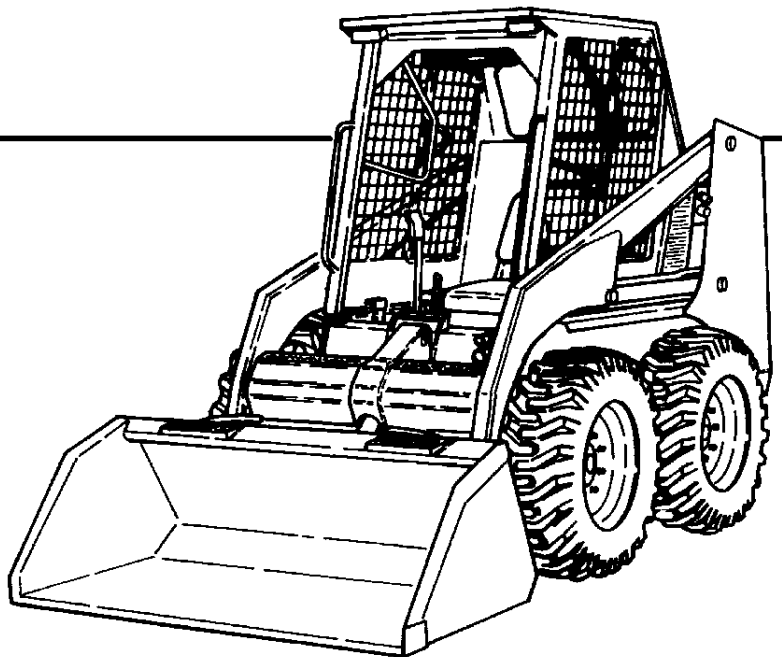
753



Bobcat®

Parts Manual

S/N 5086 11001 - 29999



753 ALPHABETICAL INDEX

AIR CLEANER	154, 158, 160, 200	LEVER, STEERING	90
ALARM, BACKUP	208	LIFT ARM	26
ALTERNATOR 122-130, 138-142, 170, 238		LIFT KITS	294, 295, 297, 298
ANTI-FREEZE	340	LIGHT	118, 120, 122, 126, 130
AXLE	41	LIGHTS, FLASHER	264
BATTERY	122, 126, 130	LOCK, REAR DOOR	309
BELT, ALTERNATOR	168	MAIN FRAME	12
BELT, COOLING FAN DRIVE	150	MANIFOLD	191
BELT, PUMP DRIVE	162	MODULE, AUX. CONTROLS	118, 120
BLACK GOLD	340	MOTOR CARRIER	37, 38
BLOCK HEATER	212	MOTOR, HYDRO.	94, 96
BOB-TACH	26, 30	MOUNT, ENGINE	170
BOOT, RUBBER	22	MOUNT, HYDRO. PUMP	164, 168
BOSS UNIT	124, 128, 132	MUFFLER	154, 158, 160, 299
BRAKES	40	OIL	340
CAB	14	OIL COOLER	86, 88
CAB ENCLOSURE	230, 234	PAINT	340
CABLE, BATTERY	122, 126, 130	PAN, OIL	184
CAMSHAFT	187, 188	PANEL, INSTRUMENT	118, 120
CAP, FUEL	32	PEDALS, CONTROL	68
CAP, HYD. OIL	82, 84	PISTON	186
CAP, RADIATOR	150	POLISH	340
CHAIN, DRIVE	36	PUMP, FUEL	32, 195
CHAINCASE	12, 36	PUMP, GEAR	113
COOLING FAN DRIVE ASSY.	174	PUMP, HYDRO.	82, 98, 102, 106, 110
COUNTER WEIGHTS 241, 242, 243, 244		PUMP, INJECTION	195, 196
CYLINDER BLOCK	179	PUMP, OIL	180
CYLINDER, LIFT	44, 48, 65, 66, 67	PUMP, WATER	189
CYLINDER, TILT	44, 48, 58, 60	QUICK COUPLERS	56, 304
DECALS	246, 248	RADIATOR	150
DIPSTICK, ENG. OIL	184	RIM, WHEEL	333
DISPLAY, LCD	118, 120	RING GEAR	162
DOOR, CAB	222, 230	SEAT	18, 19, 314, 316, 317
DOOR, REAR	24	SEAT BAR	18
DRIVE MOUNT ASSY.	37, 38	SEAT BELT	18, 326
ENGINE	176	SENDER, FUEL	32
EXTINGUISHER	263	SENSOR, ENG. OIL PRESS. 122, 126, 130	
FAN	150	SENSOR, ENG. TEMP.	122, 126, 130
FILTER, AIR	200	SENSOR, HYD. PRESS.	124, 128, 132
FILTER, ENG. OIL	177	SENSOR, HYDRO. TEMP. 122, 126, 130	
FILTER, FUEL	32	SHOCK, CONTROLS	92
FILTER, HYD. OIL	86, 88	SOLENOID	122, 126, 130
FIRE EXTINGUISHER	263	SPROCKET, AXLE	36, 41
FUEL SYSTEM	32	STARTER	122, 126, 130, 144, 146
FUSE	118	STOP, LIFT ARM	26
GAS SPRING 14, 154, 158, 160, 222, 230		STROBE LIGHT	328, 329, 330
GASKET KIT, ENG.	176	SWITCH, IGNITION	118, 120
GLOW PLUG	197	SWITCH, LIGHT	118, 120
HAND CONTROLS KIT	266, 268	TANK, COOLANT	152
HARNESS, CAB	118, 120	TANK, FUEL	32
HARNESS, CONTROLS	134, 136	TANK, HYDRO.	82, 84
HARNESS, ENGINE	122, 126, 130	THERMOSTAT	190
HARNESS, LIGHTS	122, 126, 130	THROTTLE	172
HEAD, CYLINDER	183	TILT STOP KIT	331
HEATER	275, 281, 284	TIRES	333
HOOD, ENGINE 24, 154, 158, 160, 288		VALVE COVER	181
HORN	289, 290	VALVE, BUCKET POS.	80, 216
HOURMETER	291	VALVE, CONTROL	70, 76
HUB, AXLE	41	VALVE, ENGINE	182
INJECTION NOZZLES	197, 198	WINDOW, REAR	14, 236, 324
LATCH, REAR DOOR	24	WINDOW, SIDE	236
LEVER, PINTLE	90	WINDSHIELD WIPER	222, 312

753 CONTENTS

MAIN FRAME	12-37
MAIN FRAME	12-13
OPERATOR CAB	14-17
SEAT & SEAT BAR	18-19
SEAT	20-23
PANELS	24-25
REAR DOOR	26-27
LIFT ARM & BOB-TACH	28-31
BOB-TACH	32-33
FUEL SYSTEM	34-37
DRIVE TRAIN	38-47
DRIVE TRAIN	38-39
MOTOR CARRIER	40-43
DISC BRAKE	44-45
AXLE	46-47
HYDRAULIC SYSTEM	48-89
HYDRAULIC CIRCUITRY	48-59
AUXILIARY HYDRAULICS	60-61
TILT CYLINDER	62-69
LIFT CYLINDER	70-75
CONTROL PEDALS	76-77
HYDRAULIC CONTROL VALVE	78-87
BUCKET POSITIONING VALVE	88-89
HYDROSTATIC SYSTEM	90-127
HYDROSTATIC CIRCUITRY	90-97
HAND CONTROLS	98-101
HYDROSTATIC MOTOR	102-105
HYDROSTATIC PUMP	106-121
GEAR PUMP	122-123
HYDROSTATIC OIL FILTER	124-127
ELECTRICAL SYSTEM	128-159
CAB ELECTRICAL CIRCUITRY	128-131
ENGINE ELECTRICAL CIRCUITRY	132-143
CONTROLS ELECTRICAL	144-147
ALTERNATOR	148-153
STARTER	154-157
STARTER KIT	158-159
POWER UNIT	160-227
COOLING SYSTEM	160-163
ENGINE & ATTACHING PARTS	164-181
THROTTLE	182-183
COOLING FAN DRIVE ASSY.	184-185
ENGINE & GASKET KITS	186-187
GEARCASE	188-189
CRANKCASE	190-191
ROCKER ARM COVER	192-193
VALVE ROCKER ARM	194-195
CYLINDER HEAD	196-197
OIL PAN	198-199
PISTON & CRANKSHAFT	200-201
FUEL CAMSHAFT	202-203
CAMSHAFT	204-205
WATER PUMP	206-207
WATER FLANGE & THERMOSTAT	208-209

753 CONTENTS (Cont'd)

POWER UNIT (CONT'D)	160-227
MANIFOLDS	210-211
ENGINE STOP LEVER	212-213
GOVERNOR	214-215
SPEED CONTROL PLATE	216-217
INJECTION PUMP	218-221
INJECTOR NOZZLES	222-223
INJECTOR HOLDER	224-225
AIR CLEANER	226-227
ACCESSORIES & OPTIONS	231-412
ACCESS COVER	231-234
AIR DEFLECTOR KIT	235-236
AXLE SEAL KIT	237-238
BACK-UP ALARM	239-242
BEACON LIGHT	243-244
BLOCK HEATER	245-246
BOB-TACH LEVERS	247-248
BUCKET POSITION ON-OFF KIT	249-250
BUCKET POSITIONING VALVE KIT	251-254
BUMPERS	255-256
CAB DOOR	257-264
CAB ENCLOSURE	265-270
CAB WINDOWS	271-272
CLOSED ALTERNATOR	273-276
COUNTERWEIGHT KIT	277-284
DECALS	285-288
ELECTRICAL CONTROLS KIT	289-292
ENGINE MOUNT KIT	293-294
EUROPEAN ACCESSORIES	295-302
FENDER BRACE KIT	303-304
FIRE EXTINGUISHER	305-306
FLASHER LIGHTS	307-308
HAND CONTROL KIT	309-316
HANDLE KITS	317-318
HEATER KIT (FRESH AIR)	319-322
HEATER (FRESH AIR)	323-326
HEATER PLUMBING KIT (FRESH AIR)	327-328
HEATER KIT	329-330
HEATER	331-332
HEATER PLUMBING KIT	333-334
HOOD KIT	335-336
HORN & ELECTRICAL CONTROLS KIT	337-338
HORN KIT	339-340
HOURLY METER KIT	340-341
INSECT SCREEN KIT	342-343
KEYLESS IGNITION	344-345
LIFT KIT	346-354
MUFFLER/PURIFIER KIT	355-358
RADIATOR SCREEN KIT	359-360
REAR AUXILIARY	361-364
REAR AUXILIARY VALVE	365-366
REAR AUX. IN-LINE FILTER	367-368
REAR DOOR LOCK	369-370
REAR WIPER	371-372
SEAT	373-378

753 CONTENTS (Cont'd)

ACCESSORIES & OPTIONS (CONT'D)	231-412
SEAT BAR KIT	379-384
SEAT BELT	385-386
SOUND KIT	387-388
SOUND OPTION	389-390
SOUND REDUCTION HARDHAT	391-392
STROBE LIGHT	393-398
TILT STOP KIT	399-400
TIMER KIT	401-402
TIRES & RIMS	403-408
TOOL BOX	409-410
BULK ITEMS	411-412
NUMERICAL INDEX	413-470
NUMERICAL INDEX	413-470

753 CONTENTS

MAIN FRAME	12-37
MAIN FRAME	12-13
OPERATOR CAB	14-17
SEAT & SEAT BAR	18-19
SEAT	20-23
PANELS	24-25
REAR DOOR	26-27
LIFT ARM & BOB-TACH	28-31
BOB-TACH	32-33
FUEL SYSTEM	34-37
DRIVE TRAIN	38-47
DRIVE TRAIN	38-39
MOTOR CARRIER	40-43
DISC BRAKE	44-45
AXLE	46-47
HYDRAULIC SYSTEM	48-89
HYDRAULIC CIRCUITRY	48-59
AUXILIARY HYDRAULICS	60-61
TILT CYLINDER	62-69
LIFT CYLINDER	70-75
CONTROL PEDALS	76-77
HYDRAULIC CONTROL VALVE	78-87
BUCKET POSITIONING VALVE	88-89
HYDROSTATIC SYSTEM	90-127
HYDROSTATIC CIRCUITRY	90-97
HAND CONTROLS	98-101
HYDROSTATIC MOTOR	102-105
HYDROSTATIC PUMP	106-121
GEAR PUMP	122-123
HYDROSTATIC OIL FILTER	124-127
ELECTRICAL SYSTEM	128-159
CAB ELECTRICAL CIRCUITRY	128-131
ENGINE ELECTRICAL CIRCUITRY	132-143
CONTROLS ELECTRICAL	144-147
ALTERNATOR	148-153
STARTER	154-157
STARTER KIT	158-159
POWER UNIT	160-227
COOLING SYSTEM	160-163
ENGINE & ATTACHING PARTS	164-181
THROTTLE	182-183
COOLING FAN DRIVE ASSY.	184-185
ENGINE & GASKET KITS	186-187
GEARCASE	188-189
CRANKCASE	190-191
ROCKER ARM COVER	192-193
VALVE ROCKER ARM	194-195
CYLINDER HEAD	196-197
OIL PAN	198-199
PISTON & CRANKSHAFT	200-201
FUEL CAMSHAFT	202-203
CAMSHAFT	204-205
WATER PUMP	206-207
WATER FLANGE & THERMOSTAT	208-209

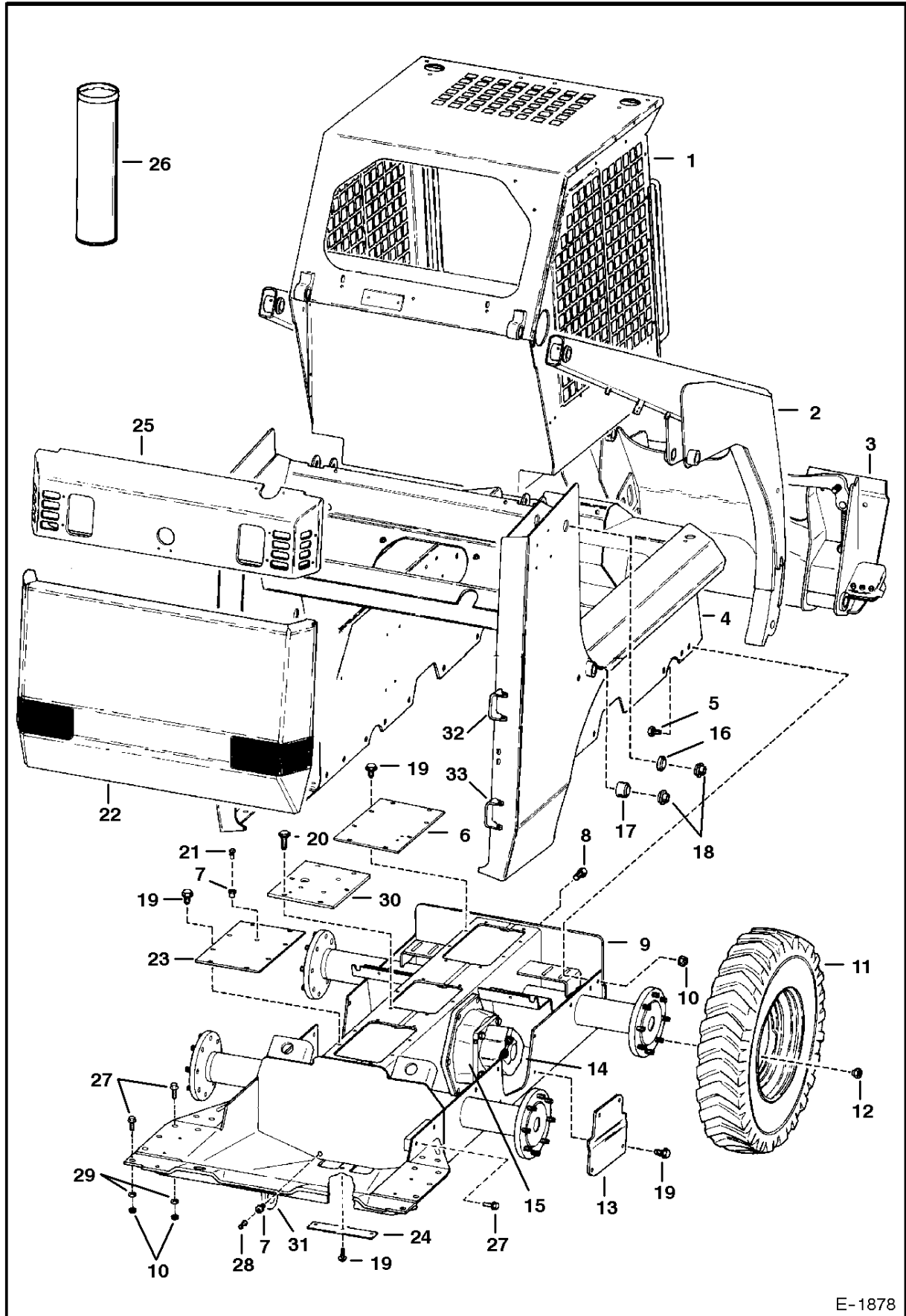
753 CONTENTS (Cont'd)

POWER UNIT (CONT'D)	160-227
MANIFOLDS	210-211
ENGINE STOP LEVER	212-213
GOVERNOR	214-215
SPEED CONTROL PLATE	216-217
INJECTION PUMP	218-221
INJECTOR NOZZLES	222-223
INJECTOR HOLDER	224-225
AIR CLEANER	226-227
ACCESSORIES & OPTIONS	231-412
ACCESS COVER	231-234
AIR DEFLECTOR KIT	235-236
AXLE SEAL KIT	237-238
BACK-UP ALARM	239-242
BEACON LIGHT	243-244
BLOCK HEATER	245-246
BOB-TACH LEVERS	247-248
BUCKET POSITION ON-OFF KIT	249-250
BUCKET POSITIONING VALVE KIT	251-254
BUMPERS	255-256
CAB DOOR	257-264
CAB ENCLOSURE	265-270
CAB WINDOWS	271-272
CLOSED ALTERNATOR	273-276
COUNTERWEIGHT KIT	277-284
DECALS	285-288
ELECTRICAL CONTROLS KIT	289-292
ENGINE MOUNT KIT	293-294
EUROPEAN ACCESSORIES	295-302
FENDER BRACE KIT	303-304
FIRE EXTINGUISHER	305-306
FLASHER LIGHTS	307-308
HAND CONTROL KIT	309-316
HANDLE KITS	317-318
HEATER KIT (FRESH AIR)	319-322
HEATER (FRESH AIR)	323-326
HEATER PLUMBING KIT (FRESH AIR)	327-328
HEATER KIT	329-330
HEATER	331-332
HEATER PLUMBING KIT	333-334
HOOD KIT	335-336
HORN & ELECTRICAL CONTROLS KIT	337-338
HORN KIT	339-340
HOURMETER KIT	340-341
INSECT SCREEN KIT	342-343
KEYLESS IGNITION	344-345
LIFT KIT	346-354
MUFFLER/PURIFIER KIT	355-358
RADIATOR SCREEN KIT	359-360
REAR AUXILIARY	361-364
REAR AUXILIARY VALVE	365-366
REAR AUX. IN-LINE FILTER	367-368
REAR DOOR LOCK	369-370
REAR WIPER	371-372
SEAT	373-378

753 CONTENTS (Cont'd)

ACCESSORIES & OPTIONS (CONT'D)	231-412
SEAT BAR KIT	379-384
SEAT BELT	385-386
SOUND KIT	387-388
SOUND OPTION	389-390
SOUND REDUCTION HARDHAT	391-392
STROBE LIGHT	393-398
TILT STOP KIT	399-400
TIMER KIT	401-402
TIRES & RIMS	403-408
TOOL BOX	409-410
BULK ITEMS	411-412
NUMERICAL INDEX	413-470
NUMERICAL INDEX	413-470

MAIN FRAME



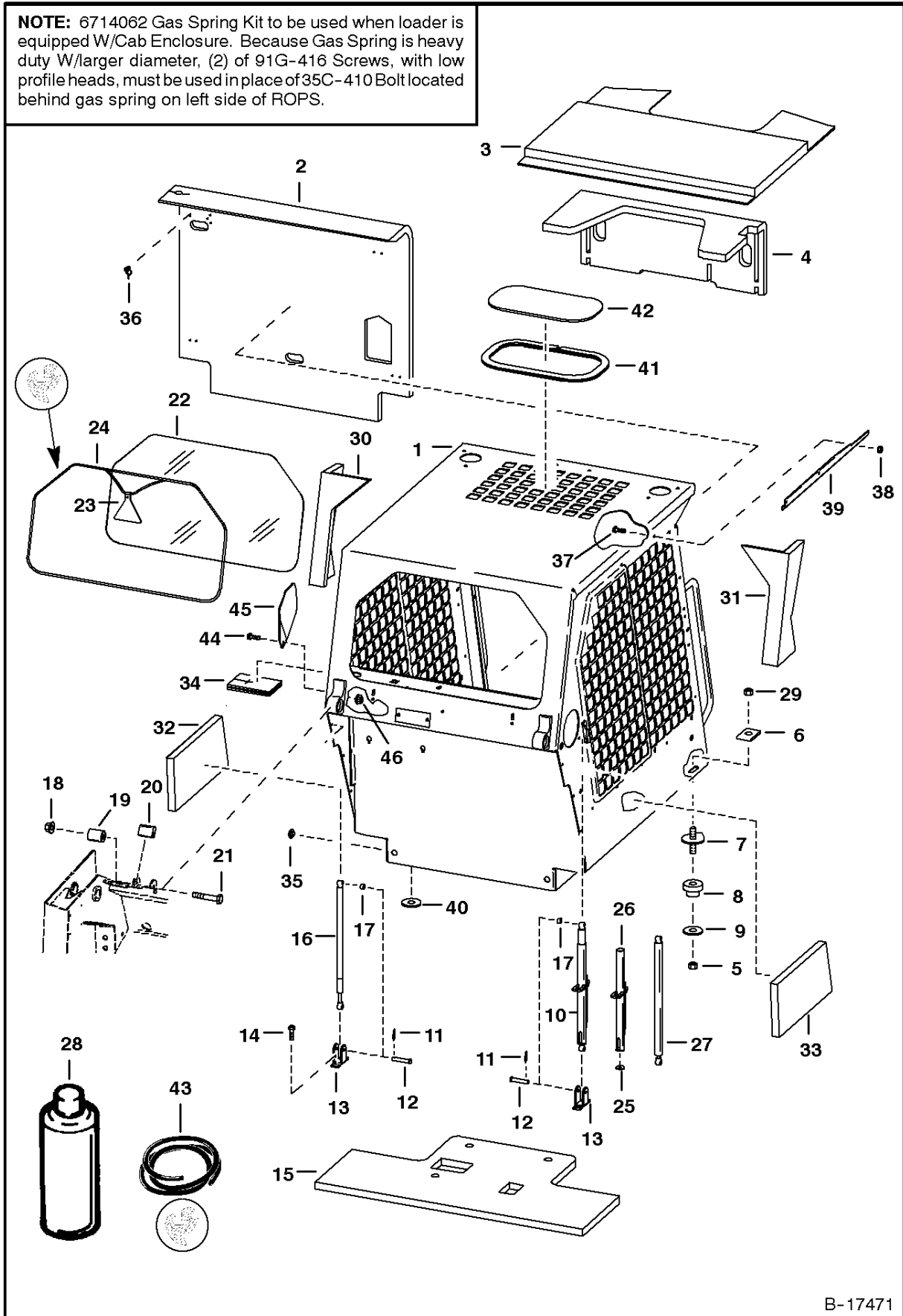
E-1878

MAIN FRAME

Ref.N°	Part N°	Description	Remarks	Serial N°	Qty.
1		OPERATOR CAB	See Page OPERATOR CAB(1) - Was SALES [D]		1
2		LIFT ARM	See Page LIFT ARM & BOB-TACH(1)		1
3		BOB-TACH	See Page BOB-TACH(1)		1
4	NAP	MAIN FRAME	See BTI 316 - Was 6708984 [A]		1
5	31C-820	BOLT			16
6	6578505	COVER	See Page DISC BRAKE(1)		1
7	6553411	BUSHING			2
8	11F-12	PLUG	chaincase fill - Was 40K-12 [B]		1
9		CHAINCASE	See Page DRIVE TRAIN(1)		1
10	83D-8	NUT			28
11		TIRE & RIMS	See Page TIRES & RIMS(1)-TIRES & RIMS(1)		4
12	6564669	NUT	wheel		32
13	6703189	COVER	Bottom holes 11'(279,4 mm) centers - Was 6578352 [A]	5086 19226 & Bel	2
13	6704695	COVER	Bottom holes 13' (330,2 mm) centers	5086 19227 & Abv	2
14		MOTOR	hydro. - See Page HYDROSTATIC MOTOR(1)-HYDRO STATIC MOTOR(1)		2
15		MOUNT ASSY.	drive motor -See Page MOTOR CARRIER(1) & MOTOR CARRIER(1)		2
16	6702583	BUSHING	weld on - Was 6577955 [A]		2
17	6555987	BUSHING	weld on		2
18	6702584	BUSHING	weld on		4
19	84G-3712	BOLT	See Page DISC BRAKE(1)		x
20		BOLT	See Page DISC BRAKE(1)		x
21	6670627	BREATHER	Was 6646626 [A]		1
22		REAR DOOR	See Page REAR DOOR(1)		1
23	6700330	COVER			1
24	6700182	COVER			1
25		HOOD	See Page REAR DOOR(1), ENGINE & ATTACHING PARTS(1)-ENGINE & ATTACHING PARTS(1) & HOOD KIT(1) - Was 6578046 [A]		1
26	6633583	SEALANT	chaincase cover		x
27	31C-824	BOLT			12
28	6599645	PLUG	chaincase drain		1
29	6701097	WASHER			10
30	6704334	COVER	See Page DISC BRAKE(1) - Was 6575962 [A]		1
31	6706485	HOOK	tie down - weld on		2
32	6577394	BRACKET	hinge - weld on		1
33	6708987	BRACKET	hinge - weld on		1

OPERATOR CAB

NOTE: 6714062 Gas Spring Kit to be used when loader is equipped W/Cab Enclosure. Because Gas Spring is heavy duty W/larger diameter, (2) of 91G-416 Screws, with low profile heads, must be used in place of 35C-410 Bolt located behind gas spring on left side of ROPS.



B-17471

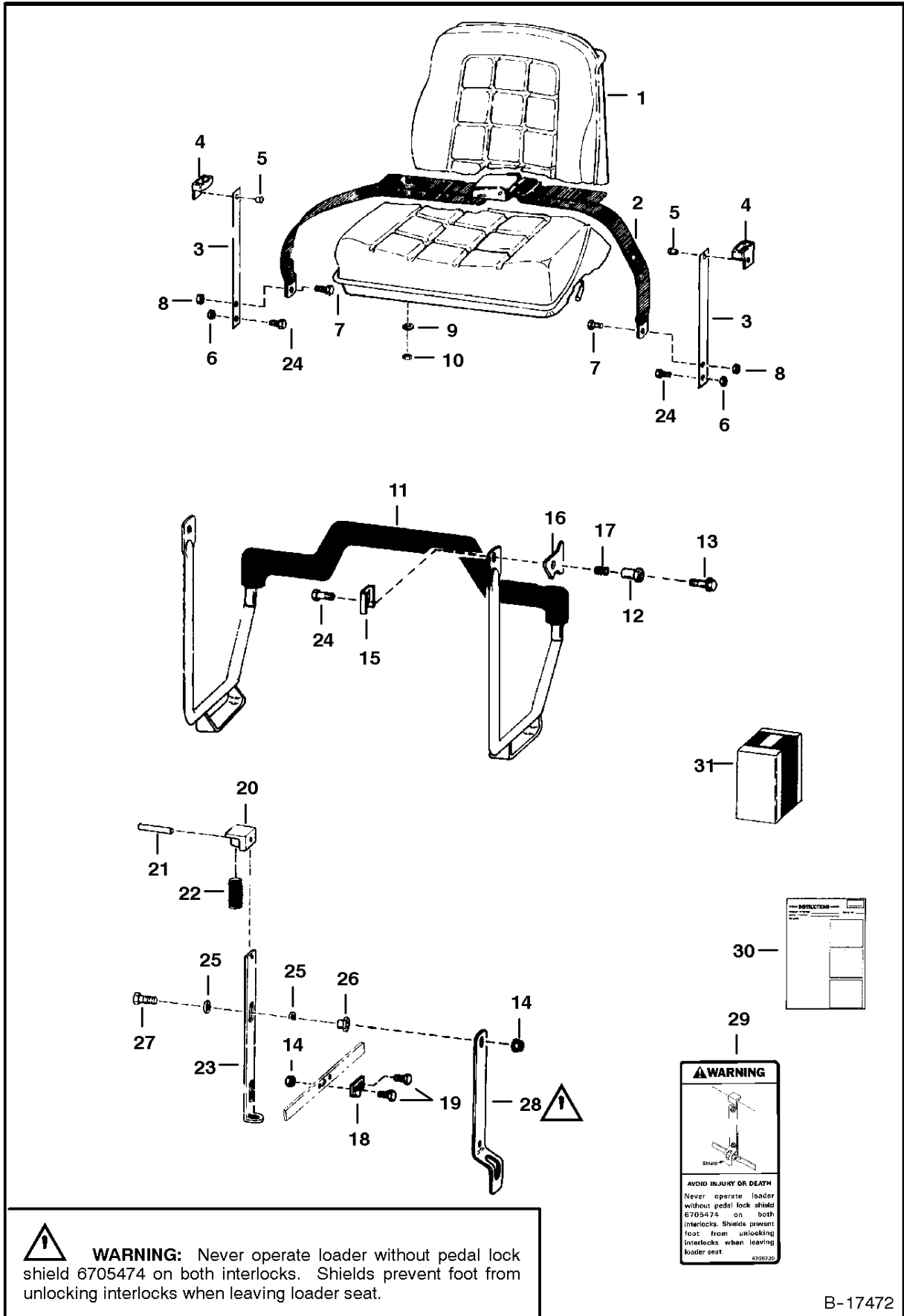
OPERATOR CAB

Ref.N°	Part N°	Description	Remarks	Serial N°	Qty.
1	6701957	OPERATOR CAB	includes cab decals -Also Order (2) of Ref. OPERATOR CAB(40) - Was SALES [D]		1
2	6706569	INSULATION	seat back - Use W/Ref. OPERATOR CAB(28) - Was 6701553 [A]		1
2	6708682	INSULATION	seat back-shown-Use W/Ref. OPERATOR CAB(36) - Was 6705816[A]		1
3	6701519	INSULATION	cab top - Use W/Ref. OPERATOR CAB(28)		1
3	6706155	INSULATION	cab top - held in place by side window rail & top window seal		1
4	6701658	INSULATION	control panel - Use W/Ref. OPERATOR CAB(28)		1
5	85D-8	NUT			2
6	6553709	WASHER			2
7	6702971	BOLT	Was 6568398 [A]		2
8	6560633	MOUNT			2
9	6515817	WASHER			2
10	NAP	GAS SPRING	Order Ref. OPERATOR CAB(25)-OPERATOR CAB(27) - Was 6701176 [A]		1
11	6631418	PIN			4
12	6567743	PIN			4
13	6706349	MOUNT	Was 6576340 [A]		2
14	84G-3112	BOLT			4
15	6706982	INSULATION	seat pan - Use W/Ref. OPERATOR CAB(28) - Was 6700286 [A]		1
16	6700171	GAS SPRING	W/O lock - Was 6706590 [A]		1
16	6714062	KIT	W/O lock -heavy duty gas spring - SEE NOTE		1
16	91G-416	BOLT	SEE NOTE - Was 91G-410 [B]		2
17	6567604	SPACER			2
18	53D-10	NUT	Was 83D-10 [B]		2
19	6562602	BUSHING	rubber		2
20	6579613	STOP	cab tilt		2
21	17C-1056	BOLT			2
22	6701651	WINDOW	rear		1
23	6559515	EXIT TAG			1
24	NAP	MOULDING	81.5'(2070,1 mm) long - Order Ref. OPERATOR CAB(43)		1
24	NAP	CORD	81.5'(2070,1 mm) long - Order Ref. OPERATOR CAB(43)		1
25	6701174	WASHER			1
26	6708189	TUBE	stop - Was 6701175 [A]		1
27	6664205	GAS SPRING	Was 6655389 [A]		1
28	6652818	ADHESIVE	insulation - 24 oz. spray can - Was 6632469 [A]		x
29	59D-8	NUT			2
30	6703449	INSULATION	cab back - Use W/Ref. OPERATOR CAB(28)		1
30	6715098	INSULATION	cab back - Use W/Ref. OPERATOR CAB(36) - Was 6706156 [A]		1
31	6703450	INSULATION	cab back - Use W/Ref. OPERATOR CAB(28)		1
31	6715097	INSULATION	cab back - Use W/Ref. OPERATOR CAB(36) - Was 6706157 [A]		1
32	6703451	INSULATION	cab back - Use W/Ref. OPERATOR CAB(28)		1
33	6703452	INSULATION	cab back - Use W/Ref. OPERATOR CAB(28)		1
34	6703455	INSULATION	cab back - Use W/Ref. OPERATOR CAB(28)		1
35	6664374	PLUG	heater hole		5
36	6664310	CLIP	insulation		8
37	35C-410	BOLT			4
38	83D-4	NUT			4
39	6703159	TRACK	R.H.		1
39	6703160	TRACK	L.H.		1
40	6571991	WASHER	spacer - for seat rear mounting bolts - Was 6707318 [A]		2

OPERATOR CAB

Ref.N°	Part N°	Description	Remarks	Serial N°	Qty.
41	6664351	SEAL	Used W/ Cab Headliner		1
41	6665012	SEAL	Used W/O Cab Headliner		1
42	6705735	WINDOW			1
43	6665568	SEAL	bulk - Sold Per Foot - Was 6658352 [B]		x
43	6554149	CORD	bulk - Sold Per Foot		x
44	17C-512	BOLT			1
45	6707879	COVER	for BICS cab		1
46	83D-5	NUT			1

SEAT & SEAT BAR



WARNING: Never operate loader without pedal lock shield 6705474 on both interlocks. Shields prevent foot from unlocking interlocks when leaving loader seat.

WARNING

AVOID INJURY OR DEATH

Never operate loader without pedal lock shield 6705474 on both interlocks. Shields prevent foot from unlocking interlocks when leaving loader seat.

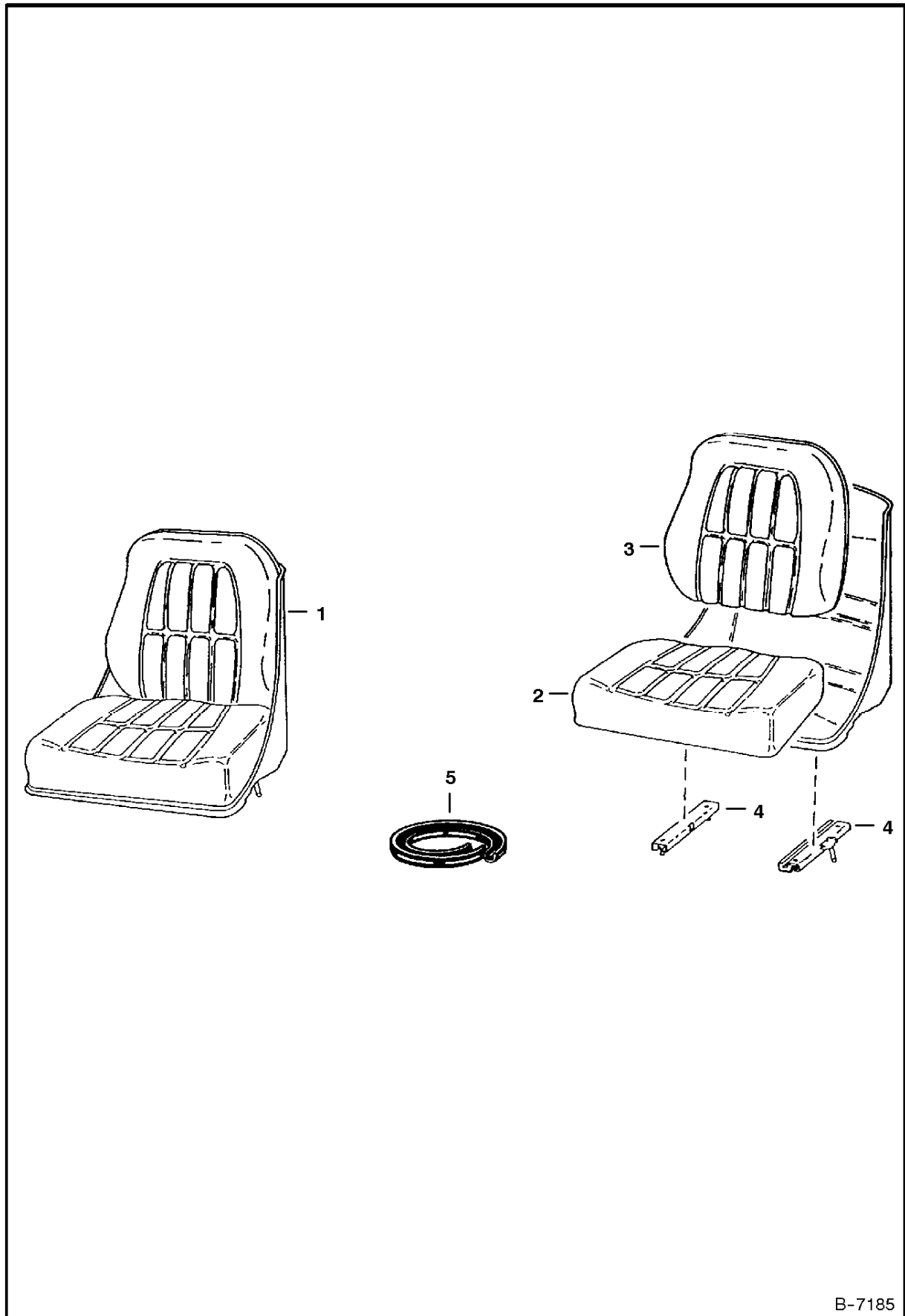
6705474

B-17472

SEAT & SEAT BAR

Ref.N°	Part N°	Description	Remarks	Serial N°	Qty.
1		SEAT	See Page SEAT(1)		1
2	NAP	SEAT BELT	Order Ref. SEAT & SEAT BAR(32) - Was 6564774 [A]		1
2	NAP	SEAT BELT	Order 6725403inD1}k Seat Belt - Was 6667875 [A]		1
2	6725403	SEAT BELT	W/guides		1
3	NAP	GUIDE ASSY.	W/Ref. SEAT & SEAT BAR(4) & SEAT & SEAT BAR(5) - 13.75 long - Use W/Ref. SEAT & SEAT BAR(2) (NAP/ 6564774 Seat Belt) - Was 656535		2
3	NAP	SEAT BELT	W/Ref. SEAT & SEAT BAR(4) & SEAT & SEAT BAR(5) - 12.25' (311,2 mm) long - Use W/Ref. SEAT & SEAT BAR(2) (NAP/6667875 Seat Belt)		2
3	6711908	SPRING PLATE	Use W/Ref. SEAT & SEAT BAR(2) (6725403inD1}k Seat Belt)		2
4	6565355	GUIDE			2
5	6630207	RIVET			4
6	85D-6	NUT			2
7	17C-716	BOLT			2
8	85D-7	NUT			2
9	4E-5	WASHER			4
10	61D-5	NUT			4
11	6706324	SEAT BAR	Was 6703301 [A]		1
12	6568742	BUSHING			2
13	35C-608	BOLT			2
14	83D-6	NUT			8
15	6563557	WASHER			2
16	6563313	RETAINER			2
17	6704453	SPRING	Was 6578252 [C]		2
18	6563151	LINK			2
19	17C-616	BOLT			4
20	6563148	BLOCK			2
21	14J-2512	PIN			2
22	6702430	SPRING	Was 6563149 [C]		2
23	6578150	LOCK	Was 6563150 [A]		2
24	17C-612	BOLT			4
25	6700170	WASHER	plastic - Was 6563152 [D]		8
26	6559479	NUT			4
27	6705489	BOLT			4
28	6705474	LOCK SHIELD	Never operate loader without pedal lock shield on both interlocks ... SEE WARNING PREVIOUS PAGE		2
29	6705720	DECAL	Was 6705488 [D]		1
30	6722392	INSTRUCTIONS	For Ref. SEAT & SEAT BAR(28)		1
31	6706796	KIT	gas spring seat bar - See Page SEAT BAR KIT(1)		1
32	NAP	KIT	seat belt - W/Ref. SEAT & SEAT BAR(2) & SEAT & SEAT BAR(3) - Order Ref. SEAT & SEAT BAR(2) (6725 403 Seat Belt) - Was 6713061 [A]		1

SEAT

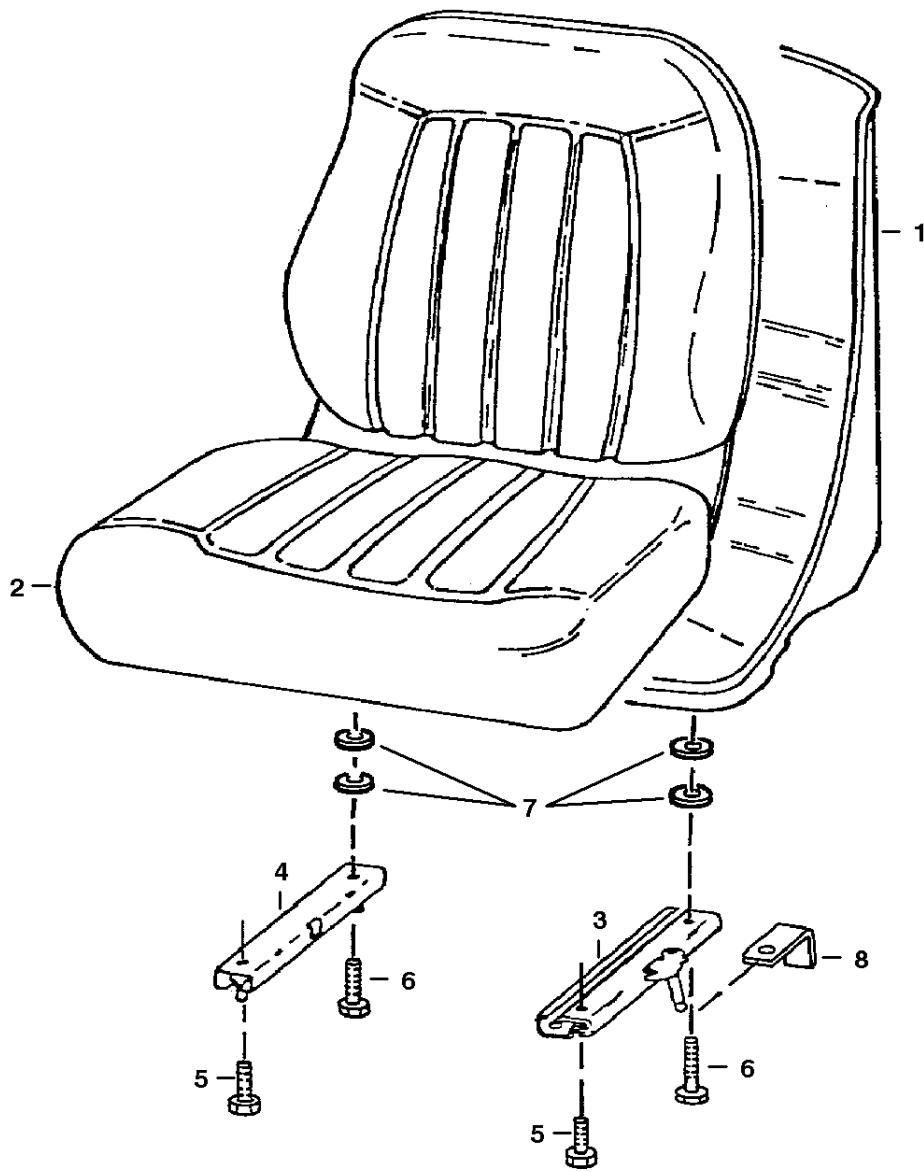


B-7185

SEAT

Ref.N°	Part N°	Description	Remarks	Serial N°	Qty.
1	NAP	SEAT	Order 6669135inD1}H Seat - See Page SEAT(1) - Was 6563140 [A]		1
2	6630468	SEAT CUSHION	seat		1
3	6630465	BACK CUSHION	back		1
4	6630469	TRACK	W/Latch		1
4	6599780	TRACK	WO/Latch		1
5	6652935	EDGING	96" (2,4 m) - For Ref. SEAT(2) & SEAT(3)		x
5	6665656	CLIP			1

**SEAT
(Michigan)**

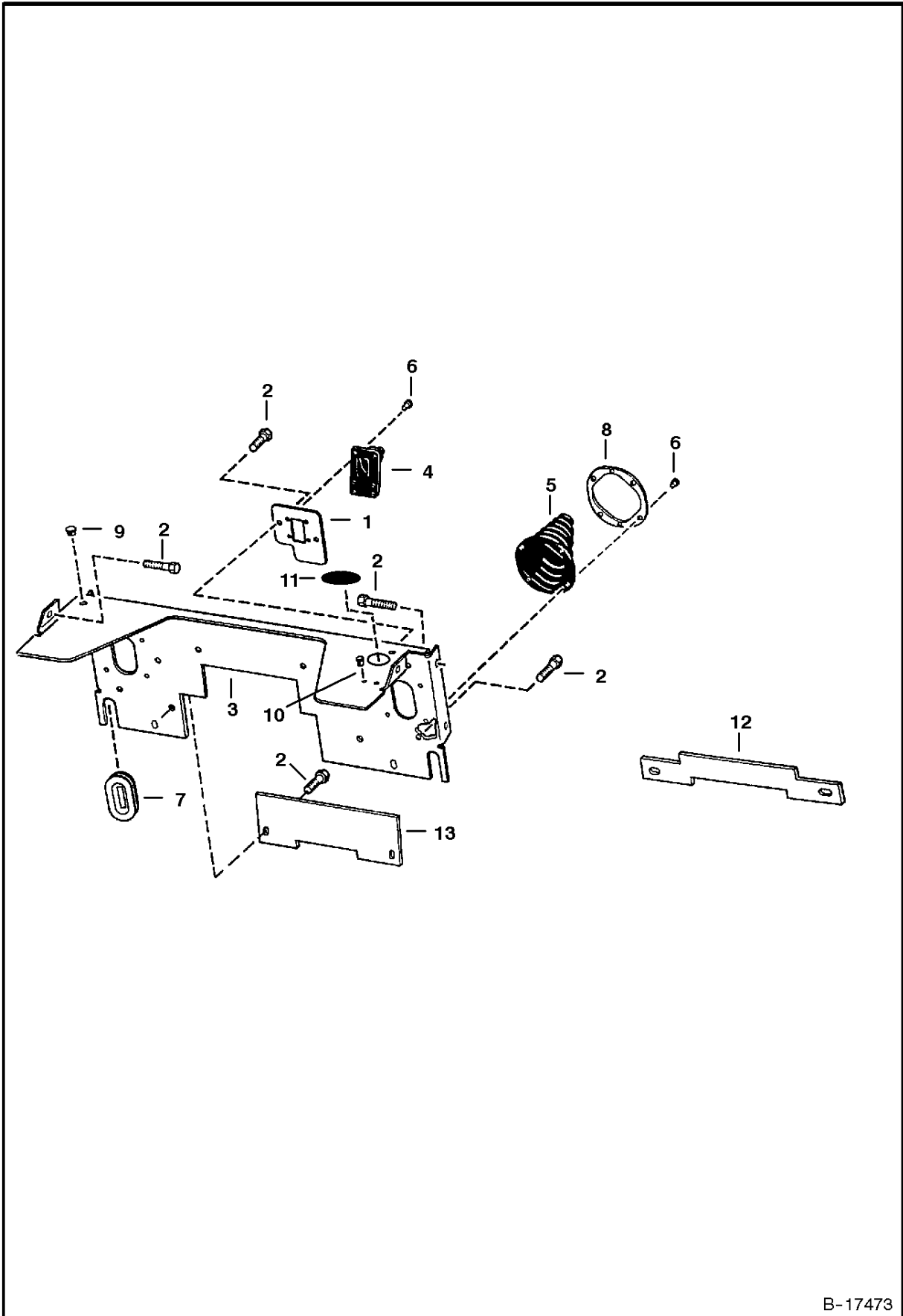


B-14720

SEAT

Ref.N°	Part N°	Description	Remarks	Serial N°	Qty.
1	NAP	SEAT	W/Ref. SEAT(2)-SEAT(5) & SEAT(8) - Order 6669135inD1}H Seat - Was 6667684 [A]		1
1	6669135	SEAT	W/Ref. SEAT(2)-SEAT(7)		1
2	6670160	CUSHION	W/edging, clip & (2) grommets		1
2	NSS	EDGING			1
2	NSS	CLIP			1
3	NAP	TRACK	L.H. - W/10" (254 mm) Latch - Was 6669088 [A]		1
3	6674013	TRACK	L.H. W/8" (203,3 mm) Latch		1
4	6669089	TRACK	R.H. - W/O Latch		1
5	25G-512	BOLT	6669135 Seat uses (2) bolts		4
6	25G-520	BOLT			2
7	7000010	SPACER			4
8	6668953	BRACKET	See S/L Dated 16 April 1996		2

PANELS

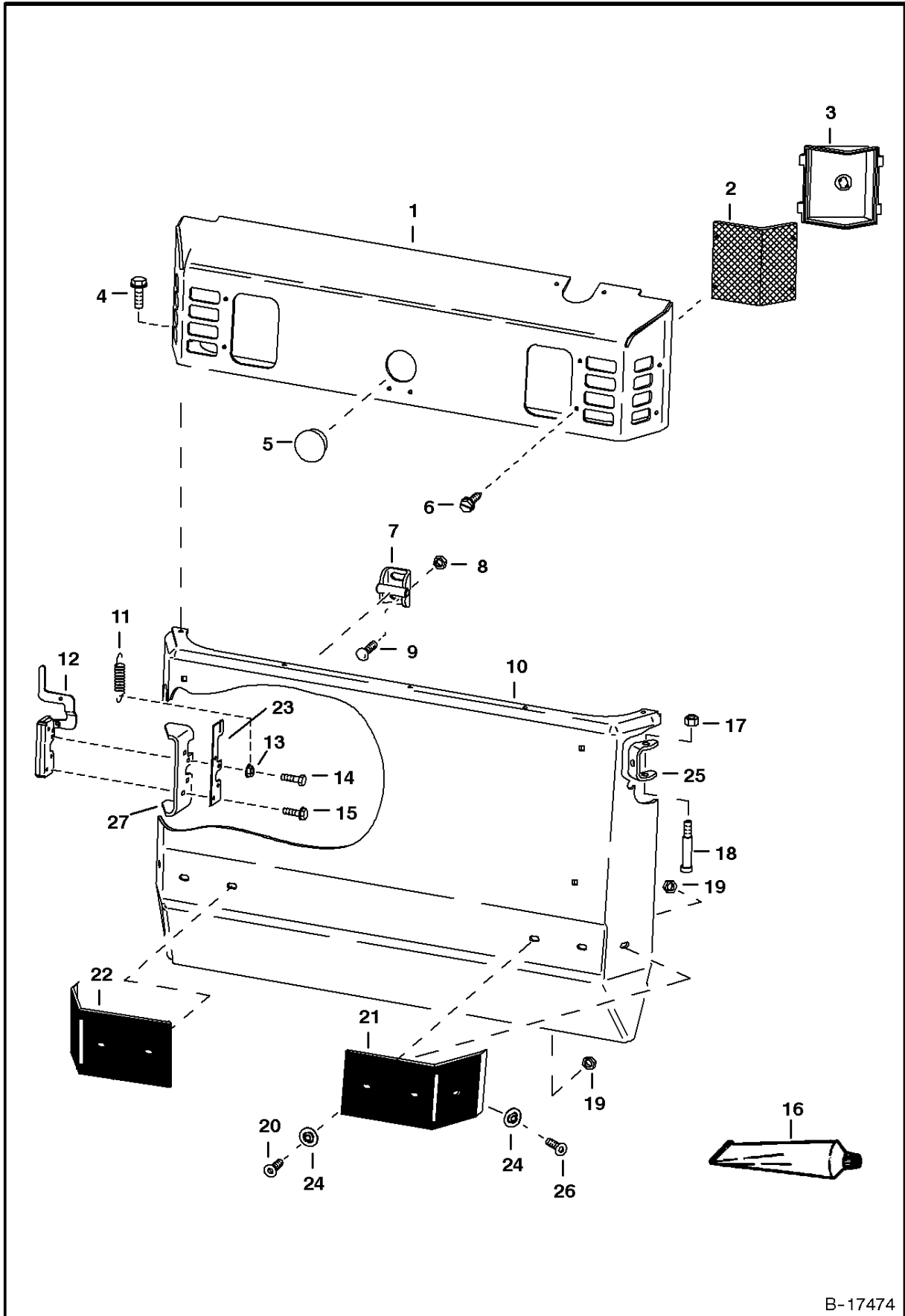


B-17473

PANELS

Ref.N°	Part N°	Description	Remarks	Serial N°	Qty.
1	6576486	COVER			1
2	84G-3712	BOLT			18
3	NAP	SHIELD	Order (2) of Ref. PANELS(2) & (1) ea. of 6717208 Shield & Ref. PANELS(13) - Was 6706917 [A]		1
3	6717208	SHIELD			1
4	6571648	BOOT			1
5	6532127	BOOT	W/Ref. PANELS(8) - Was 6655676 [A]		2
6	6630207	RIVET	Was 6630193 [A]		12
7	6577961	GROMMET			2
8	NAP	PLATE	Order Ref. PANELS(5) - Was 6536392 [A]		2
9	6649949	PLUG			2
10	5289686	PLUG			2
11	6665697	PLUG	for 1.375"(34,9 mm) dia. hole		1
12	NAP	COVER	Order Ref. PANELS(13) - Was 6717890 [B]		1
13	6718446	COVER	5.25" x 13" (133,4mm x 330,2mm)		1

REAR DOOR

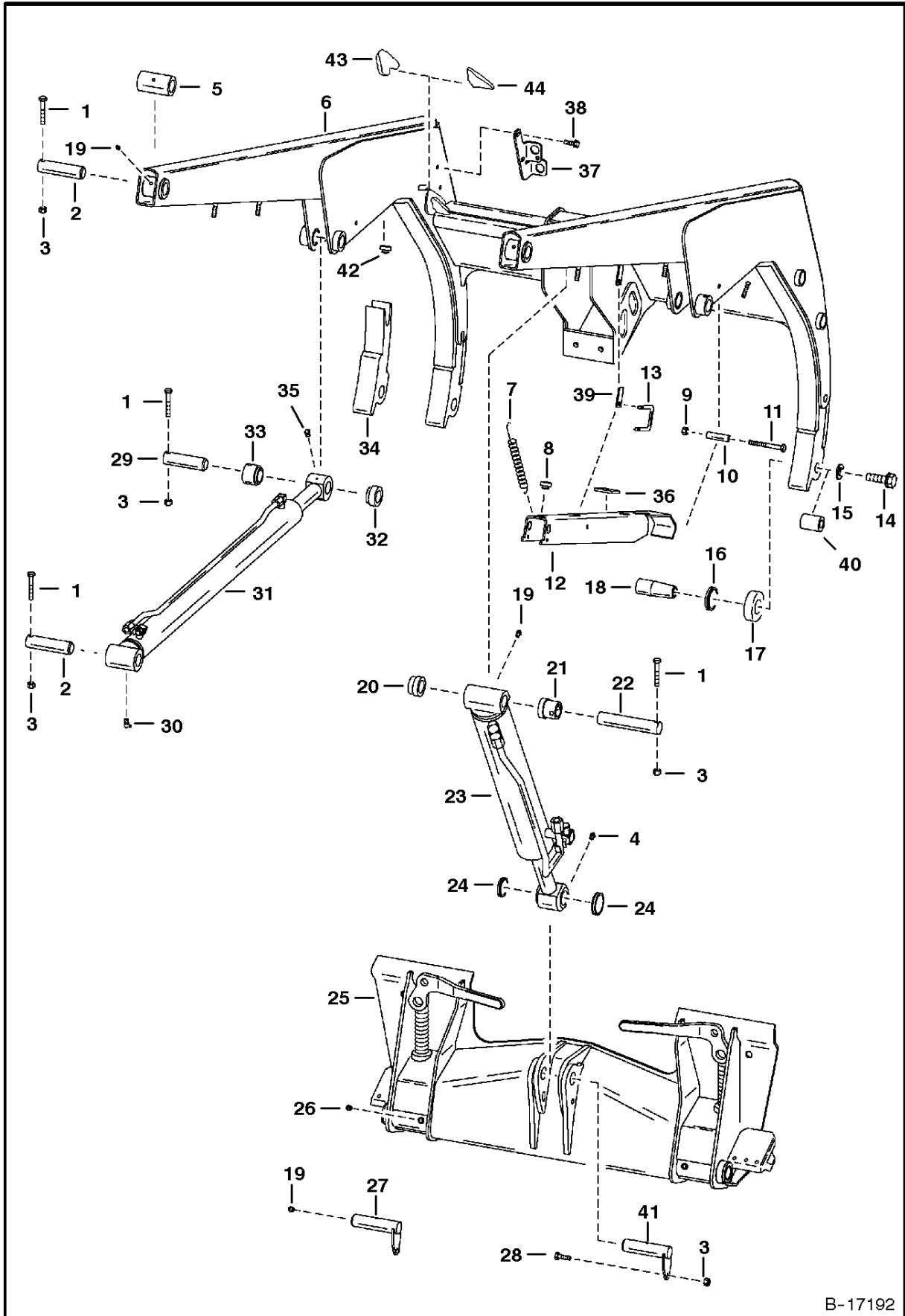


B-17474

REAR DOOR

Ref.N°	Part N°	Description	Remarks	Serial N°	Qty.
1	6703868	HOOD	steel - See Page ENGINE & ATTACHING PARTS(1) - See Page HOOD KIT(1) For Field Kit		1
2	6703797	LENS			2
3	6704362	HOUSING	light		2
4	84G-3716	BOLT			5
5	6718796	PLUG	Was 6660646 [A]		1
6	6706517	SCREW	self tapping - Was 6704400 [A]		8
7	6715157	STRIKER ASSY.	Was 6579969 [A]		1
8	83D-8	NUT			2
9	37C-820	BOLT	Was 10C-820 [B]		2
10	6708624	REAR DOOR	Was 6704639 [A]		1
11	6563128	SPRING			1
12	6649420	LATCH			1
13	57D-4	NUT			1
14	17C-424	BOLT			1
15	31C-420	BOLT	Was 35C-416 [B]		3
16	6649835	ADHESIVE	Used W/Ref. REAR DOOR(21) & REAR DOOR(22)		x
17	59D-6	NUT	Was 85D-8 [B]		2
18	38C-856	BOLT	Was 17C-868 [B]		2
19	57D-6	NUT	Was 83D-6 [B]		6
20	9G-628	BOLT	Was 25G-624 [B]		4
21	6577400	BUMPER	bond W/Ref. REAR DOOR(16)		1
22	6577401	BUMPER	bond W/Ref. REAR DOOR(16)		1
23	6704464	GUIDE	latch		1
24	6704332	WASHER			6
25	6577395	HINGE			2
26	9G-620	BOLT			2
27	6700279	LATCH PLATE	latch		1

LIFT ARM & BOB-TACH



B-17192

Complete manual From
aservicemanualpdf.com

**Thank you very much
for your reading.**

Please Click Here

**Then Get More
Information.**