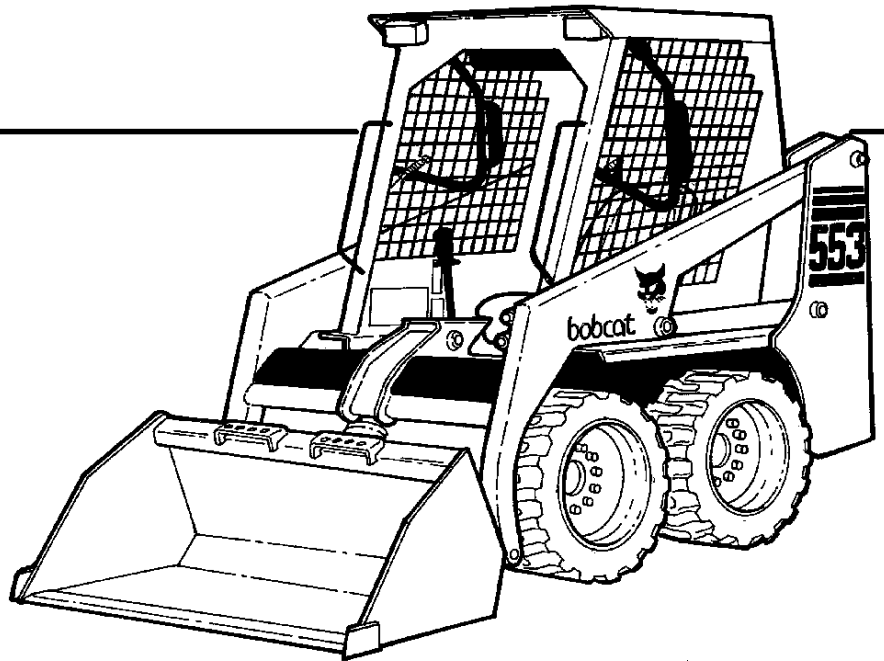


**553**



# Parts Manual

**S/N 5163 11001 & Above**  
**S/N 5164 11001 & Above**



**EQUIPPED WITH  
BOBCAT INTERLOCK  
CONTROL SYSTEM (BICS™)**

**PUBLICATION # 6900512 (12-99)**  
**REPLACES # 6900512 (11-98)**

**MELROE  
INGERSOLL-RAND**

Printed in U.S.A.

 **bobcat®**  
© Melroe Company 1999

## 553F ALPHABETICAL INDEX

AIR CLEANER .....	F21	MANIFOLDS .....	F20
ALTERNATOR .....	D24	MOTOR, HYD. ....	D13
ANTI-FREEZE .....	J16	MOUNT, ENGINE .....	E4
AUX. HYD. KIT .....	G1	MOUNT, HYD. PUMP .....	C16
AXLE SEAL KIT .....	G4	MUFFLER .....	E4
AXLE .....	B11	NOZZLE, INJECTOR .....	F16
BACKUP ALARM .....	G6	OIL COOLER .....	C20
BATTERY .....	D20	OIL PAN .....	F19
BELT, ALTERNATOR .....	E2	OIL, ENGINE .....	J16
BLACK GOLD .....	J16	PAINT .....	J16
BLOWER WHEEL .....	E8	PANEL, INSTRUMENT .....	D16
BOB-TACH .....	A22, A24	PANEL, STEERING .....	B2
BRAKE, CALIPER .....	I2	PEDALS .....	C13
BRAKE .....	B14	PINTLE LEVER .....	C24
CAB .....	A14	PISTON .....	F2
CABLE, BATTERY .....	D20	POLISH, WINDOW .....	J16
CAMSHAFT .....	E23	PORT BLOCK .....	C16, C20
CAP, FUEL .....	B4	PRIMER, FUEL HAND .....	B4
CAP, HYD. BREATHER .....	C16	PUMP, FUEL .....	F6
CAP, RADIATOR .....	E8	PUMP, GEAR .....	D11
CHAIN, DRIVE .....	B9	PUMP, HYD. ....	D2
CHAINCASE .....	B9	PUMP, INJECTION .....	F8
CONTROL LEVERS .....	C24	PUMP, WATER .....	F18
CRANKCASE .....	E20	QUICK COUPLERS .....	G1
CRANKSHAFT .....	F2	RADIATOR .....	E8
CYLINDER HEAD .....	E16	RENTAL KIT .....	I10
CYLINDER, LIFT .....	C4	RIM, WHEEL .....	J11
CYLINDER, TILT .....	C6	RING GEAR .....	E8
DECALS .....	G22, G24	ROCKER ARM COVER .....	E15
DIPSTICK, ENGINE .....	F19	SEAT .....	A18, B5, B6, J4, J6, J8
DOOR, CAB .....	G10-G16	SEAT BELT .....	A18, I21
DOOR, REAR .....	B8	SENDER, ENG. TEMP. ....	D20
ELECTRICAL CONTROLS KIT .....	H2	SENDER, FUEL .....	B4
ENGINE .....	E14	STARTER .....	E2
FILTER, AIR .....	F21	STOP, LIFT ARM .....	A22
FILTER, FUEL .....	B4	STROBE LIGHT .....	I20
FILTER, HYDRAULIC .....	C20	SWITCH, ENG. OIL PRESS. ....	E20
FILTER, OIL .....	E22	SWITCH, GLOW PLUG .....	D16
FIRE EXTINGUISHER .....	H5	SWITCH, HYD. PRESS. ....	D20
FLYWHEEL .....	E8	SWITCH, HYD. TEMP. ....	D20
FUEL SYSTEM .....	B4	SWITCH, IGNITION .....	D16
GAS SPRING .....	A14	TANK HEATER .....	J9
GEARCASE .....	E22	TANK, COOLANT .....	E8
GLOW PLUGS .....	F13	TANK, FUEL .....	B4
GOVERNOR .....	F10	TANK, HYDRAULIC .....	C16
GRILL .....	E8	THERMOSTAT .....	F17
GUAGE, ENG. TEMP. ....	D16	THROTTLE .....	E10
GUAGE, FUEL .....	D16	TIRES .....	J11
HARNESS, CAB .....	D16	U-JOINT .....	E11, E12
HARNESS, ENGINE .....	D20	VALVE, BUCKET POS. ....	C12
HEATER, BLOCK .....	G20	VALVE, ENGINE .....	E18
HEATER, CAB .....	H10, H12	VALVE, HYD. ....	C8
HORN KIT .....	H14	VALVE, LIFT LOCK .....	C2
HOURMETER .....	D16	VALVE, TILT LOCK .....	C1
IGNITION SWITCH .....	D16	VOLTMETER .....	D16
LATCH, REAR DOOR .....	B8	WHEELS .....	J11
LIFT ARM .....	A22	WINDOW, REAR .....	A14, G16, G18, I14
LIFT KIT .....	I13	WINDOW, SIDE .....	G18
LIGHTS, FLASHER .....	H6, H8	WINDSHIELD WIPER .....	G10-G16, I8
LIGHTS, FRONT & REAR .....	H18		
LOCK, REAR DOOR .....	I6		

**Hello**

**Thank you very much for your download.**

**In the last page of this PDF document.**

**There is a link.**

**Please click on that link and return to our website.**

**Then you can get the complete manual immediately.**

**No need to wait.**

**Thanks for continuing to read the documentation.**

**Best wishes.**

## 553F CONTENTS

<b>MAIN FRAME</b> .....	<b>A11-B8</b>
MAIN FRAME .....	A11
OPERATOR CAB .....	A13-A16
SEAT & SEAT BAR .....	A17-A20
LIFT ARM & BOB-TACH .....	A21
BOB-TACH .....	A23
PANELS .....	B1
FUEL SYSTEM .....	B3
SEAT .....	B5, B6
REAR DOOR .....	B7
<b>DRIVE TRAIN</b> .....	<b>B9-B14</b>
DRIVE TRAIN .....	B9
AXLE .....	B11
DISC BRAKE .....	B13
<b>HYDRAULIC CIRCUITRY</b> .....	<b>B15-C14</b>
HYDRAULIC CIRCUITRY .....	B15-B24
TILT LOCK VALVE .....	C1
LIFT LOCK VALVE .....	C2
LIFT CYLINDER .....	C4
TILT CYLINDER .....	C5
HYDRAULIC CONTROL VALVE .....	C7-C10
BUCKET POSITIONING VALVE .....	C11
CONTROL PEDALS .....	C13
<b>HYDROSTATIC CIRCUITRY</b> .....	<b>C15-D14</b>
HYDROSTATIC CIRCUITRY .....	C15-C22
HAND CONTROLS .....	C23
HYDROSTATIC PUMP .....	D1-D10
GEAR PUMP .....	D11
HYDROSTATIC MOTOR .....	D13
<b>ELECTRICAL SYSTEM</b> .....	<b>D15-E2</b>
CAB ELECTRICAL CIRCUITRY .....	D15-D18
ENGINE ELECTRICAL SYSTEM .....	D19-D22
ALTERNATOR .....	D23
STARTER .....	E1
<b>POWER UNIT</b> .....	<b>E3-F21</b>
ENGINE & ATTACHING PARTS .....	E3-E8
THROTTLE & CHOKE .....	E9
UNIVERSAL JOINT .....	E11, E12
ENGINE .....	E14
ENGINE PARTS BREAKDOWN .....	E15-F20
ROCKER ARM COVER .....	E15
CYLINDER HEAD .....	E16
ROCKER ARM & VALVES .....	E17
CRANKCASE .....	E19
GEAR CASE .....	E21
CAMSHAFT .....	E23
MAIN BEARING CASE .....	E24
PISTON & CRANKSHAFT .....	F1
FUEL CAMSHAFT .....	F3
ENGINE STOP LEVER .....	F5
INJECTION PUMP & FUEL PUMP .....	F6-F8
GOVERNOR .....	F9
SPEED CONTROL PLATE .....	F11
INJECTOR NOZZLES & HOLDERS .....	F13-F16
WATER FLANGE & THERMOSTAT .....	F17
WATER PUMP .....	F18
OIL PAN .....	F19
INTAKE & EXHAUST MANIFOLDS .....	F20
AIR CLEANER .....	F21

## 553F CONTENTS (Cont'd)

<b>ACCESSORIES &amp; OPTIONS</b> .....	<b>G1-J13</b>
AUXILIARY HYDRAULICS KIT .....	G1
ACCESS COVER .....	G3
AXLE SEAL KIT .....	G4
BACKUP ALARM .....	G5
BUCKET POSITION VALVE KIT .....	G7
CAB DOOR .....	G9-G12
CAB ENCLOSURE .....	G13-G16
CAB WINDOWS .....	G17
CAB ENCLOSURE .....	G19
BLOCK HEATER .....	G20
DECALS .....	G21-G24
ELECTRICAL CONTROLS KIT .....	H1-H4
FIRE EXTINGUISHER .....	H5
FLASHER LIGHTS .....	H6
4-WAY FLASHER LIGHT KIT .....	H7
HEATER KIT .....	H9
HEATER .....	H11
HEATER PLUMBING KIT .....	H13
HORN KIT .....	H14
HOSE CLAMP KIT .....	H15
KEYLESS IGNITION .....	H16
LIGHT KIT, FRONT & REAR .....	H17
EXPORT ACCESSORIES .....	H19-H24
CALIPER BRAKE KIT (EXPORT) .....	I1-14
PEDAL EXTENDERS (EXPORT) .....	I5
REAR DOOR LOCK .....	I6
REAR WIPER KIT .....	I7
RENTAL KIT .....	I9
SEAT BAR KIT .....	I12
SINGLE POINT LIFT KIT .....	I13
SOUND OPTION .....	I14-I16
SOUND REDUCTION HARDHAT .....	I17
BEACON & STROBE LIGHT .....	I18
STROBE LIGHT .....	I20
SEAT BELT 3"(76.2MM) .....	I21
SEAT KIT, SIDE PIVOT .....	I22
SEAT RAIL COVER KIT .....	I23
SEAT SENSOR OVERRIDE .....	I24
PUSH TO OPERATE KIT .....	J1
SUSPENSION SEATS .....	J3-J8
TANK HEATER KIT .....	J9
SIDE CONSOLE KIT .....	J10
TIRES & RIMS .....	J11, J12
WATER LEVEL SENSOR KIT .....	J13
<b>BULK ITEMS</b> .....	<b>J15-J16</b>
BULK ITEMS .....	J15-J16
<b>NUMERICAL INDEX</b> .....	<b>J17-J18</b>
NUMERICAL INDEX .....	J17-J18

## 553F CONTENTS

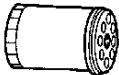
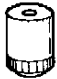

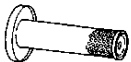
<b>MAIN FRAME</b> .....	<b>A11-B8</b>
MAIN FRAME .....	A11
OPERATOR CAB .....	A13-A16
SEAT & SEAT BAR .....	A17-A20
LIFT ARM & BOB-TACH .....	A21
BOB-TACH .....	A23
PANELS .....	B1
FUEL SYSTEM .....	B3
SEAT .....	B5, B6
REAR DOOR .....	B7
<b>DRIVE TRAIN</b> .....	<b>B9-B14</b>
DRIVE TRAIN .....	B9
AXLE .....	B11
DISC BRAKE .....	B13
<b>HYDRAULIC CIRCUITRY</b> .....	<b>B15-C14</b>
HYDRAULIC CIRCUITRY .....	B15-B24
TILT LOCK VALVE .....	C1
LIFT LOCK VALVE .....	C2
LIFT CYLINDER .....	C4
TILT CYLINDER .....	C6
HYDRAULIC CONTROL VALVE .....	C7-C10
BUCKET POSITIONING VALVE .....	C11
CONTROL PEDALS .....	C13
<b>HYDROSTATIC CIRCUITRY</b> .....	<b>C15-D14</b>
HYDROSTATIC CIRCUITRY .....	C15-C22
HAND CONTROLS .....	C23
HYDROSTATIC PUMP .....	D1-D10
GEAR PUMP .....	D11
HYDROSTATIC MOTOR .....	D13
<b>ELECTRICAL SYSTEM</b> .....	<b>D15-E2</b>
CAB ELECTRICAL CIRCUITRY .....	D15-D18
ENGINE ELECTRICAL SYSTEM .....	D19-D22
ALTERNATOR .....	D23
STARTER .....	E1
<b>POWER UNIT</b> .....	<b>E3-F21</b>
ENGINE & ATTACHING PARTS .....	E3-E8
THROTTLE & CHOKE .....	E9
UNIVERSAL JOINT .....	E11, E12
ENGINE .....	E14
ENGINE PARTS BREAKDOWN .....	E15-F20
ROCKER ARM COVER .....	E15
CYLINDER HEAD .....	E16
ROCKER ARM & VALVES .....	E17
CRANKCASE .....	E19
GEAR CASE .....	E21
CAMSHAFT .....	E23
MAIN BEARING CASE .....	E24
PISTON & CRANKSHAFT .....	F1
FUEL CAMSHAFT .....	F3
ENGINE STOP LEVER .....	F5
INJECTION PUMP & FUEL PUMP .....	F6-F8
GOVERNOR .....	F9
SPEED CONTROL PLATE .....	F11
INJECTOR NOZZLES & HOLDERS .....	F13-F16
WATER FLANGE & THERMOSTAT .....	F17
WATER PUMP .....	F18
OIL PAN .....	F19
INTAKE & EXHAUST MANIFOLDS .....	F20
AIR CLEANER .....	F21

## 553F CONTENTS (Cont'd)

<b>ACCESSORIES &amp; OPTIONS</b> .....	<b>G1-J13</b>
AUXILIARY HYDRAULICS KIT .....	G1
ACCESS COVER .....	G3
AXLE SEAL KIT .....	G4
BACKUP ALARM .....	G5
BUCKET POSITION VALVE KIT .....	G7
CAB DOOR .....	G9-G12
CAB ENCLOSURE .....	G13-G16
CAB WINDOWS .....	G17
CAB ENCLOSURE .....	G19
BLOCK HEATER .....	G20
DECALS .....	G21-G24
ELECTRICAL CONTROLS KIT .....	H1-H4
FIRE EXTINGUISHER .....	H5
FLASHER LIGHTS .....	H6
4-WAY FLASHER LIGHT KIT .....	H7
HEATER KIT .....	H9
HEATER .....	H11
HEATER PLUMBING KIT .....	H13
HORN KIT .....	H14
HOSE CLAMP KIT .....	H15
KEYLESS IGNITION .....	H16
LIGHT KIT, FRONT & REAR .....	H17
EXPORT ACCESSORIES .....	H19-H24
CALIPER BRAKE KIT (EXPORT) .....	I1-14
PEDAL EXTENDERS (EXPORT) .....	I5
REAR DOOR LOCK .....	I6
REAR WIPER KIT .....	I7
RENTAL KIT .....	I9
SEAT BAR KIT .....	I12
SINGLE POINT LIFT KIT .....	I13
SOUND OPTION .....	I14-I16
SOUND REDUCTION HARDHAT .....	I17
BEACON & STROBE LIGHT .....	I18
STROBE LIGHT .....	I20
SEAT BELT 3"(76.2MM) .....	I21
SEAT KIT, SIDE PIVOT .....	I22
SEAT RAIL COVER KIT .....	I23
SEAT SENSOR OVERRIDE .....	I24
PUSH TO OPERATE KIT .....	J1
SUSPENSION SEATS .....	J3-J8
TANK HEATER KIT .....	J9
SIDE CONSOLE KIT .....	J10
TIRES & RIMS .....	J11, J12
WATER LEVEL SENSOR KIT .....	J13
<b>BULK ITEMS</b> .....	<b>J15-J16</b>
BULK ITEMS .....	J15-J16
<b>NUMERICAL INDEX</b> .....	<b>J17-J18</b>
NUMERICAL INDEX .....	J17-J18

# MAINTENANCE ITEMS

## MODEL 553F

PART NO.	DESCRIPTION	PAGE #
1 6657635	ENGINE OIL FILTER .....	E22
		
2 6667352	FUEL FILTER .....	B4
		
3 6672467	AIR CLEANER, OUTER .....	F21
		
4 6672468	AIR CLEANER, INNER .....	F21
		
5 6666606	RADIATOR CAP .....	E8
6 6661248	HYDROSTATIC FILTER .....	C20
7 6669318	BATTERY .....	D20
8 6563328	Bobcat Hydrostatic Fluid - (2) 2-1/2 Gallons .....	J16
9 6722344	Bobcat Hydrostatic Fluid - 5 Gallon Pail .....	J16
10 6563330	Bobcat Hydrostatic Fluid - 55 Gallon Drum .....	J16
	( HYDRAULIC RESERVOIR CAPACITY ) .....	2.3 GALS. ( 13 L.)
	( HYDRAULIC/HYDROSTATIC SYSTEM ) .....	4.8 GALS. ( 23 L.)
11 6657303	MOTOR OIL 30 CE/SG - 1 Qt. ....	J16
12 6657301	MOTOR OIL 10W30 CE/SG - 1 Qt. ....	J16
13 6657299	MOTOR OIL 15W40 CE/SG - 1 Qt. ....	J16
14 6724557	MOTOR OIL SAE 10W30 - 1 Gal .....	J16
15 6724558	MOTOR OIL SAE 15W40 - 1 Gal .....	J16
16 6724559	MOTOR OIL SAE 30 - 1 Gal .....	J16
17 6724205	MOTOR OIL 10W-30 CE/SG - 2.5 Gallon .....	J16
18 6674204	MOTOR OIL 15W40 CE/SG - 2.5 Gallon .....	J16
19 6674206	MOTOR OIL SAE 30W CE/SG - 2.5 Gallon .....	J16
	( ENGINE OIL W/FILTER CAPACITY ) .....	5.4 Qts. (5.1L)



# GENERAL INFORMATION

When using the machine serial number, use the complete number.

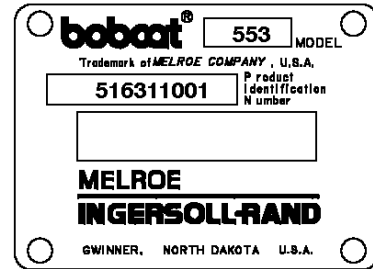
Some Serial Number breaks are not available at time of printing. These are listed as & Below or & Above.

The number shown in the quantity column in this manual is the number of parts needed for the illustration on the page. For some parts an "x" will be shown in the quantity column. This "x" indicates that the quantity to be used is "As Needed".

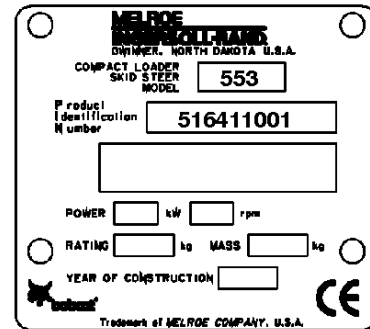
When references L.H. and R.H. are used in this manual, it is done from the operator's seat in the forward operating position.

To find the size and kind of bolt use the Melroe Standard Microfiche (P/N 6566077).

Some of the illustrations and information found in this parts manual were supplied to Melroe Company by machine component companies.



DOMESTIC



EXPORT

## ABBREVIATIONS & SYMBOLS

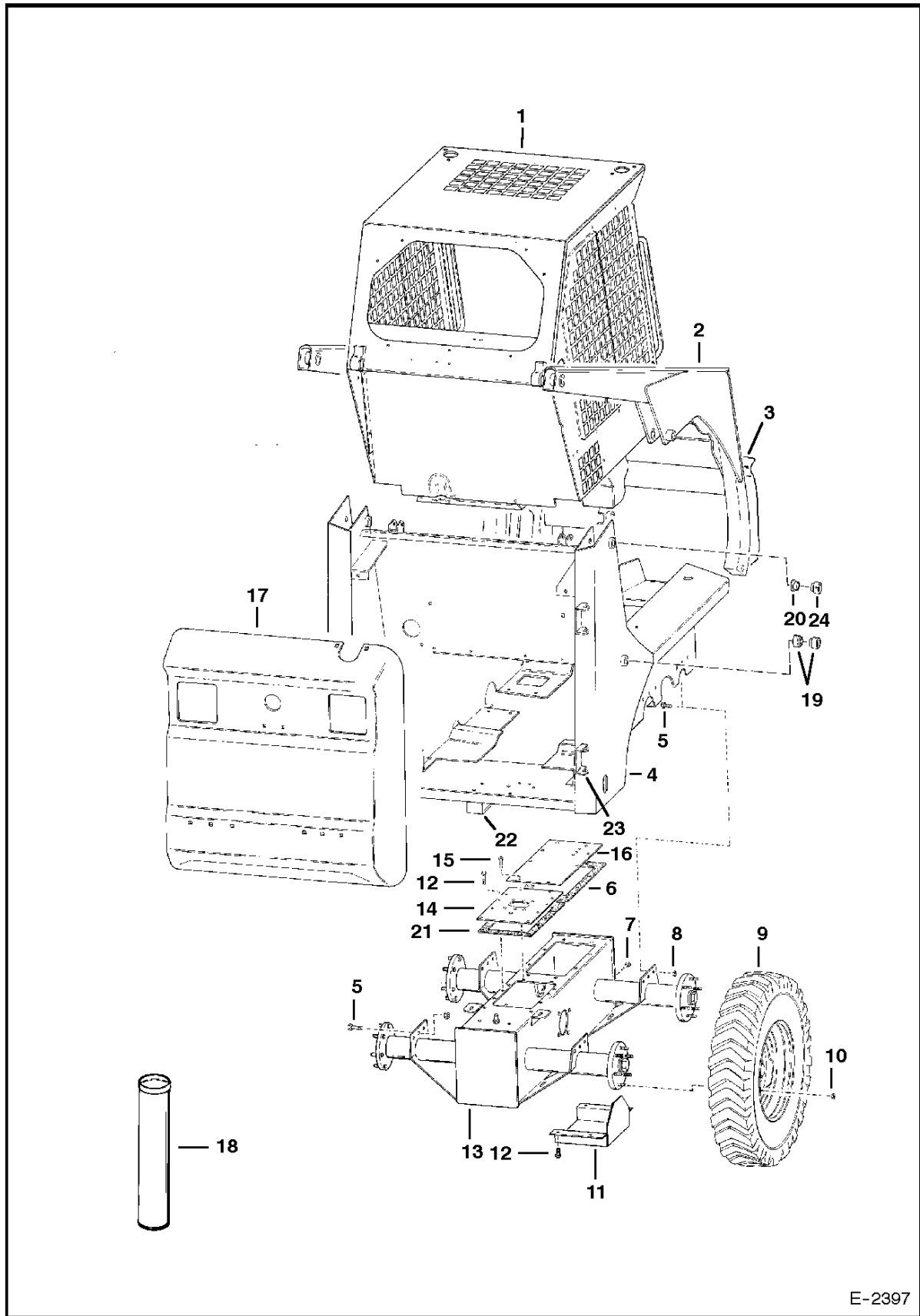
- SALES = Order from Gwinner Sales Department
- NSS = Not Serviced Separately
- NAP = Not Available as Parts
- \* = Changed or Added Sections, Pages or Part Numbers

### Disposition Code Definition (Found in the Remarks Column)

- [A] = Use Up
- [B] = Use Up on Other Application (See PNI)
- [C] = File PDR Report With Melroe Parts Sales
- [D] = Part Number Error

Explications en francais	Grid Nb	A3
Erklärungen auf deutsch	Grid Nb	A4
Spiegazioni in italiano	Grid Nb	A5
Explicaciones en espanol	Grid Nb	A6
Verklaring in het Nederlands	Grid Nb	A7

# MAIN FRAME



E-2397

A11

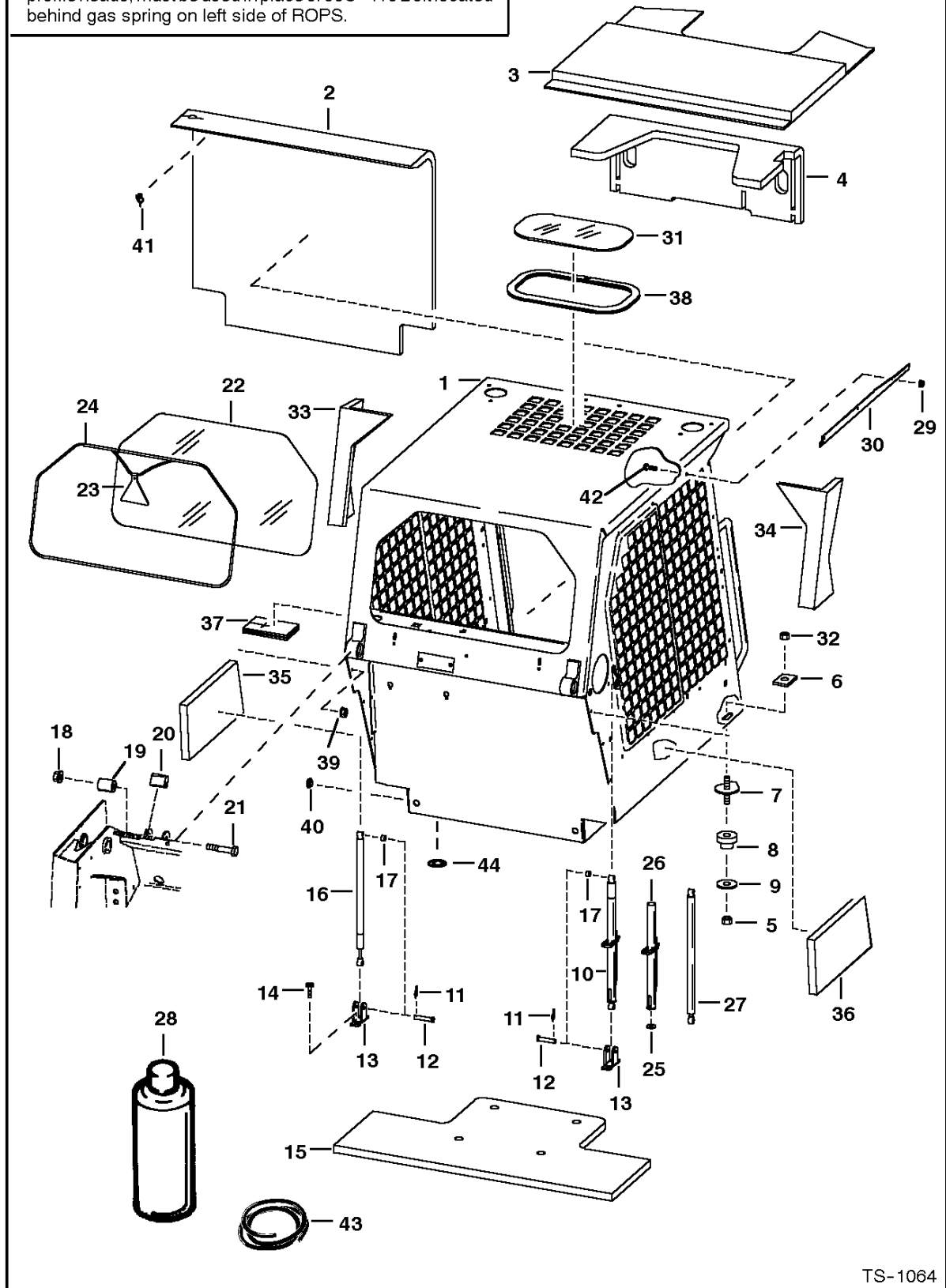
Model 553F  
Loader Parts

## MAIN FRAME

Ref.N°	Part N°	Description	Remarks	Serial N°	Qty.
1		OPERATOR CAB	See Page OPERATOR CAB(1)		1
2		LIFT ARM	See Page LIFT ARM & BOB-TACH(6)		1
3		BOB-TACH	See Page BOB-TACH(1)		1
4	6714894	MAIN FRAME			1
5	31C-820	BOLT			12
6	6703097	GASKET			1
7	40K-12	PLUG			1
8	83D-8	NUT			12
9		TIRE & RIM	See Page TIRES & RIMS(1)		4
10	6564669	NUT	wheel - 9/16'		24
11	6564918	COVER			2
12	84G-3716	BOLT			10
13		CHAINCASE	See Page DRIVE TRAIN(8)		1
14		COVER	See Page DISC BRAKE(28)		1
15	84G-3712	BOLT			8
16		COVER	See Page DISC BRAKE(20)		1
17		REAR DOOR	See Page REAR DOOR(10)		1
18	6632501	SEALANT	chaincase covers		1
19	6555987	BUSHING	Weld On		4
20	6555989	BUSHING	Weld On		2
21	6706968	GASKET			1
22	6706485	HOOK	tie down - weld on		1
23	6708987	BRACKET	hinge - weld on		2
24	6702584	BUSHING	weld on		2

# OPERATOR CAB

**NOTE:** 6714062 Gas Spring Kit to be used when loader is equipped W/Cab Enclosure. Because Gas Spring is heavy duty W/larger diameter, (2) of 91G-416 Screws, with low profile heads, must be used in place of 35C-410 Bolt located behind gas spring on left side of ROPS.



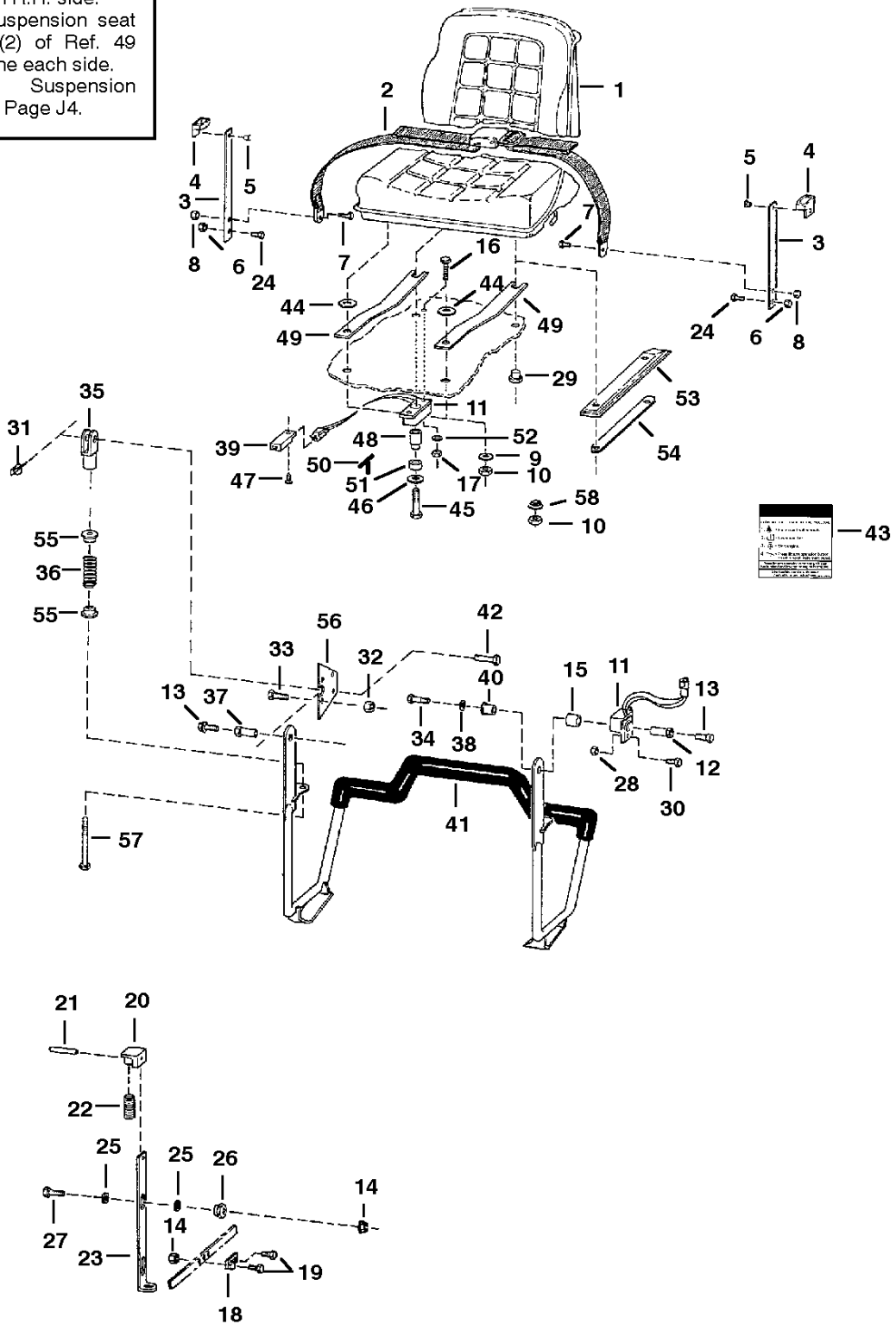
TS-1064

## OPERATOR CAB

Ref.N°	Part N°	Description	Remarks	Serial N°	Qty.
1	6701957	OPERATOR CAB	includes cab decals		1
2	6708682	INSULATION	seat back - Use W/Ref. OPERATOR CAB(41)		1
3	6715094	INSULATION	cab top - Use W/Ref. OPERATOR CAB(41) - Was 6712537[A]		1
4	6706277	INSULATION	control panel - Use W/Ref. OPERATOR CAB(41)		1
5	85D-8	NUT			2
6	6553709	WASHER			2
7	6702971	BOLT			2
8	6560633	MOUNT			2
9	6515817	WASHER			2
10	NAP	GAS SPRING	Order Ref. OPERATOR CAB(25)-OPERATOR CAB(27)		1
11	6631418	PIN	ring		4
12	6567743	PIN			4
13	6706349	MOUNT			2
14	84G-3112	BOLT			4
15	6715095	INSULATION	seat pan - Use W/Ref. OPERATOR CAB(28) - Was 6706982 [A]		1
16	6700171	GAS SPRING	W/O lock		1
16	6714062	KIT	heavy duty gas spring - W/O lock - see note		1
16	91G-416	BOLT	see note		1
16	6900531	INSTRUCTIONS	for kit 6714062		1
17	6567604	SPACER			2
18	53D10	NUT	Was 83D-10 [B]		2
19	6562602	BUSHING	rubber		2
20	6579613	STOP	cab tilt		2
21	17C-1056	BOLT			2
22	6701651	WINDOW	rear		1
23	6559515	EXIT TAG			1
24	NAP	EXTRUSION	100'(2540 mm) - Order Ref. OPERATOR CAB(43)		1
24	NAP	CORD	100'(2540 mm) - Order Ref. OPERATOR CAB(43)		1
25	6701174	WASHER			1
26	6708189	TUBE	stop		1
27	6664205	GAS SPRING			1
28	6652818	ADHESIVE	insulation - 24 oz. spray can		x
29	83D-4	NUT			6
30	6703159	TRACK	R.H.		1
30	6703160	TRACK	L.H.		1
31	6705735	WINDOW			1
32	59D-8	NUT			2
33	6715098	INSULATION	cab back - Use W/Ref. OPERATOR CAB(41) - Was 6706156 [A]		1
34	6715097	INSULATION	cab back - Use W/Ref. OPERATOR CAB(41) - Was 6706157 [A]		1
35	6703451	INSULATION	cab back - Use W/Ref. OPERATOR CAB(28)		1
36	6703452	INSULATION	cab back - Use W/Ref. OPERATOR CAB(28)		1
37	6703455	INSULATION	cab back - Use W/Ref. OPERATOR CAB(28)		1
38	6664351	SEAL	Used W/ Cab Headliner		1
38	6665012	SEAL	Used W/O Cab Headliner		1
39	83D-5	NUT			3
40	6664374	PLUG	heater hole		5
41	6664310	CLIP	insulation		7
42	35C-410	BOLT			6
43	6665568	SEAL	bulk - Sold Per Foot		x
43	6554149	CORD	bulk - Sold Per Foot		x
44		WASHER			2

# SEAT & SEAT BAR

**NOTE:** Standard seat requires (1) of Ref. 49 located on R.H. side.  
 Milsco Suspension seat requires (2) of Ref. 49 located one each side.  
 Grammer Suspension seat, See Page J4.



E-2330

## SEAT &amp; SEAT BAR

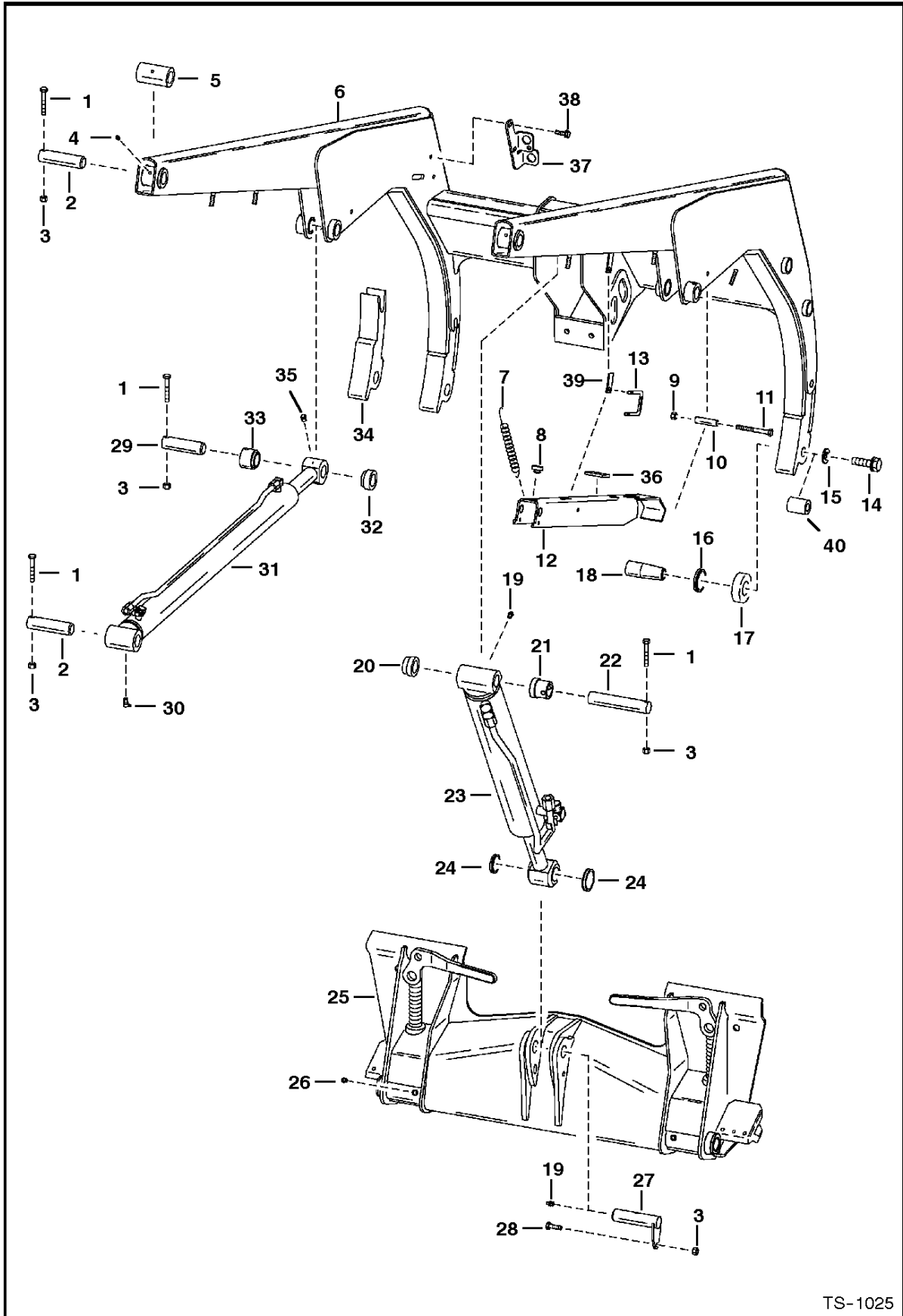
Ref.N°	Part N°	Description	Remarks	Serial N°	Qty.
1		SEAT	See Page SEAT(1), SEAT(1)		1
2	6667875	SEAT BELT			1
3	6711907	GUIDE ASSY.	W/Ref. NUMERICAL INDEX(4) & NUMERICAL INDEX(5)		2
4	6565355	GUIDE			2
5	6630207	RIVET			4
6	85D-6	NUT			2
7	17C-716	BOLT			2
8	85D-7	NUT			2
9	6701174	WASHER			2
10	61D-5	NUT		5163 11799 & Bel	2
10				5164 12199 & Bel	2
10	59D-5	NUT		5163 11800 & Abv	4
10				5164 12200 & Abv	4
11	6670652	SENSOR	also order Ref. SEAT & SEAT BAR(50)		2
12	6706685	BUSHING			1
13	35C-612	BOLT			2
14	83D-6	NUT			8
15	6671135	BUSHING	magnetic		1
16	17C-428	BOLT	fastens thru body of Ref. NUMERICAL INDEX(11) - 1.75'(44,4 mm) long - Was 6710539 [A]		1
17	50D-12	NUT			1
18	6563151	LINK			2
19	17C-616	BOLT			4
20	6563148	BLOCK			2
21	14J-2512	PIN			2
22	6702430	SPRING			2
23	6578150	LOCK			2
24	17C-612	BOLT			2
25	6700170	WASHER	plastic		8
26	6559479	NUT			4
27	6705489	BOLT			4
28	83D-4	NUT			1
29	6707319	NUT	spacer		1
30	35C-410	BOLT	fastens thru tab of Ref. NUMERICAL INDEX(11) - 5/8'(15,9 mm) long		1
31	6631418	PIN	ring		2
32	91D-7	NUT			2
33	17C-712	BOLT			2
34	17C-608	BOLT			2
35	6713589	CLEVIS			2
36	6701535	SPRING			2
37	6706962	BUSHING			1
38	25E-17	WASHER			1
39	6665000	CLIP			1
40	6664882	BUSHING	keyed		1
41	6716777	SEAT BAR	for use W/Compression Springs- Was 6713609 [A]		1
42	4F-6106	PIN			2
43	6707134	DECAL	instruction for LCS		1
44	6706890	WASHER			2
45	17C-508	BOLT			2
46	25E-16	WASHER			1
47	6664221	RETAINER			1
48	6710751	BUSHING	spacer - 1.67'(42,4 mm) long		1
49	6706966	SPRING	plate		1
50	6664881	KEY	magnet bushing		1

## SEAT &amp; SEAT BAR

Ref.N°	Part N°	Description	Remarks	Serial N°	Qty.
51	6666608	BUSHING	tapered magnetic		1
52	25E-10	WASHER			1
53	6711729	COVER			2
54	6711730	STRIP			2
55	6710659	BUSHING			4
56	6710660	MOUNT			2
57	6713887	BOLT			2
58	6707318	GUIDE		5163 11800 & Abv	2
58				5164 12200 & Abv	2



# LIFT ARM & BOB-TACH



TS-1025

A21

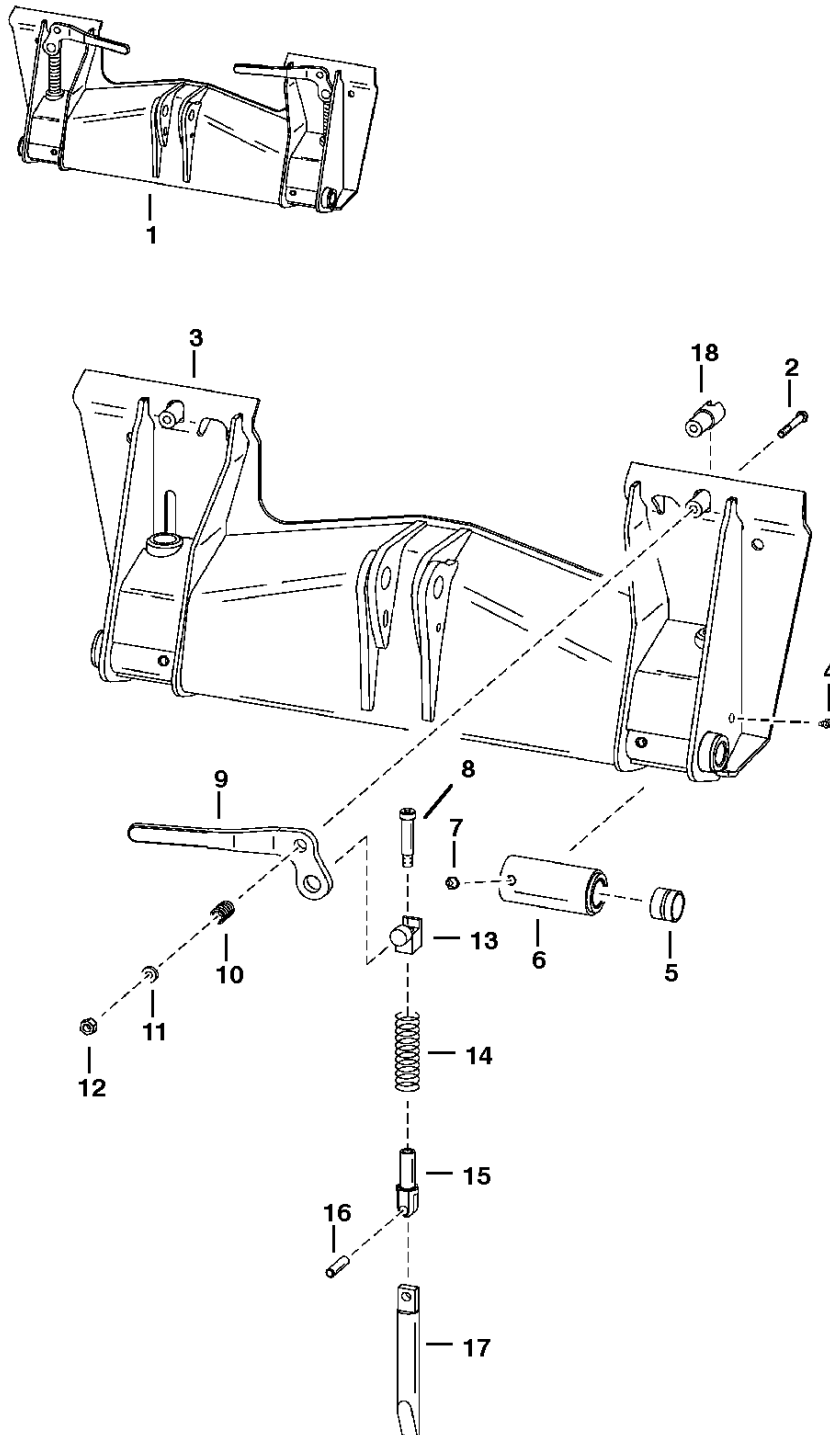
Model 553F  
Loader Parts

## LIFT ARM &amp; BOB-TACH

Ref.N°	Part N°	Description	Remarks	Serial N°	Qty.
1	17C-640	BOLT			8
2	6577954	PIN			4
3	85D-6	NUT			9
4	10H-25	GREASE ZERK			2
5	6578356	BUSHING	Weld On		2
6	6709515	LIFT ARM			1
7	6700743	SPRING			1
8	6519178	BUMPER	rubber		1
9	61D-6	NUT			1
10	6700469	SPACER			1
11	17C-648	BOLT			1
12	6705089	LIFT ARM STOP			1
13	6714810	PIN	retainer		1
14	17C-1064	BOLT			2
15	6555455	WASHER			2
16	6651709	SEAL			2
17	6700039	CUP	seal		2
18	6707042	PIN			2
19	10H-25	GREASE ZERK			2
20	6703363	BUSHING	Weld On - Also Order Ref. LIFT ARM & BOB-TACH(22)		1
21	6704287	BUSHING	Weld On - Also Order Ref. LIFT ARM & BOB-TACH(22)		1
22	6704288	PIN			1
23		CYLINDER	tilt - See Page TILT CYLINDER(1)		1
24	225855	SEAL			2
25		BOB-TACH	See Page BOB-TACH(1)		1
26	743332	GREASE ZERK			2
27	6705223	PIN			1
28	17C-620	BOLT			1
29	6547593	PIN			2
30	11H-15	GREASE ZERK			2
31		CYLINDER	lift - See Page (1)		2
32	6555989	BUSHING	Weld On		2
33	6555987	BUSHING	Weld On		2
34	NAP	ARM	R.H. - Weld On		1
34	NAP	ARM	L.H. - Weld On		1
35	12H-15	GREASE ZERK			2
36	6704436	PAD	foam - self adhesive		1
37	6711672	MOUNT			1
38	84G-3112	BOLT			2
39	6705091	TAB	weld on		1
40	6714874	BUSHING	W/tapered hole		2

# BOB-TACH

NOTE: Order replacement Bob-Tach from Gwinner Sales # 6709762.



TS-1549

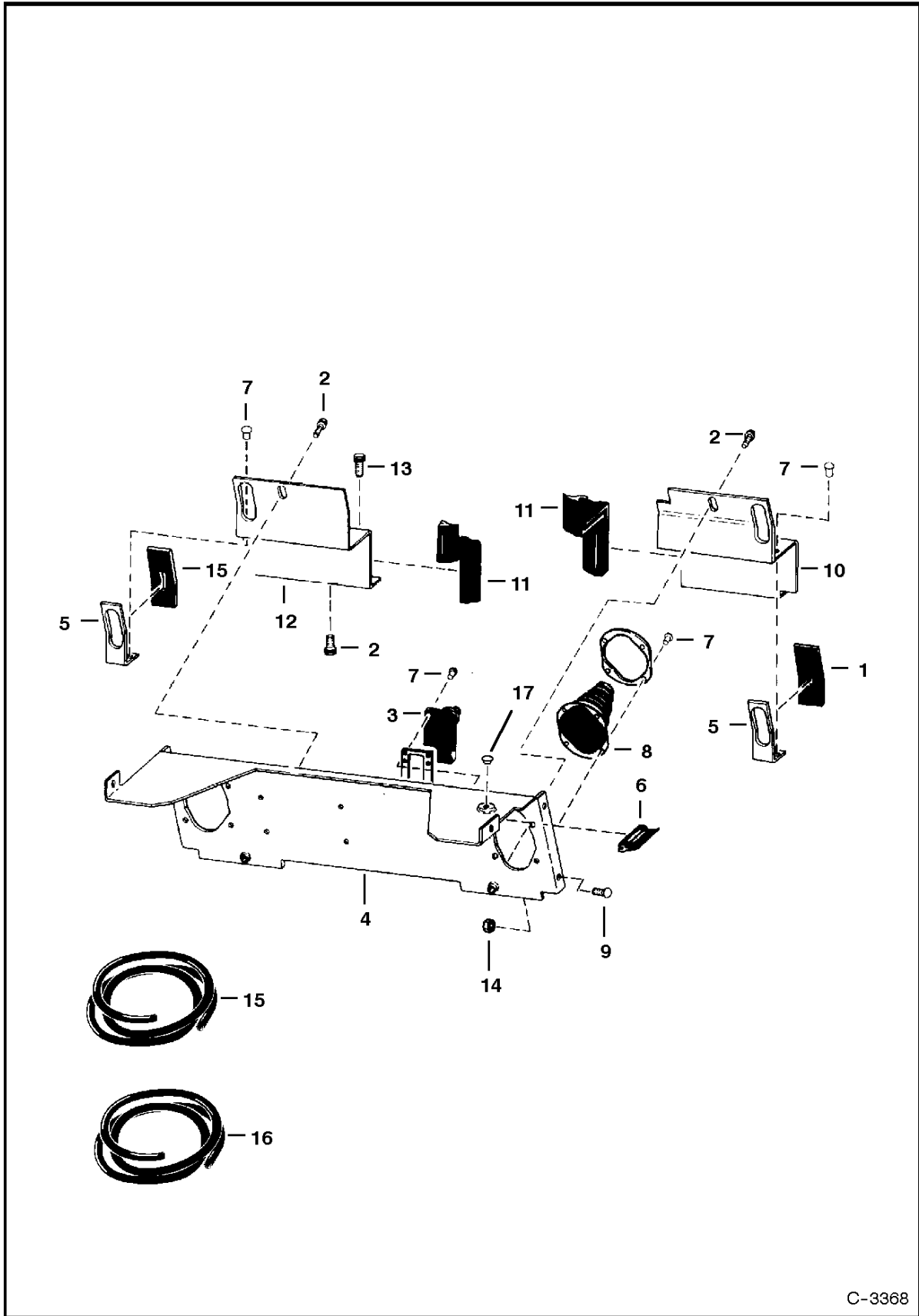
A23

Model 553F  
Loader Parts

## BOB-TACH

Ref.N°	Part N°	Description	Remarks	Serial N°	Qty.
1	SALES	BOB-TACH	Ref. BOB-TACH(2) - BOB-TACH(18)		1
2	17C-644	BOLT			2
3	NAP	FRAME			1
4	10H-35	GREASE ZERK			2
5	6589665	BUSHING	Press Fit		2
6	6577445	BUSHING	Weld-on -W/Ref. BOB-TACH(5)		2
7	743332	GREASE ZERK			2
8	38C-1036	BOLT	shoulder		2
9	6702904	LEVER	R.H.		1
9	6702903	LEVER	L.H.		1
10	6704453	SPRING			2
11	6557831	WASHER			2
12	85D-6	NUT			2
13	6704240	PIVOT ASSY			2
14	6562018	SPRING	Was 6578253 [A]		2
15	6704248	PIVOT	wedge		2
16	14J-5032	PIN			2
17	6704242	WEDGE ASSY.			2
18	6702958	BUSHING	weld on		2

# PANELS



C-3368

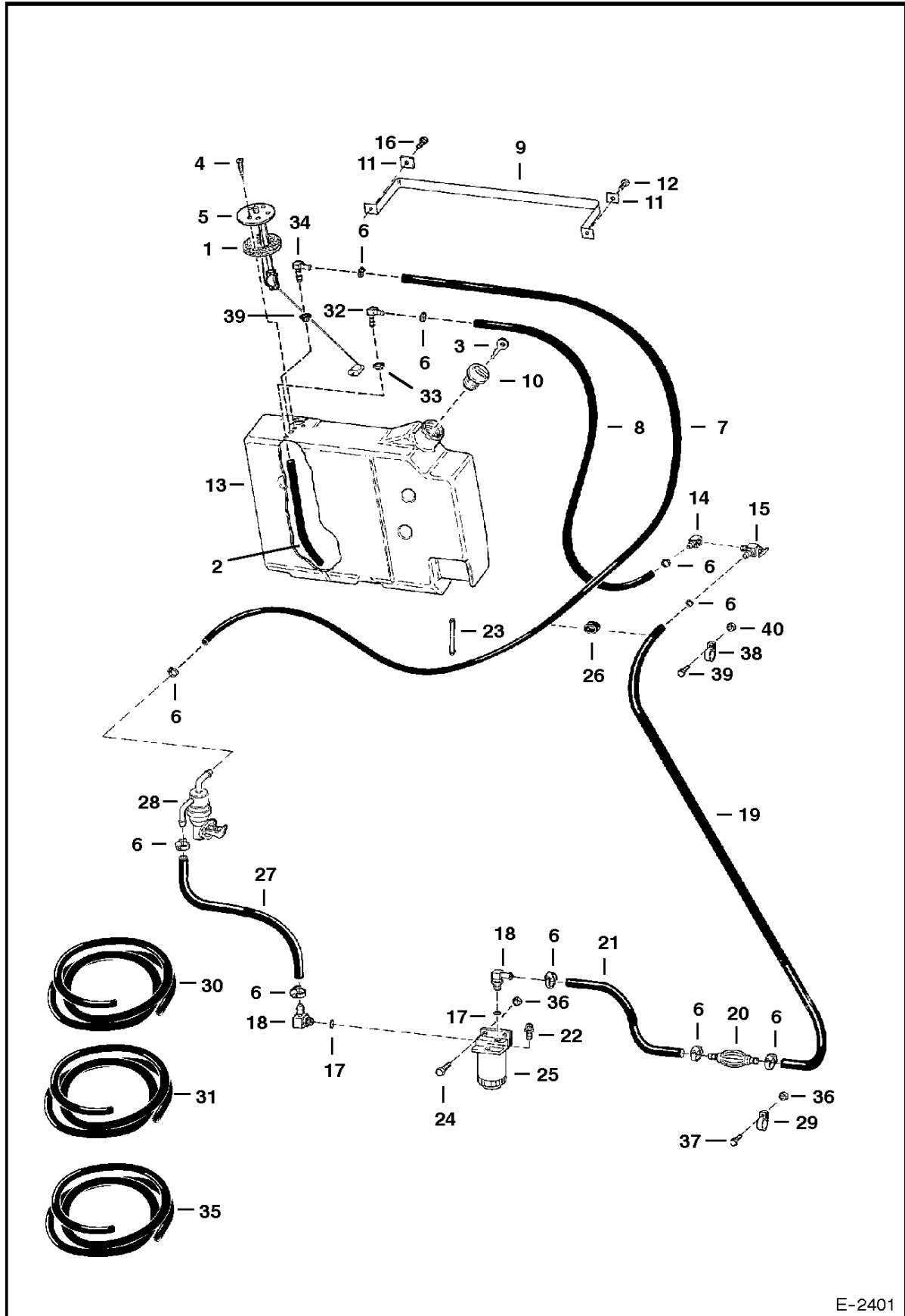
**B1**

Model 553F  
Loader Parts

# PANELS

Ref.N°	Part N°	Description	Remarks	Serial N°	Qty.
1	6564976	SEAL	foam block		2
2	84G-3716	BOLT			4
3	6571648	BOOT	W/Metal Insert		1
4	6707579	SHIELD			1
5	6564982	RETAINER			2
6	NAP	MOULDING	4.50'(114.3mm) long - Order Ref. PANELS(15)		2
7	6630207	RIVET			20
8	6532127	BOOT	rubber		2
9	37C-616	BOLT	carriage		4
10	6564670	SHIELD			2
11	NAP	MOULDING	9.50'(241.3mm) long - Order Ref. PANELS(16)		2
12	6564671	SHIELD			1
13	84G-3712	BOLT			2
14	57D-6	NUT			4
15	6646705	MOULDING	Bulk - Sold per foot		x
16	6513152	SEAL	Bulk - Sold per foot		x
17	5289686	PLUG			1

# FUEL SYSTEM

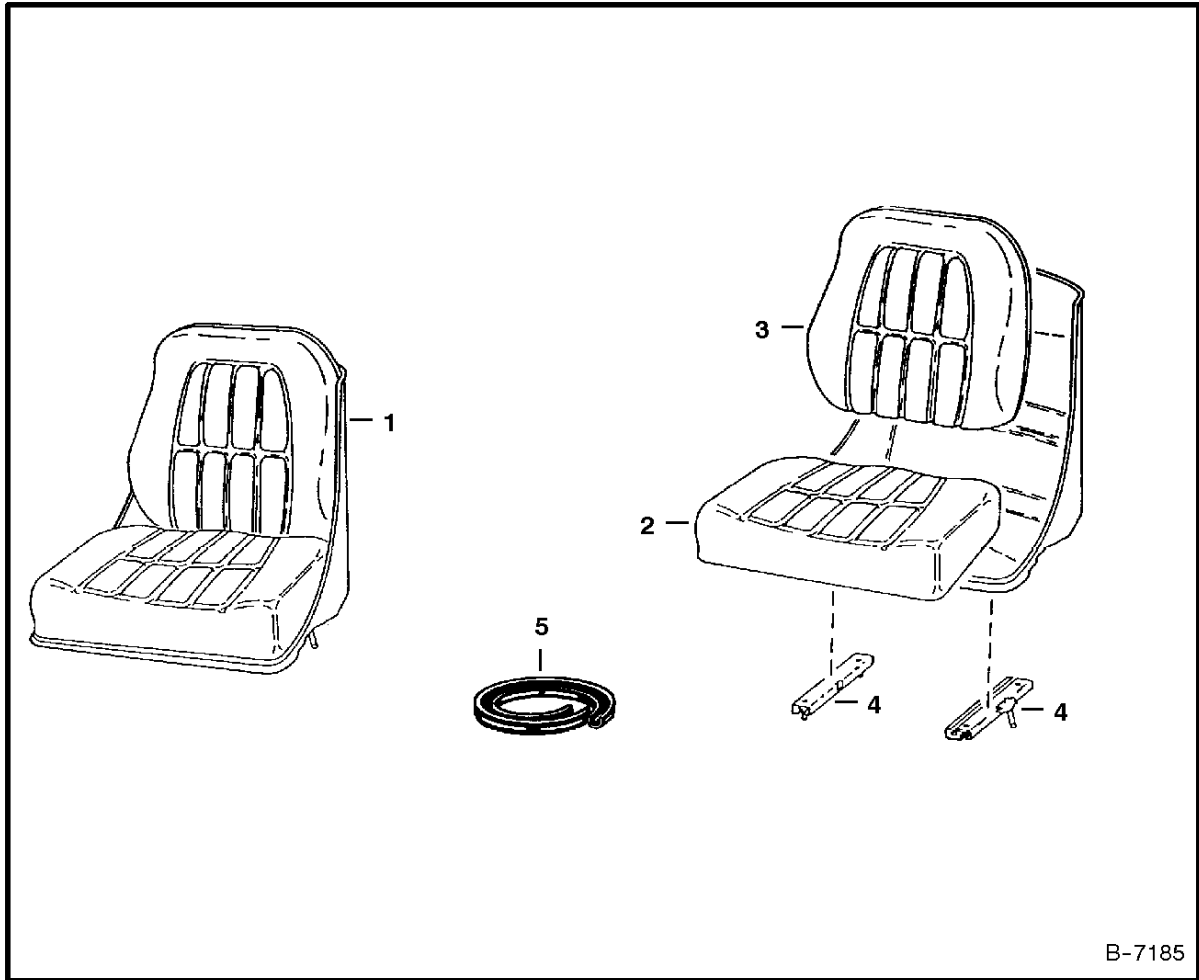


E-2401

## FUEL SYSTEM

Ref.N°	Part N°	Description	Remarks	Serial N°	Qty.
1	6630972	GASKET			1
2	6715001	HOSE			1
3	6587458	KEY SET			1
4	87G-1010	SCREW			5
5	6568175	SENDER			1
6	6515575	CLAMP			10
7	NAP	HOSE	Order Ref. FUEL SYSTEM(35)		1
8	NAP	HOSE	Order Ref. FUEL SYSTEM(30)		1
9	6707564	BAND			1
10	6661114	CAP	Green		1
10	6661696	FUEL CAP	locking -W/Ref. FUEL SYSTEM(3)		1
11	6559447	WASHER	square		2
12	84G-3720	BOLT			1
13	6707517	TANK			1
14	6598753	ELBOW			1
15	6632593	VALVE	shut-off		1
16	84G-3712	BOLT			1
17	79K-5	O-RING	for flat boss face		2
17	99K-5	O-RING	for tapered boss face		2
18	6657083	ELBOW	flat boss face		2
18	6715183	ELBOW	tapered boss face		2
19	NAP	HOSE	Order Ref. FUEL SYSTEM(30)		1
20	6657734	PUMP	hand primer		1
21	NAP	HOSE	Order Ref. FUEL SYSTEM(30)		1
22	6658180	PLUG			2
23	6513471	CLAMP			1
24	17C-516	BOLT	Was 17C-512 [B]		2
25	6667353	FILTER ASSY			1
25	6667352	FILTER			1
25	72F-1	DRAIN COCK			1
26	6515603	GROMMET			1
27	NAP	HOSE	Order Ref. FUEL SYSTEM(31)		1
28	6672427	PUMP	fuel - See Page INJECTION PUMP & FUEL PUMP(11)		1
29	30H-31	CLAMP	Was 31H-25 [B]		1
30	6577821	HOSE	.25"(6.35mm) I.D. - bulk-Sold Per Foot		x
31	6577822	HOSE	.31"(7.87mm) I.D. - bulk-Sold Per Foot		x
32	6598908	ELBOW			1
33	6553411	BUSHING			2
34	6661382	ELBOW			1
35	6578169	HOSE	.19"(4.83mm) I.D. - bulk-Sold Per Foot		1
36	61D-5	NUT			3
37	17C-512	BOLT			1
38	31H-25	CLAMP			1
39	35C-416	BOLT			1
40	85D-4	NUT			1



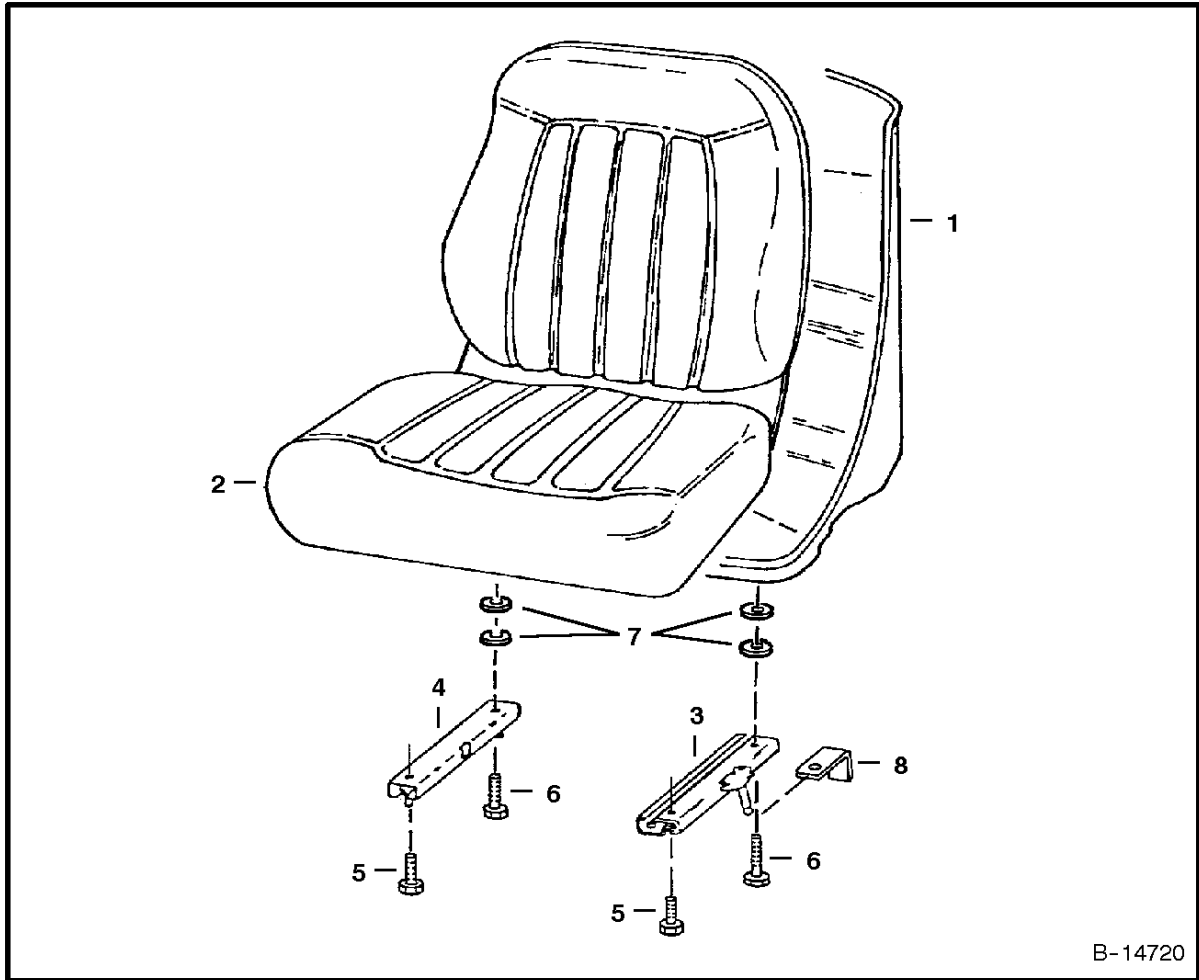


**SEAT  
Milsko**

Ref. Part No. Number	Description	Remarks	Serial Number	Qty.
-------------------------	-------------	---------	---------------	------

## SEAT

Ref.N°	Part N°	Description	Remarks	Serial N°	Qty.
1	NAP	SEAT	Order 6669135 -Was 6563140 [A]		1
2	6630468	SEAT CUSHION			1
3	6630465	BACK CUSHION			1
4	6630469	TRACK	W/Latch		1
4	6599780	TRACK	W/O Latch		1
5	6652935	EDGING	8 ft. (243,8 m) for Ref. SEAT(2) & SEAT(3)		1
5	6665656	CLIP	Used with edging		x



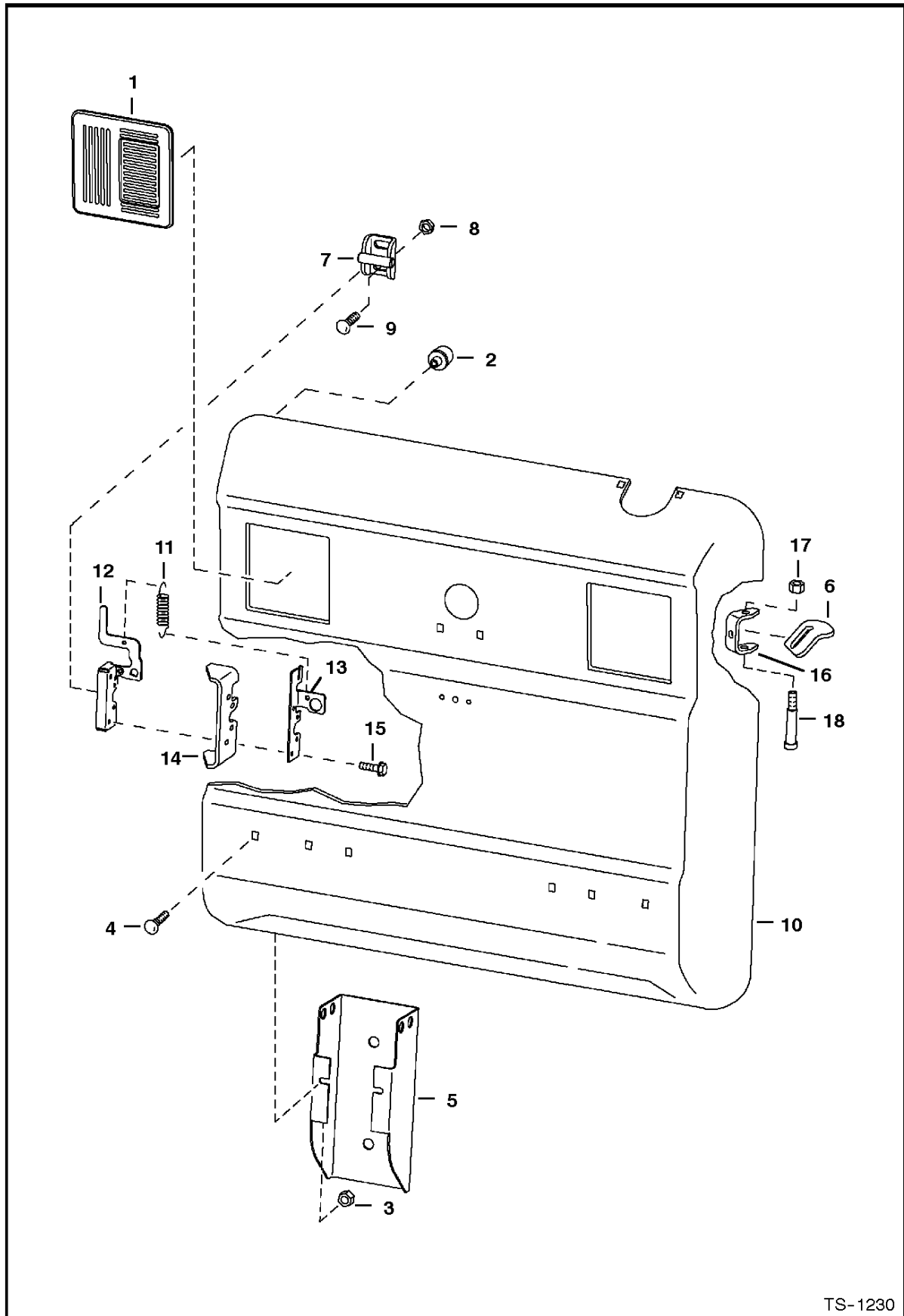
**SEAT  
Michigan**

Ref. Part No. Number	Description	Remarks	Serial Number	Qty.
-------------------------	-------------	---------	---------------	------

## SEAT

Ref.N°	Part N°	Description	Remarks	Serial N°	Qty.
1	NAP	SEAT	W/Ref. SEAT(2)-SEAT(5) & SEAT(8) - Order 6669135		1
1	6669135	SEAT	W/Ref. SEAT(2)-SEAT(7)		1
2	6670160	CUSHION	W/edging, clip & (2) grommets		1
2	NSS	EDGING			1
2	NSS	CLIP			1
3	NAP	TRACK	L.H. - W/ 10'(254mm)Latch - Was 6669088 [A]		1
3	6674013	TRACK	L.H. - W/ 8'(203mm) Latch		1
4	6669089	TRACK	R.H. - W/O Latch		1
5	25G-512	BOLT	6669135 Seat uses (2) bolts		4
6	25G-520	BOLT			2
7	7000010	SPACER			4
8	6668953	BRACKET	See S/L Dated 16 April 1996		2

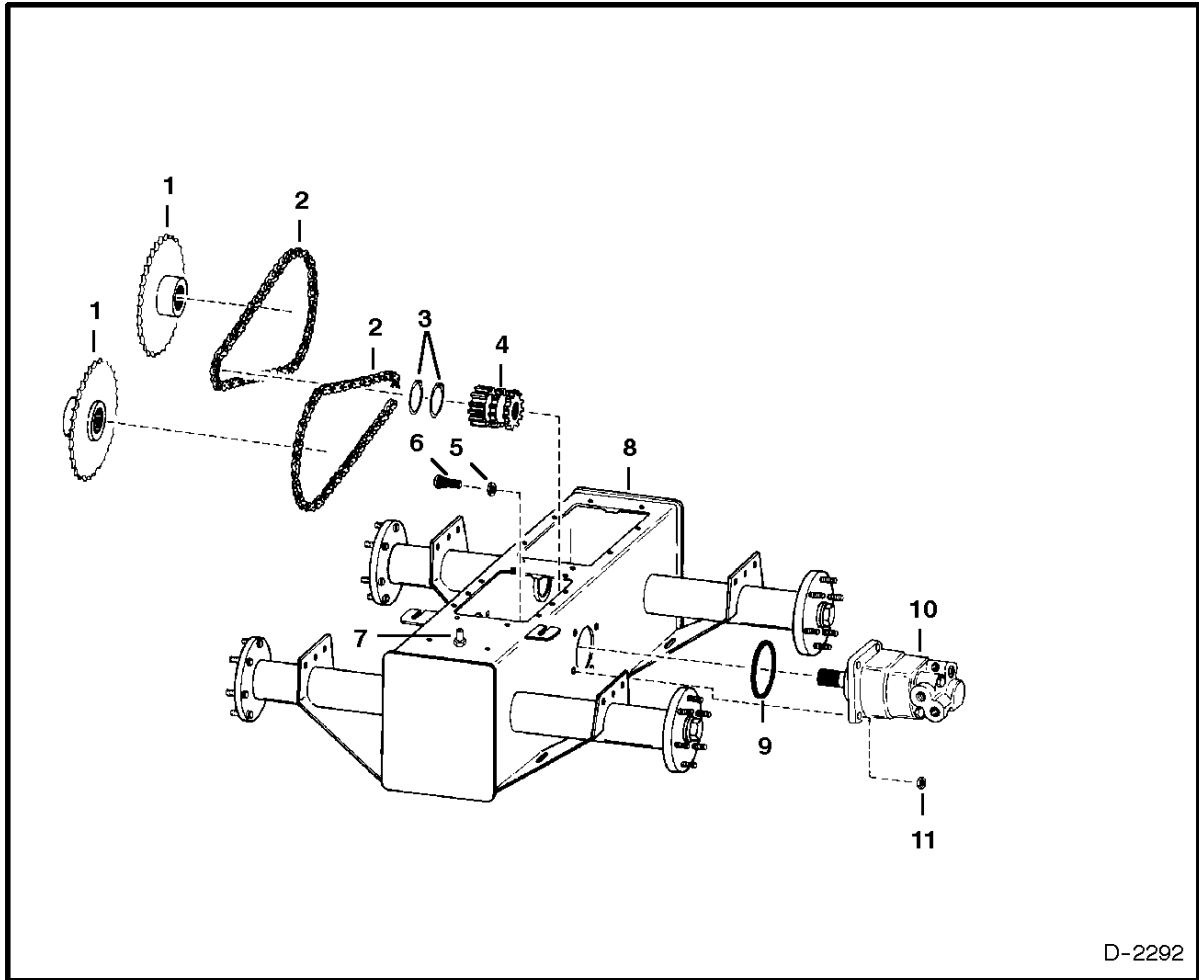
# REAR DOOR



TS-1230

## REAR DOOR

Ref.N°	Part N°	Description	Remarks	Serial N°	Qty.
1	6670287	COVER			2
2	6714454	BUMPER			2
3	55D-6	NUT			2
4	37C-612	BOLT			2
5	6715318	TOOL HOLDER			1
6	6714126	DOOR STOP			1
7	6715157	STRIKER ASSY.	Was 6579969 [B]		1
8	57D-8	NUT			2
9	37C-820	BOLT	carriage		2
9	25G-820	BOLT	hex socket		2
10	6711524	REAR DOOR			1
11	6714210	SPRING			1
12	6670867	LATCH			1
13	6711664	GUIDE	latch		1
14	6700279	LATCH PLATE	weld-on		1
15	31C-420	BOLT			4
16	6711526	HINGE	weld on		2
17	59D-6	NUT			2
18	38C-856	BOLT			2



D-2292

**DRIVE TRAIN**

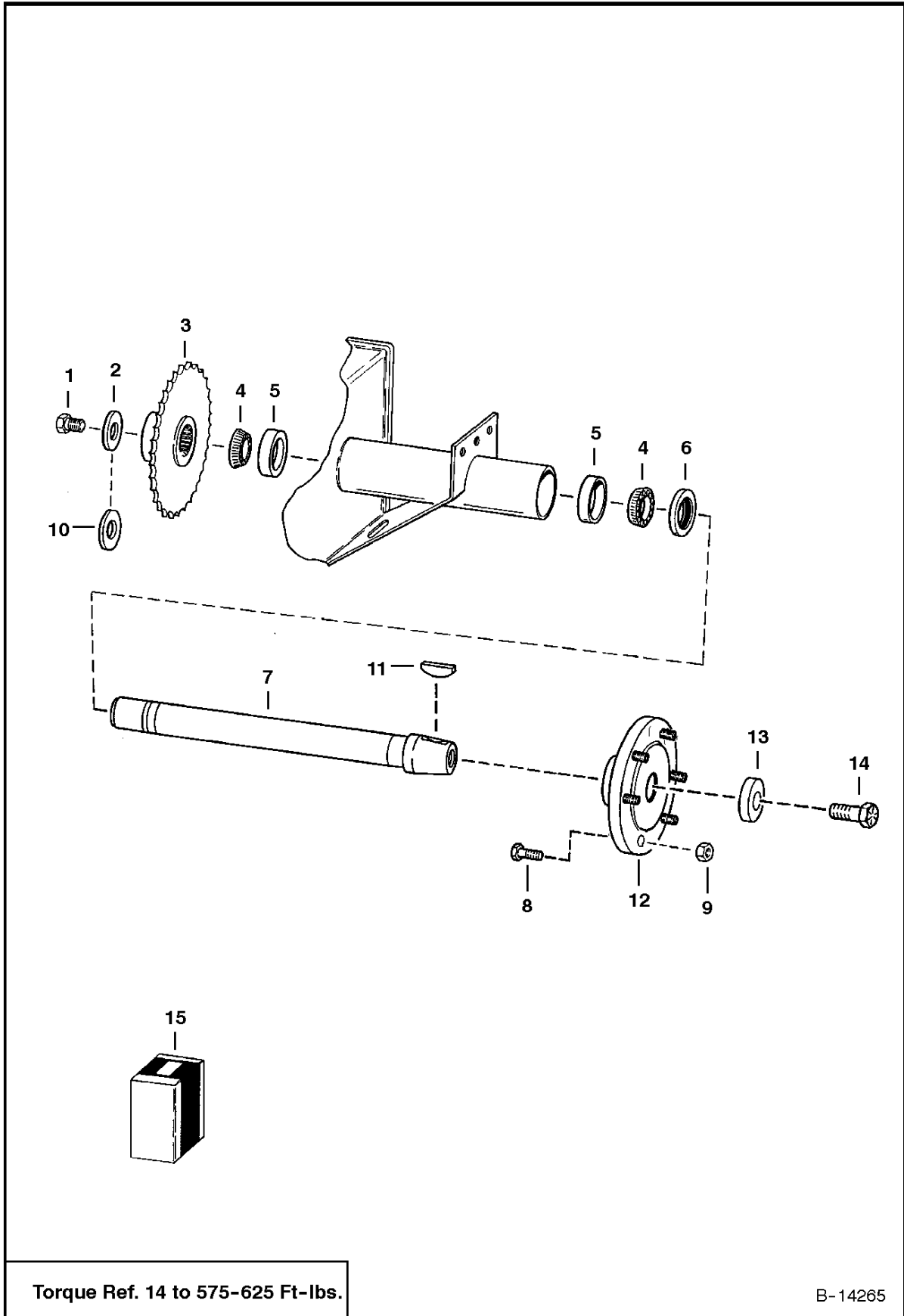
Ref. Part No. Number	Description	Remarks	Serial Number	Qty.
----------------------	-------------	---------	---------------	------

## DRIVE TRAIN

Ref.N°	Part N°	Description	Remarks	Serial N°	Qty.
1	6548891	SPROCKET			4
2	6630205	DRIVE CHAIN			4
2	6515191	LINK	connector		4
3	791442	SNAP RING			4
4	6714469	SPROCKET			2
5	6564740	WASHER			8
6	6564741	BOLT			8
7	6706104	RETAINING NUT			1
8	6708059	CHAINCASE			1
9	25K-30424	O-RING			2
10		MOTOR	hydro. - See Page HYDROSTATIC MOTOR(1)		2
11	86D-8	NUT			8



# AXLE



Torque Ref. 14 to 575-625 Ft-lbs.

B-14265

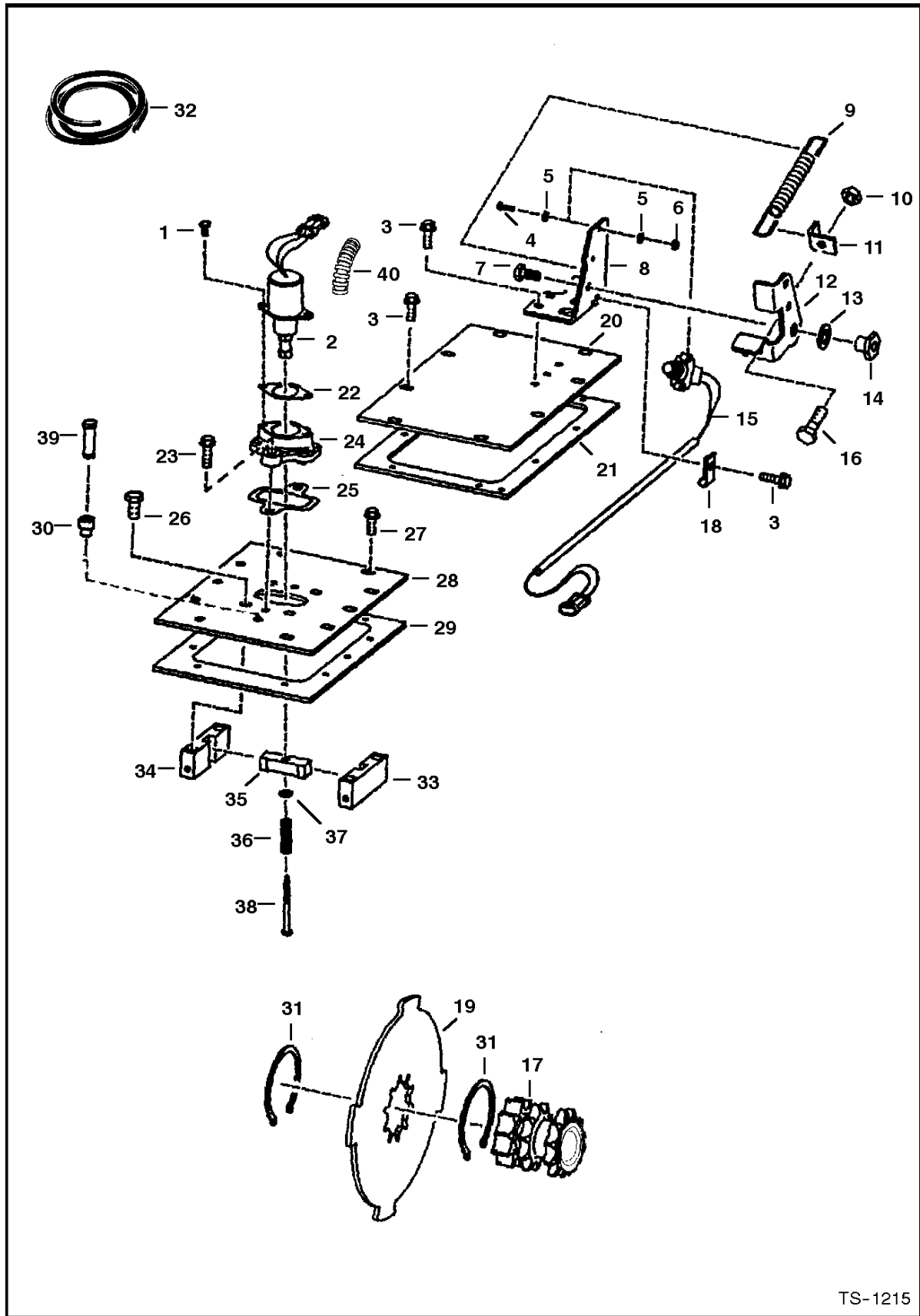
**B11**

Model 553F  
Loader Parts

## AXLE

Ref.N°	Part N°	Description	Remarks	Serial N°	Qty.
1	18C-1224	BOLT			1
2	6552871	WASHER			1
3	6548891	SPROCKET			1
4	3974866	BEARING ASSY.	W/Ref. AXLE(5)		2
5	NSS	RACE	Order Ref. AXLE(4)		2
6	6660126	SEAL			1
7	6706039	AXLE ASSY.			1
8	6709170	STUD	9/16"		6
9	6564669	NUT	9/16"		6
10	6563606	WASHER	recessed - Use to Take Up .005 or .010 End Play on Axle		1
10	6568835	WASHER	recessed - Use to Take Up .020 End Play of Axle		1
11	6J-1664	KEY			1
12	6706038	HUB	W/Ref. 8 - 9/16' Studs		1
13	6716843	WASHER	Was 6569461 [A]		1
14	18C-1632	BOLT	2'(50.8mm) long - for Ref. AXLE(7) with 1.5' (38.1mm deep threads		1
14	18C-1636	BOLT	2.25'(57.2mm) long - for Ref. AXLE(7) with 1.65' (41.9 mm) deep threads		1
15	6568974	KIT	axle seal - See Page AXLE SEAL KIT(1)		1

# DISC BRAKE



TS-1215

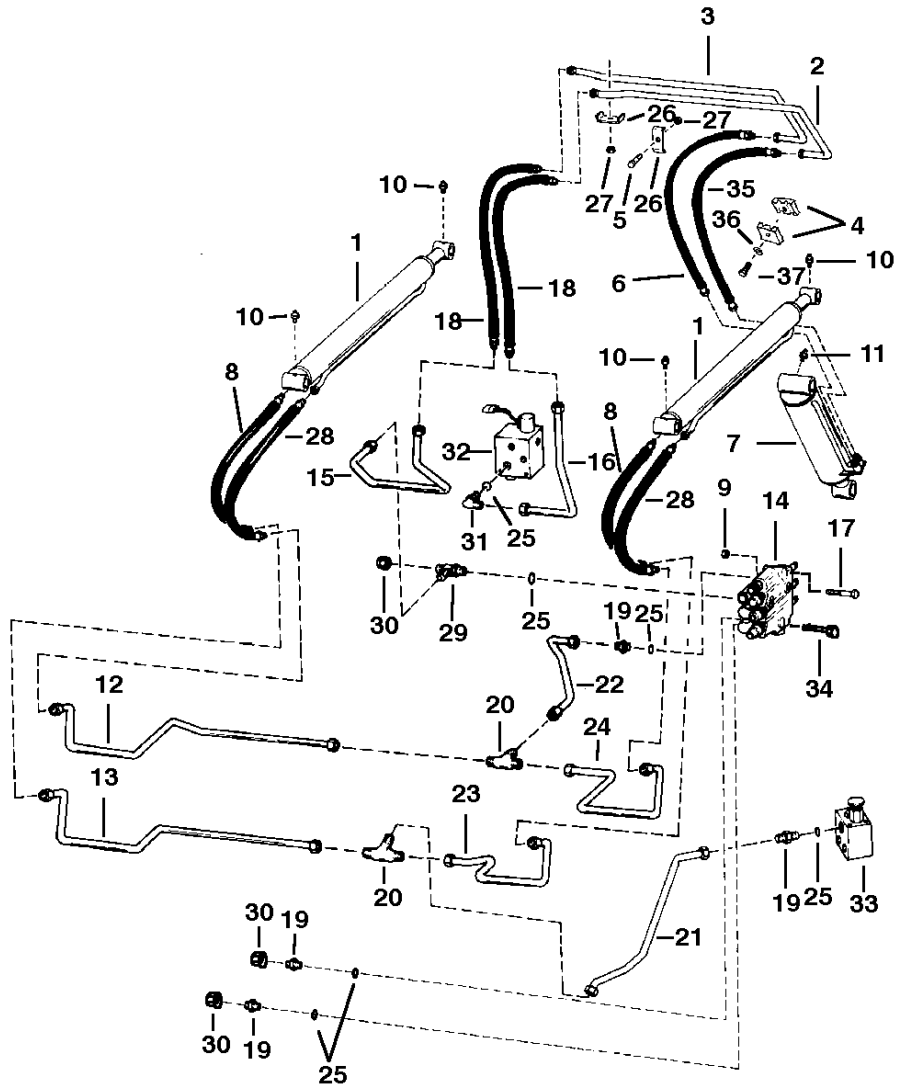
**B13**

Model 553F  
Loader Parts

## DISC BRAKE

Ref.N°	Part N°	Description	Remarks	Serial N°	Qty.
1	17C-412	BOLT			2
2	6667992	SOLENOID	W/Ref. DISC BRAKE(40) - See Serviceletter dated 4/96		1
3	84G-3712	BOLT			12
4	23G-812	SCREW			2
5	25E-8	WASHER			4
6	12D-8	NUT			2
7	17C-610	BOLT			1
8	6707313	PEDAL MOUNT			1
9	6585860	SPRING			1
10	95D-6	NUT	Was 91D-6 [A]		1
11	6707315	ANGLE			1
12	6707314	PEDAL	brake		1
13	6700170	WASHER	plastic		2
14	6559479	NUT			1
15	6707337	SWITCH			1
16	17C-620	BOLT			1
17	6714469	SPROCKET	See Page DRIVE TRAIN(4)		2
18	30H-23	CLAMP			1
19	6706736	BRAKE	disc		2
20	6578505	COVER			1
21	6703097	GASKET			1
22	6706737	GASKET			1
23	84G-3720	BOLT			2
24	6706718	MOUNT			1
25	6708016	GASKET			1
26	17C-820	BOLT			4
27	84G-3716	BOLT			10
28	6706042	COVER			1
29	6706968	GASKET			1
30	6553411	BUSHING			1
31	791442	SNAP RING			4
32	6584978	CONDUIT	bulk - Sold Per Foot		x
33	6719056	BLOCK	guide-R.H. - Was 6705898 [A, B]		1
34	6719057	BLOCK	guide-L.H. - Was 6705897 [A, B]		1
35	6705896	GUIDE			1
36	6708018	SPRING			1
37	25E-13	WASHER			1
38	6708267	BOLT			2
39	6670627	BREATHER			1
40	NAP	CONDUIT	5'(127 mm) long - Order Ref. DISC BRAKE(32)		1

**HYDRAULIC CIRCUITRY**  
**(Without Bucket Positioning Valve)**



E-2243

**B15**

Model 553F  
Loader Parts

**Thank you very much  
for your reading.**

**Please click here and go  
back to our website.**

**Then, you can download  
the complete manual  
instantly.**

**No waiting.**

**Have questions.**

**Please write to me.**

**All the problems will be answered  
within 12 hours.**

**[aservicemanuapdf@yahoo.com](mailto:aservicemanuapdf@yahoo.com)**