

4

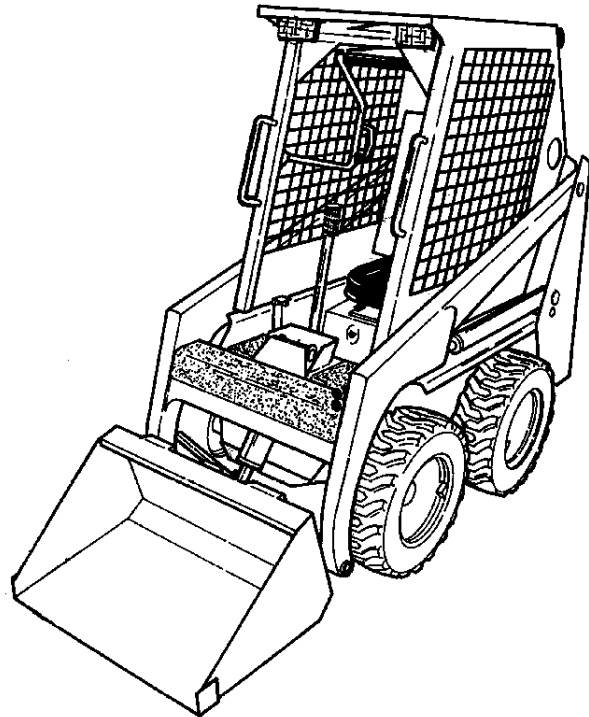
5

0



Parts Manual

S/N 5617 11001 & Above
S/N 5620 11001 & Above



PUBLICATION # 6724364(3-00)

REPLACES # 6724364(4-98)

BOBCAT
INGERSOLL-RAND



© Bobcat/Ingersoll-Rand 2000
Printed in U.S.A.

Our customer service email: aservicemanualpdf@yahoo.com

450 ALPHABETICAL INDEX

ADHESIVE	148	LIGHT KIT	130
AIR CLEANER	95	MAIN FRAME	12
AUXILIARY HYDRAULICS ----	98, 100	MANIFOLDS	93
AXLE	32	MOTOR, HYDROSTATIC	70
BATTERY	74	MUFFLER	80
BELT, DRIVE	80	OIL FILTER	90
BOB-TACH	26	OIL	148
BOOT, RUBBER	30	PAINT	147
BRAKE, CALIPER	118	PEDALS, CONTROL	41
BRAKE	34	PISTON	88
CAB ENCLOSURE	106, 108	POLISH	148
CAB	14	PUMP, GEAR	67
CABLE, THROTTLE	81	PUMP, HYDROSTATIC -	55, 58, 60, 66
CAP, FUEL	28	QUICK COUPLERS	98, 100
CAP, HYD. OIL	50	RIMS	145
CHAIN, DRIVE	31	RINGS	88
CHAINCASE	12	SEALANT	147
CRANKSHAFT	88	SEAT BAR KIT	133
CYLINDER, LIFT	39	SEAT BAR	18
CYLINDER, TILT	40	SEAT BELT	16, 135
DECAL KIT	112, 114	SEAT	22, 143, 144
DIPSTICK	89	SHORT BLOCK	82
DOOR, CAB	106	SOLENOID	74
DOOR, REAR	29	SOUND OPTION	140
ENGINE	82	SPARK PLUGS	92
FILTER, AIR	95	STARTER	77
FILTER, ENG. OIL	1, 90	STATOR	92
FILTER, FUEL	28	STEERING LEVER	54
FILTER, HYD. OIL	50	STROBE LIGHT	141
FIRE EXTINGUISHER	127	TANK, FUEL	28
FUEL CAP	28	THROTTLE CABLE	81
FUEL FILTER	28	TIRES	145
FUEL PUMP	94	VALVE, HYD.	46
FUEL TANK	28	VALVE	87
GAS SPRING, SEAT	144	WEIGHT	12
GEAR PUMP	67	WHEELS	145
GREASE	148	WINDOW, REAR	108, 132
HAND CONTROLS	54	WINDOW, TOP	108
HARNES, ENG. ELEC.	74	WINDOWS, SIDE	110
LIFT ARM	24		
LIFT, SINGLE POINT	138		

450 CONTENTS

MAIN FRAME	12-33
MAIN FRAME	12-13
OPERATOR CAB	14-15
SEAT & SEAT BAR	16-21
SEAT	22-23
LIFT ARMS & BOB-TACH	24-25
BOB-TACH	26-27
FUEL SYSTEM	28-29
REAR DOOR	30-31
PANELS	32-33
DRIVE TRAIN	34-39
DRIVE TRAIN	34-35
AXLE	36-37
BRAKES	38-39
HYDRAULIC SYSTEM	40-55
HYDRAULIC SYSTEM	40-43
LIFT CYLINDER	44-45
TILT CYLINDER	46-47
CONTROL PEDALS	48-49
BICS BLOCK	50-51
HYDRAULIC VALVE	52-55
HYDROSTATIC SYSTEM	56-83
HYDROSTATIC CIRCUITRY	56-61
HAND CONTROLS	62-63
HYDROSTATIC PUMP	64-79
GEAR PUMP	80-81
HYDROSTATIC MOTOR	82-83
ELECTRICAL SYSTEM	84-89
CAB ELECTRICAL CIRCUITRY	84-85
ENGINE ELECTRICAL	86-89
POWER UNIT	90-120
STARTER	90-91
ENGINE & ATTACHING PARTS	92-93
THROTTLE & CHOKE	94-95
ENGINE	96-97
SHROUDING	98-99
CRANKCASE	100-101
HEADS, VALVES & CAMSHAFT	102-101
PISTONS, CRANKSHAFT & FLYWHEEL	104-105
OIL PUMP, DIPSTICK & BREAKER	106-107
ENGINE OIL FILTER KIT	108-109
GOVERNOR	110-111
IGNITION	112-113
MANIFOLDS	114-115
FUEL SYSTEM	116-117
AIR CLEANER	118-119
ACCESSORIES & OPTIONS	123-194
AUXILIARY HYDRAULIC KIT	123-126
AUXILIARY SPOOL KIT	127-128
BACK-UP ALARM	129-130
BEACON LIGHT	131-132
CAB ENCLOSURE	133-136
CAB WINDOWS	137-138
DECALS	139-142
EUROPEAN ACCESSOIRES	143-156
FIRE EXTINGUISHER	157-158
FLOAT OPTION KIT	159-160
HORN KIT	161-162
LIGHT KIT	163-164
LOCKING CAP & COVER	165-166
REAR WINDOW	167-168
SEAT BAR KIT	169-170
SEAT BELT	171-172
SEAT KIT	173-174
* SEAT SENOR OVERRIDE	175-176

450 CONTENTS (Cont'd)

ACCESSORIES & OPTIONS (CONT'D)	123-194
SINGLE POINT LIFT	177-178
SOUND OPTION	179-180
SOUND REDUCTION HARDHAT	181-182
STROBE LIGHT	183-184
SEAT	185-186
SUSPENSION SEAT	187-190
TIRES & RIMS	191-192
BULK ITEMS	193-194
NUMERICAL INDEX	195-221
NUMERICAL INDEX	195-221

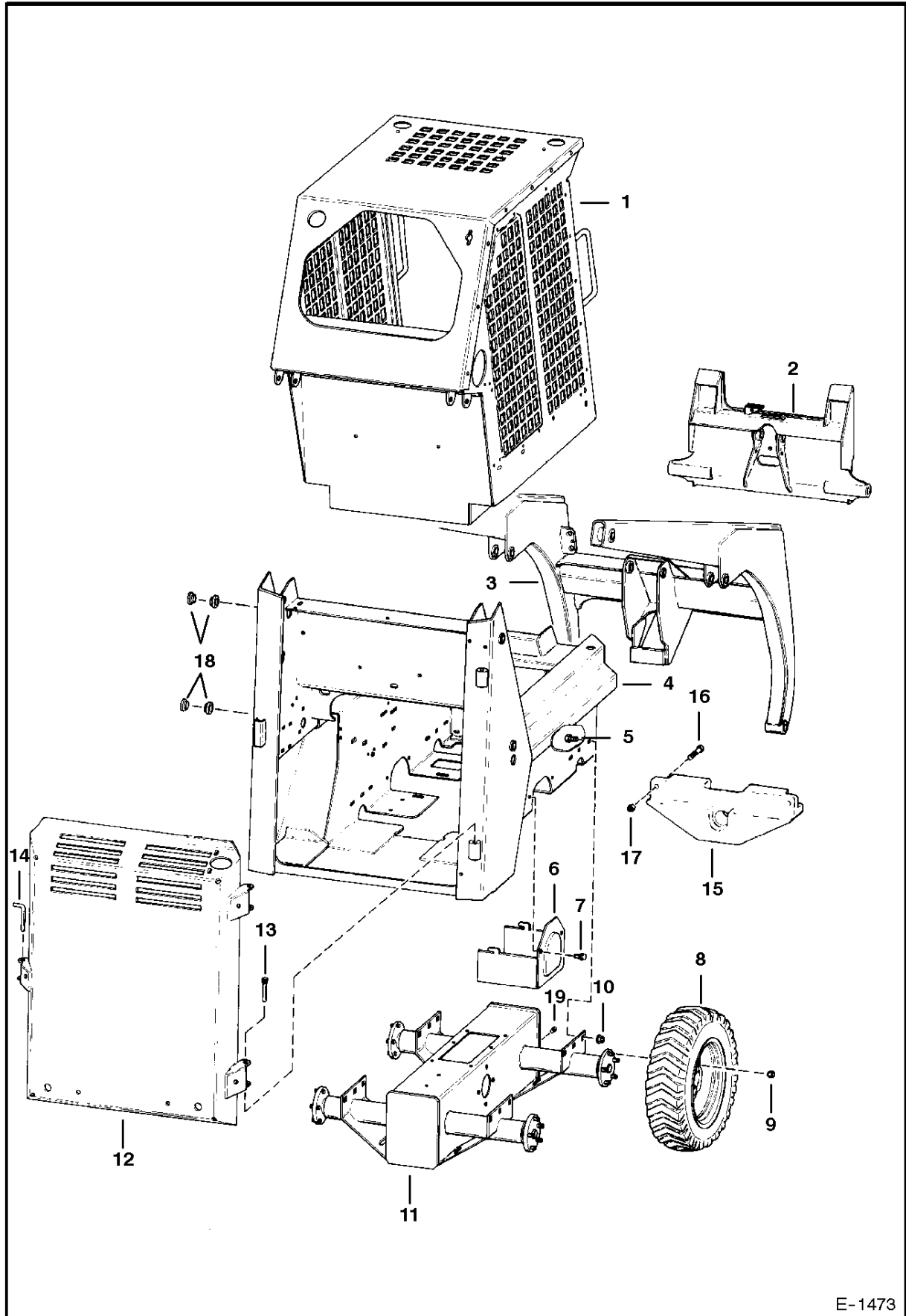
450 CONTENTS

MAIN FRAME	12-33
MAIN FRAME	12-13
OPERATOR CAB	14-15
SEAT & SEAT BAR	16-21
SEAT	22-23
LIFT ARMS & BOB-TACH	24-25
BOB-TACH	26-27
FUEL SYSTEM	28-29
REAR DOOR	30-31
PANELS	32-33
DRIVE TRAIN	34-39
DRIVE TRAIN	34-35
AXLE	36-37
BRAKES	38-39
HYDRAULIC SYSTEM	40-55
HYDRAULIC SYSTEM	40-43
LIFT CYLINDER	44-45
TILT CYLINDER	46-47
CONTROL PEDALS	48-49
BICS BLOCK	50-51
HYDRAULIC VALVE	52-55
HYDROSTATIC SYSTEM	56-83
HYDROSTATIC CIRCUITRY	56-61
HAND CONTROLS	62-63
HYDROSTATIC PUMP	64-79
GEAR PUMP	80-81
HYDROSTATIC MOTOR	82-83
ELECTRICAL SYSTEM	84-89
CAB ELECTRICAL CIRCUITRY	84-85
ENGINE ELECTRICAL	86-89
POWER UNIT	90-120
STARTER	90-91
ENGINE & ATTACHING PARTS	92-93
THROTTLE & CHOKE	94-95
ENGINE	96-97
SHROUDING	98-99
CRANKCASE	100-101
HEADS, VALVES & CAMSHAFT	102-101
PISTONS, CRANKSHAFT & FLYWHEEL	104-105
OIL PUMP, DIPSTICK & BREAKER	106-107
ENGINE OIL FILTER KIT	108-109
GOVERNOR	110-111
IGNITION	112-113
MANIFOLDS	114-115
FUEL SYSTEM	116-117
AIR CLEANER	118-119
ACCESSORIES & OPTIONS	123-194
AUXILIARY HYDRAULIC KIT	123-126
AUXILIARY SPOOL KIT	127-128
BACK-UP ALARM	129-130
BEACON LIGHT	131-132
CAB ENCLOSURE	133-136
CAB WINDOWS	137-138
DECALS	139-142
EUROPEAN ACCESSOIRES	143-156
FIRE EXTINGUISHER	157-158
FLOAT OPTION KIT	159-160
HORN KIT	161-162
LIGHT KIT	163-164
LOCKING CAP & COVER	165-166
REAR WINDOW	167-168
SEAT BAR KIT	169-170
SEAT BELT	171-172
SEAT KIT	173-174
* SEAT SENOR OVERRIDE	175-176

450 CONTENTS (Cont'd)

ACCESSORIES & OPTIONS (CONT'D)	123-194
SINGLE POINT LIFT	177-178
SOUND OPTION	179-180
SOUND REDUCTION HARDHAT	181-182
STROBE LIGHT	183-184
SEAT	185-186
SUSPENSION SEAT	187-190
TIRES & RIMS	191-192
BULK ITEMS	193-194
NUMERICAL INDEX	195-221
NUMERICAL INDEX	195-221

MAIN FRAME

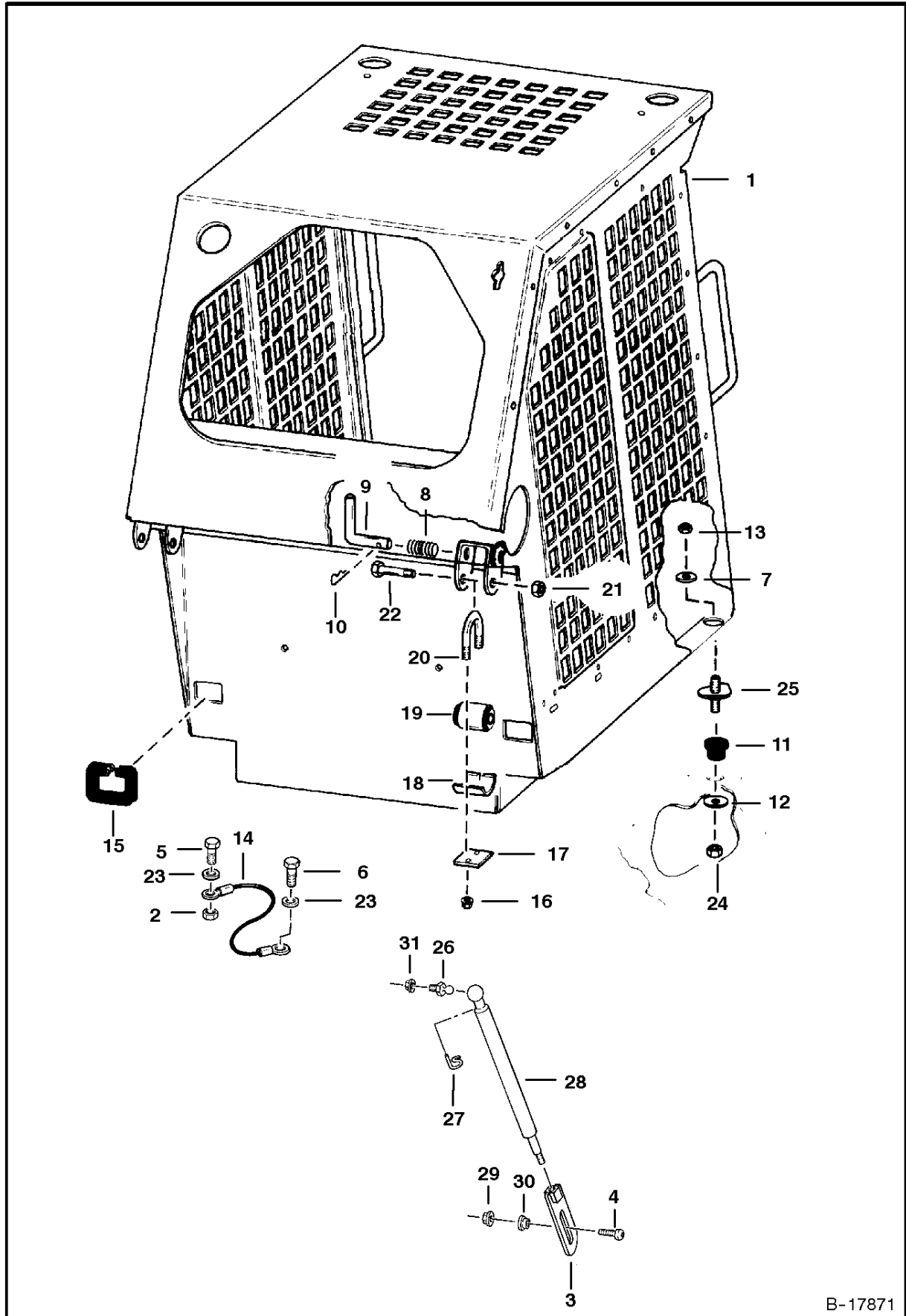


E-1473

MAIN FRAME

Ref.N°	Part N°	Description	Remarks	Serial N°	Qty.
1	SALES	CAB	See Page OPERATOR CAB(1)		1
2	SALES	BOB-TACH	See Page BOB-TACH(1)		1
3		LIFT ARM	See Page LIFT ARMS & BOB-TACH(5)		1
4	NAP	MAIN FRAMEinD1	Order 6713926 And 2 Covers 6714137 - Relocation Of Fuel Filter Is Neccasary - Was 6708125		1
4	6713926	MAIN FRAMEinD1F	May Need To Order Battery Pan 6715086 And 2 , 7C-624		1
5	37C-820	BOLT			12
6	6564185	COVER	For 6708125 Main Frame		2
6	NAP	COVER	For 6713926 Main Frame - See BTI #327 - Was 6714137 [A]		2
6	6718144	COVER			2
7	84G-3712	BOLT			4
8		TIRES & RIMS	See Page TIRES & RIMS(1)		4
9	6561152	NUT			20
10	83D-8	NUT			12
11	6706429	CHAINCASE			1
12		REAR DOOR	See Page REAR DOOR(6)		1
13	6564340	PIN			2
14	6564192	PIN			1
15	6564681	WEIGHT			1
16	17C-828	BOLT			2
17	57D-8	NUT			2
18	6563829	BUSHING	Weld On		8
19	11F-12	PLUG			1

OPERATOR CAB

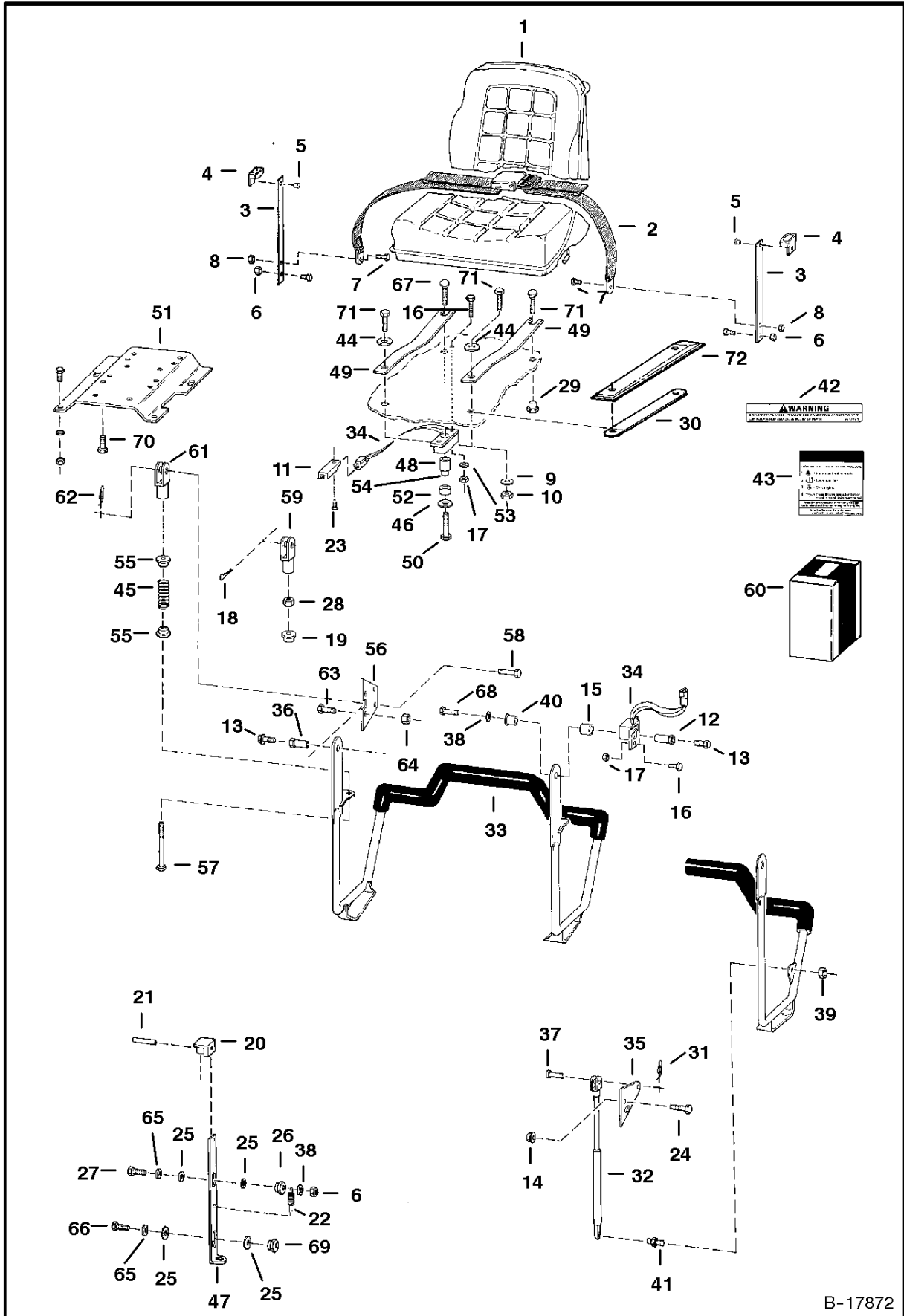


B-17871

OPERATOR CAB

Ref.N°	Part N°	Description	Remarks	Serial N°	Qty.
1	6708601	OPERATOR CAB	Was SALES		1
2	61D-5	NUT			2
3	6706092	END	gas spring		1
4	25G-616	BOLT			1
5	17C-512	BOLT			1
6	84G-3112	BOLT			1
7	6553709	WASHER			2
8	6593390	SPRING			1
9	6593389	PIN			1
10	1306637	PIN			1
11	6560633	MOUNT	rubber		2
12	6515817	WASHER			2
13	59D-8	NUT			2
14	6594283	WIRE			1
15	6555351	SEAL	bulk - Order 1 Foot (305 mm)		1
16	83D-6	NUT			4
17	6565068	PLATE			2
18	6563997	RETAINER			2
19	6562602	BUSHING			2
20	6563998	U-BOLT			2
21	85D-10	NUT			2
22	17C-1048	BOLT			2
23	25E-15	WASHER			2
24	83D-8	NUT			2
25	6702971	BOLT			2
26	6706519	STUD	ball		2
27	6706520	RING	retaining		2
28	6664206	GAS SPRING			1
29	95D-6	NUT	Was 91D-6 [A]		2
30	6706272	BUSHING			2
31	83D-5	NUT			1

SEAT & SEAT BAR



B-17872

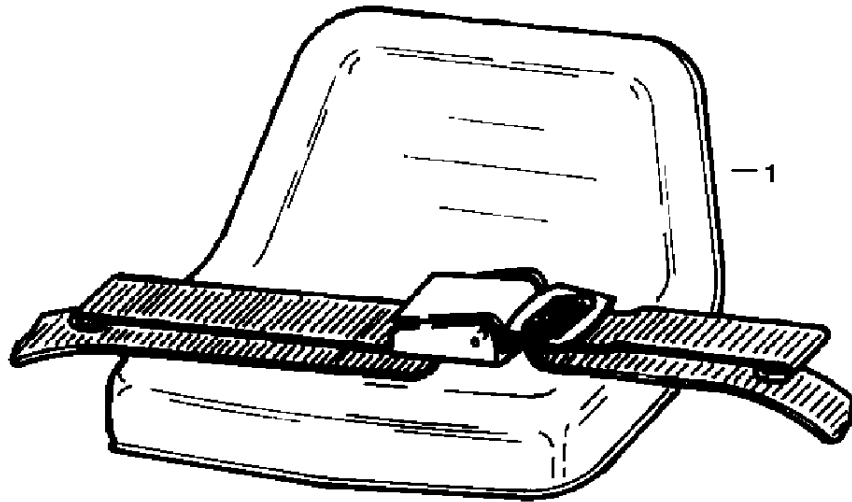
SEAT & SEAT BAR

Ref.N°	Part N°	Description	Remarks	Serial N°	Qty.
1		SEAT	See Page SEAT(1)		1
2	NAP	SEAT BELT	Order 6725403 seat belt - Was 6564774 [A]		1
2	NAP	SEAT BELT	Order 6725403 seat belt - Was 6667875 [A]		1
2	6725403	SEAT BELT	w/guides		1
3	NAP	GUIDE ASSY	W/Ref. SEAT & SEAT BAR(4) & SEAT & SEAT BAR(5) - 13.75' (349,2 mm) Used W/NAP 6564774 - Was 6565354 [A]		2
3	NAP	GUIDE ASSY	W/Ref. SEAT & SEAT BAR(4) & SEAT & SEAT BAR(5) - 12.25' (311,1 mm) Used W/NAP 6667875 - Order 6711908 spring plate, Ref. SEAT		2
3	6711908	SPRING PLATE			2
4	6565355	GUIDE			2
5	6630207	RIVET			4
6	85D-6	NUT			4
7	17C-715	BOLT			2
8	85D-7	NUT			2
9	6701174	WASHER			2
10	61D-5	NUT			2
11	6665000	CLIP			1
12	6706685	BUSHING			1
13	35C-608	BOLT		5617 12214 & Bel	2
13	35C-612	BOLT		5617 12215 & Abv	2
14	83D-6	NUT			6
15	6671135	BUSHING	Was 6670688 [A]		2
16	35C-410	BOLT	fastens thru tab - 5/8' (15,9 mm)		2
16	17C-428	BOLT	fastens thru body -13/4'(44.4mm) - Was 6710539 [A]		2
17	83D-4	NUT	fastens thru tab		2
17	50D-12	NUT	fastens thru body		1
18	1306637	PIN			2
19	6571991	WASHER			2
20	6702343	BLOCK	Was 6563148 [A]		2
21	14J-2512	PIN			2
22	6594284	SPRING	Was 6702430 [A]		2
23	6664221	RETAINER			1
24	17C-624	BOLT	Was 17C-612 [D]		4
25	6700170	WASHER	plastic		8
26	6559479	NUT			4
27	17C-624	BOLT	Was 17C-612 [B]		4
28	8D-6	NUT	jam	5617 12214 & Bel	2
29	6707319	NUT	spacer		1
30	6711730	STRIP			2
31	6631418	PIN	ring		1
32	6664207	GAS SPRING			1
32	(cont'd)			Epro1Page	x
33	6707717	SEAT BAR	for use W/Gas Spring		1
33	NAP	SEAT BAR	for use W/Compression Spring - Order 6713886 seat bar & 2 each of Ref. SEAT & SEAT BAR(55),SEAT & SEAT BAR(57),SEAT & SEAT BAR(1
33	6713886	SEAT BAR	for use W/ compression spring		1
34	6670652	SENSOR	Also Order Ref. SEAT & SEAT BAR(54) - Was 666769 0 [A]		2
35	6708595	BRACKET			1
36	6706962	BUSHING			1
37	4F-5062	PIN			1
38	25E-17	WASHER		5617 12214 & Bel	3
38	25E-17	WASHER		5617 12215 & Abv	5
39	85D-5	NUT			1

SEAT & SEAT BAR

Ref.N°	Part N°	Description	Remarks	Serial N°	Qty.
40	6664882	BUSHING	keyed		2
41	6649244	BALL STUD			1
42	6577754	DECAL	warning		1
43	6707134	DECAL	instruction for LCS		1
44	6706890	WASHER			2
45	6701535	SPRING			2
46	25E-16	WASHER			1
47	6704558	LOCK	right -Was 6563150 [D]		2
47	6704559	LOCK	left		1
48	6710751	BUSHING	spacer		1
49	6706966	SPRING	plate - Standard seat requires (1) on the R.H. side and the susp seat requires (2), one on each side		x
50	17C-508	BOLT			2
51	6594257	BRACKET			1
52	6666608	BUSHING	tapped magnetic		1
53	25E-10	WASHER			1
54	6664881	KEY	magnet bushing		1
55	6710659	BUSHING		5617 12214 & Bel	2
55	6710659	BUSHING		5617 12215 & Abv	4
56	6710660	MOUNT			2
57	6713887	BOLT	Was 6711897 [A]		2
58	4F-6106	PIN			2
59	2J-6208	CLEVIS		5617 12214 & Bel	2
60	NAP	KIT	Order Ref. SEAT & SEAT BAR(2) - Was 6713061 [A]		1
61	6713589	CLEVIS		5617 12215 & Abv	2
62	6631418	PIN		5617 12215 & Abv	2
63	17C-712	BOLT		5617 12215 & Abv	2
64	91D-7	NUT		5617 12215 & Abv	2
65	872229	WASHER			2
66	35C-616	BOLT			2
67	35C-516	BOLT			1
68	17C-608	BOLT		5617 12215 & Abv	2
69	6594298	NUT			2
70	17C-510	BOLT			4
71	17C-516	BOLT			3
72	6711729	COVER			2

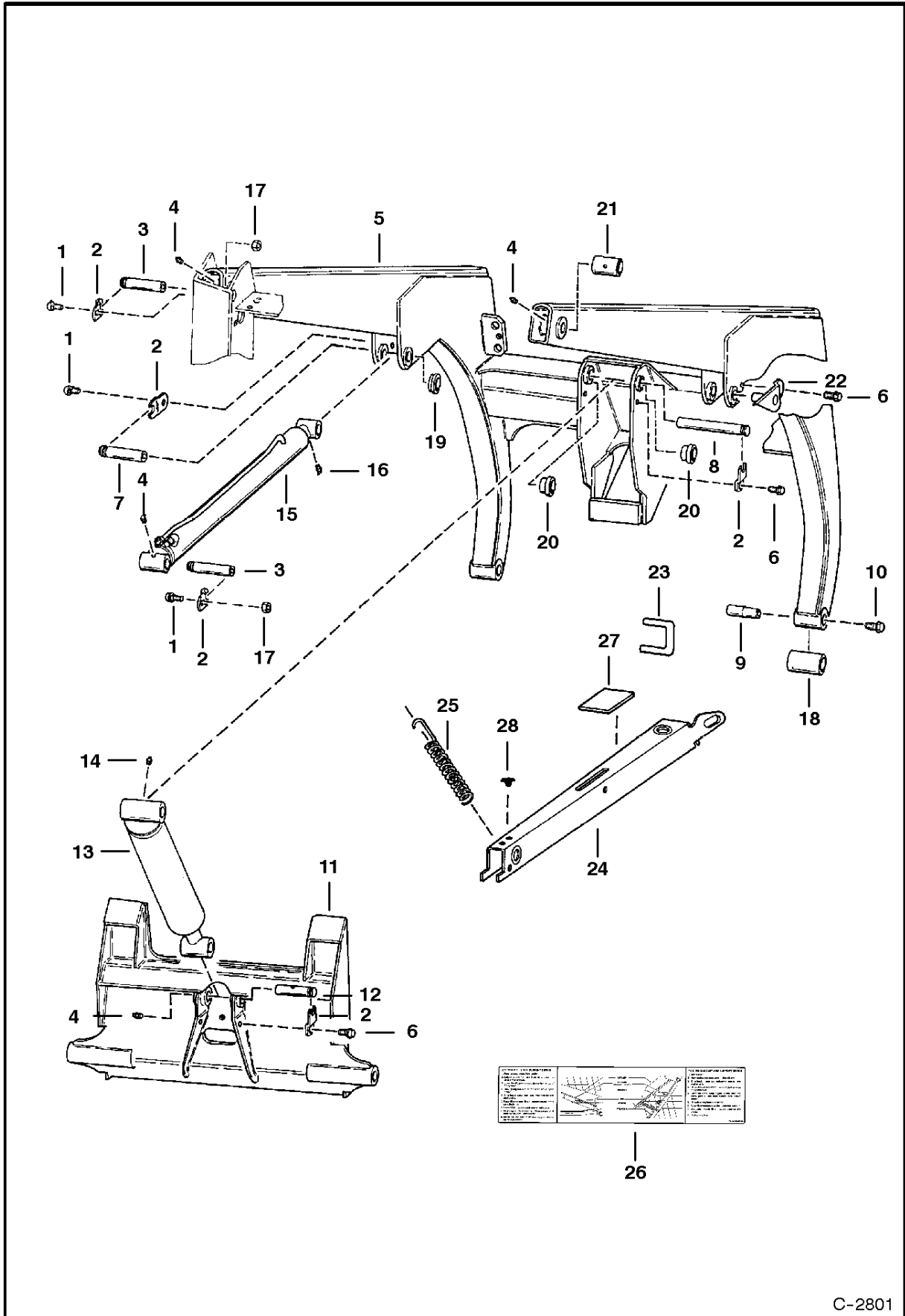
SEAT



B-17650

Ref.N°	Part N°	Description	Remarks	Serial N°	Qty.
1	6591598	SEATinD1J	Milsco 10 3/4' (273 mm) - Height from base		1
1	6643253	SEAT	Michigan 10 3/4' (273 mm) - Height from base		1

LIFT ARMS & BOB-TACH

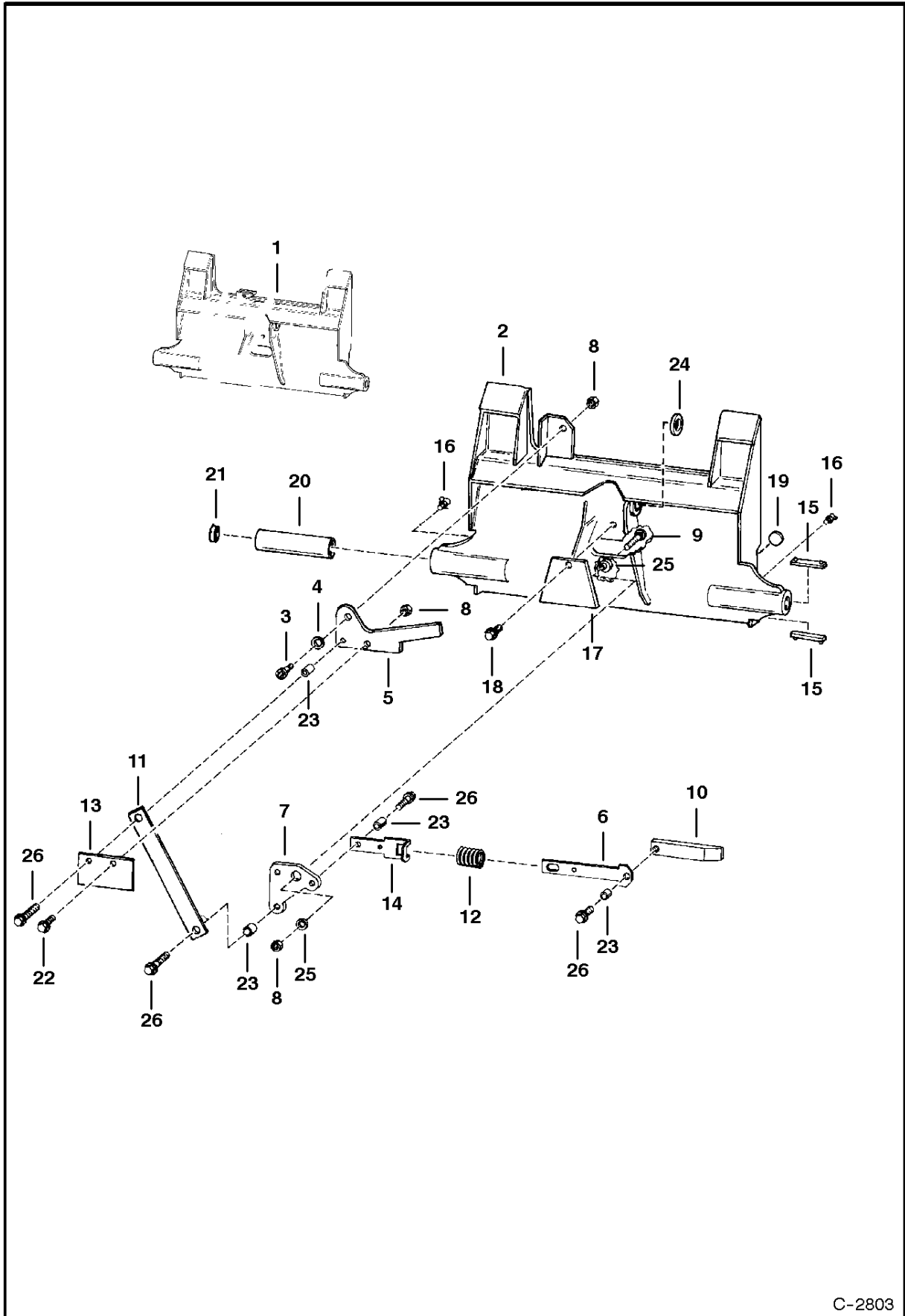


C-2801

LIFT ARMS & BOB-TACH

Ref.N°	Part N°	Description	Remarks	Serial N°	Qty.
1	6553808	BOLT			4
2	6586307	RETAINER	Was 6563850 [A]		8
3	6563848	PIN			4
4	10H-25	GREASE ZERK			3
5	6563844	LIFT ARMinD1L	Also Order 6579528, 6569233 6565257, 6565258		1
6	84G-3712	BOLT			4
7	6563847	PIN			2
8	6563846	PIN			1
9	6564198	PIN			2
10	17C-828	BOLT			2
11		BOB-TACH	See Page BOB-TACH(1)		1
12	6563845	PIN			1
13		CYLINDER	tilt - See Page TILT CYLINDER(1)		1
14	10H-35	GREASE ZERK			1
15		CYLINDER	lift - See Page LIFT CYLINDER(1)		2
16	11H-25	GREASE ZERK			4
17	83D-5	NUT			4
18	6563832	BUSHING	Weld On		2
18			Painted Only		1
19	6563829	BUSHING	Weld On		4
20	6563830	BUSHING	Weld On		2
21	6563831	BUSHING	Weld On		2
22	6706663	PIN			1
23	6714811	PIN	Retainer - Was 6706660 [A]		1
24	6706667	SUPPORT	Lift arm		1
25	6579072	SPRING	For lift arm support - Was 6700743 [A]		1
26	6711659	DECAL	Was 6706669 [A]		1
27	6704436	PAD			1
28	6519178	BUMPER			1

BOB-TACH

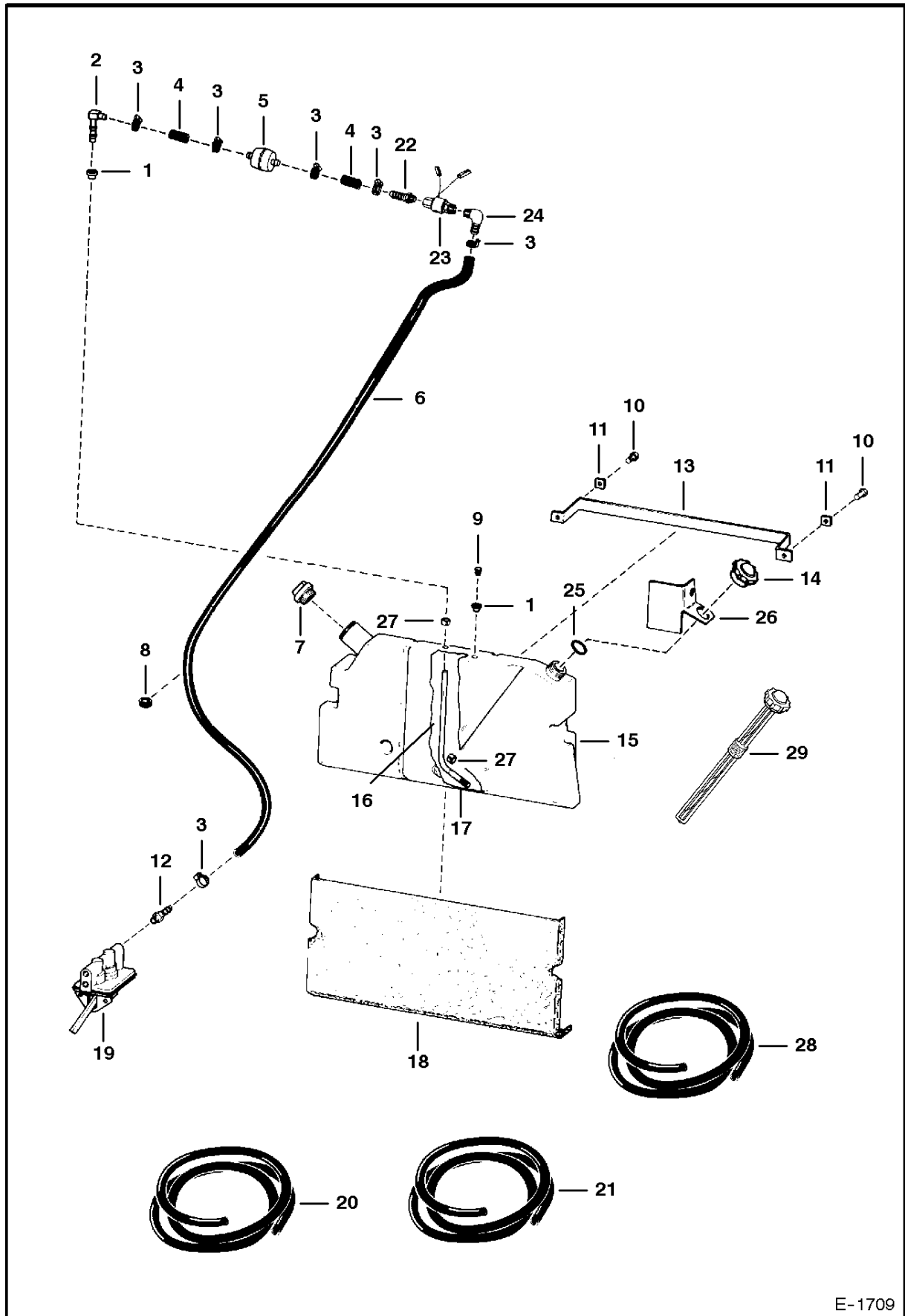


C-2803

BOB-TACH

Ref.N°	Part N°	Description	Remarks	Serial N°	Qty.
1	6529478	BOB-TACHinD1}#	Was SALES		1
2	NAP	FRAME			1
3	38C-810	BOLT			3
4	25E-21	WASHER			1
5	6529720	LEVER			1
6	6529716	LINK	wedge		2
7	6531832	BELLCRANK			1
8	85D-6	NUT			3
9	17C-632	BOLT			1
10	6563909	WEDGE			2
11	6531833	LINK	11.20" (284 mm)		1
12	6565156	SPRING			2
13	6529721	SEAL			1
14	6529718	RETAINER	spring		2
15	6562026	INSERT			4
16	12H-15	GREASE ZERK			2
17	6565192	COVER			1
18	84G-3712	BOLT			1
19	215842	PLUG			2
20	6565160	BUSHING	weld on		2
21	1990599	SEAL			2
22	35C-616	BOLT			1
23	6636022	SPACER			6
24	6563830	BUSHING	weld on		2
25	25E-18	WASHER			1
26	35C-612	BOLT			6

FUEL SYSTEM

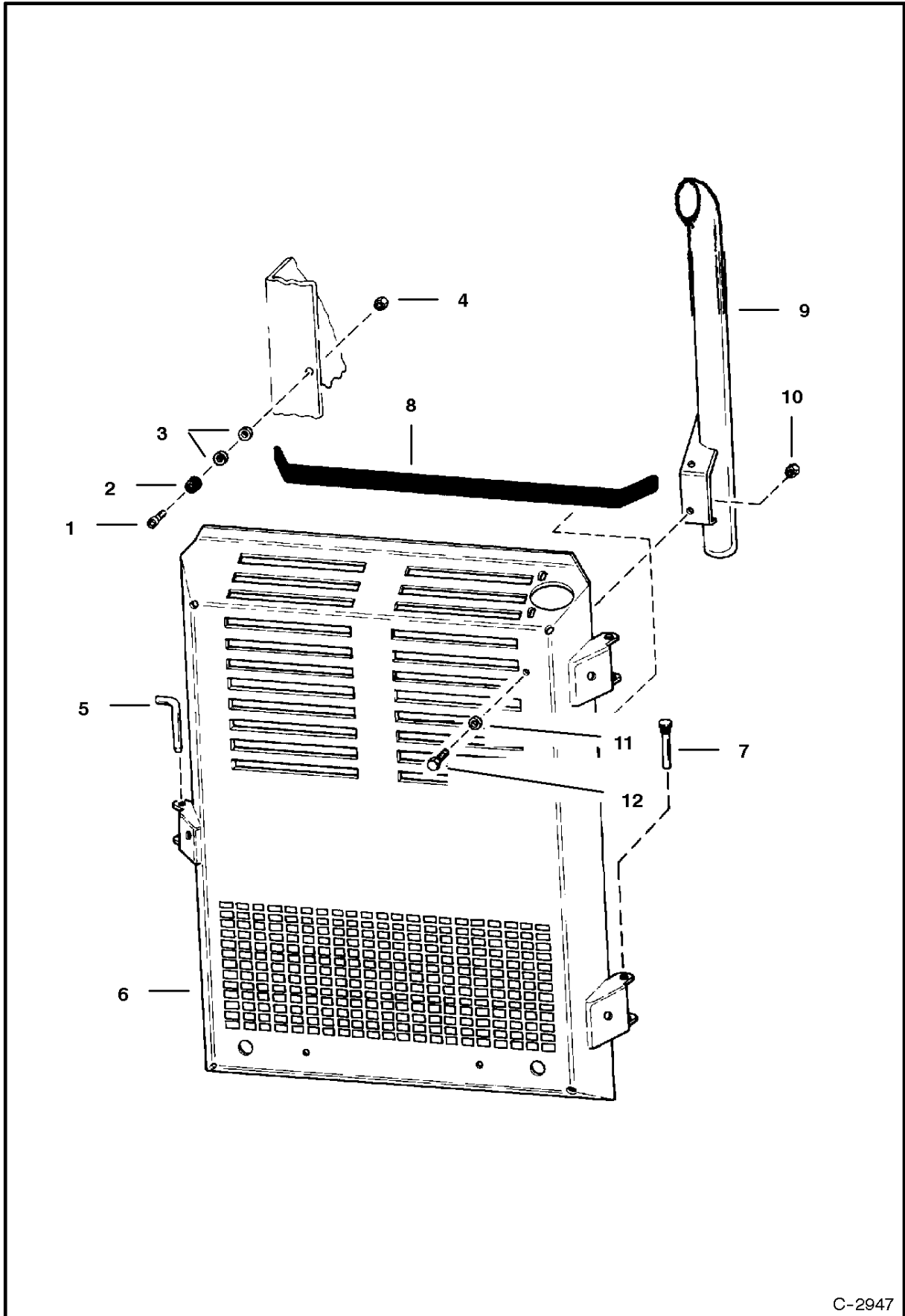


E-1709

FUEL SYSTEM

Ref.N°	Part N°	Description	Remarks	Serial N°	Qty.
1	6553411	BUSHING			2
2	6598908	ELBOW			1
3	6515575	CLAMP			6
4	NAP	HOSE	1-1/2' (38,1 mm) - Order Ref. FUEL SYSTEM(20)		2
5	6511393	FILTERinD1}'inD1}#			1
6	NAP	HOSE	45' (1143 mm) - Order Ref. FUEL SYSTEM(20)		1
7	6632468	FUEL CAPinD1}&			1
7	6662770	FUEL CAPinD1}+	locking - Was 6661696 [A]		1
7	6587458	KEY SET	PK510		1
8	1023368	GROMMET			1
9	6599645	PLUG			1
10	84G-3716	BOLT			2
11	6559447	WASHER			2
12	6630064	ADAPTER			1
13	6564037	BAND			1
14	6635885	CAP			1
15	6708327	TANK			1
16	NAP	HOSE	14.75' (374.65 mm) long - Order Ref. FUEL SYSTEM(28)Xcom34. }H-10{M		x
17	6650239	SCREEN			1
18	6564268	INSULATION			1
19		PUMP	See Page FUEL SYSTEM(11)		1
20	6577821	HOSE	bulk - Sold Per Foot		x
21	NAP	TAPE	heat reflective - bulk - Sold Per Foot - PURCHASE LOCALLY - Was 6630040 [A]		x
22	6505813	ADAPTER			1
23	6559117	SOLENOID			1
24	6515156	FITTING			1
25	25K-60204	O-RING			1
26	6564038	MOUNT			1
27	6661213	CLAMP			2
28	6569752	HOSE	bulk - Sold Per Foot		x
29	6598910	GAUGE			1

REAR DOOR

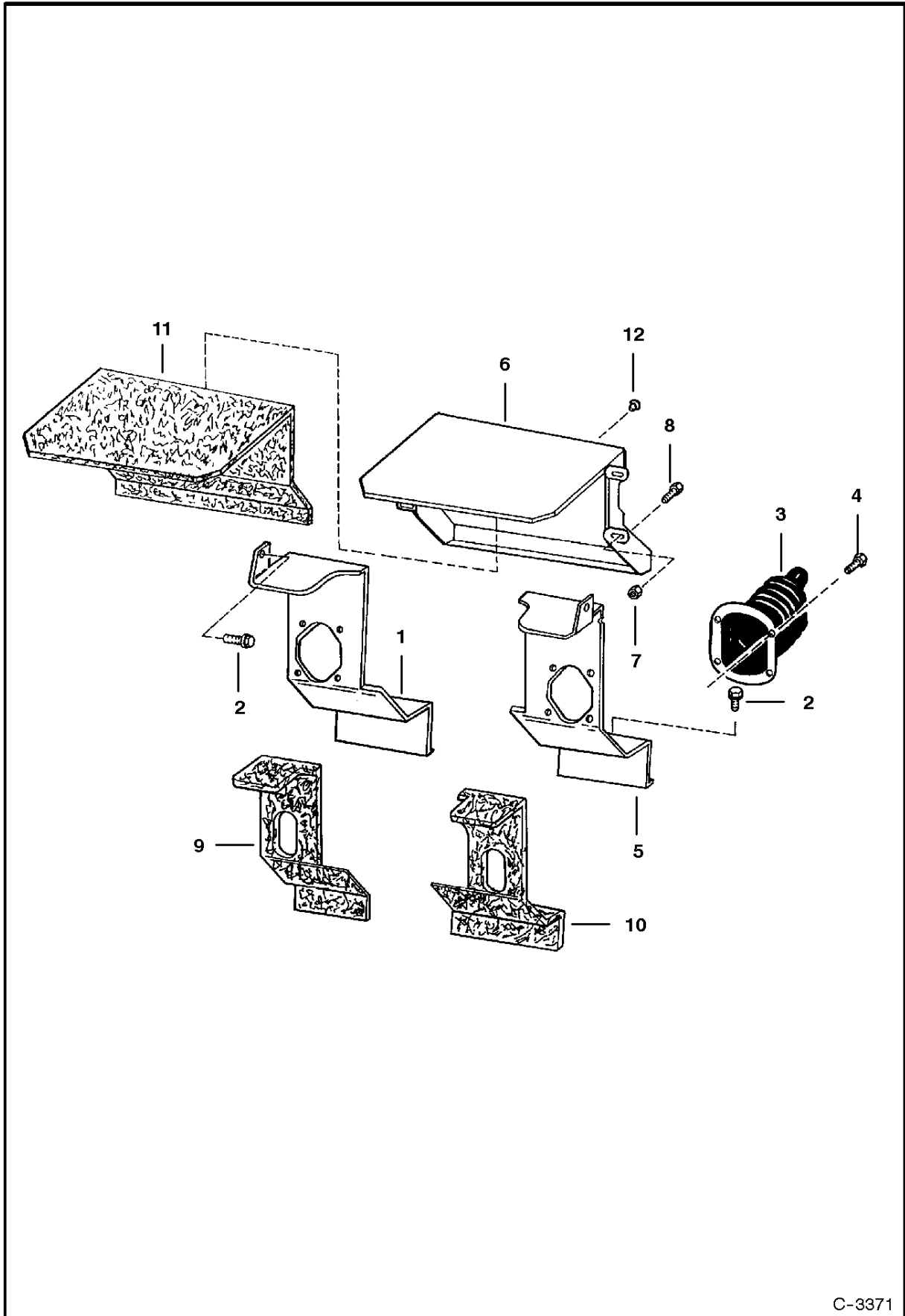


C-2947

REAR DOOR

Ref.N°	Part N°	Description	Remarks	Serial N°	Qty.
1	73G-516	BOLT			2
2	6655399	BUMPER	Was 6511847 [A]		2
3	25E-16	WASHER			4
4	83D-5	NUT			2
5	6564192	PIN			1
6	6593975	DOORinD1}d			1
7	6564340	PIN			2
8	6594251	STRIP	foam		1
9	6712642	EXHAUST PIPE	Was 6565813 [A]		1
10	61D-6	NUT			3
11	25E-17	WASHER			3
12	17C-612	BOLT			3

PANELS

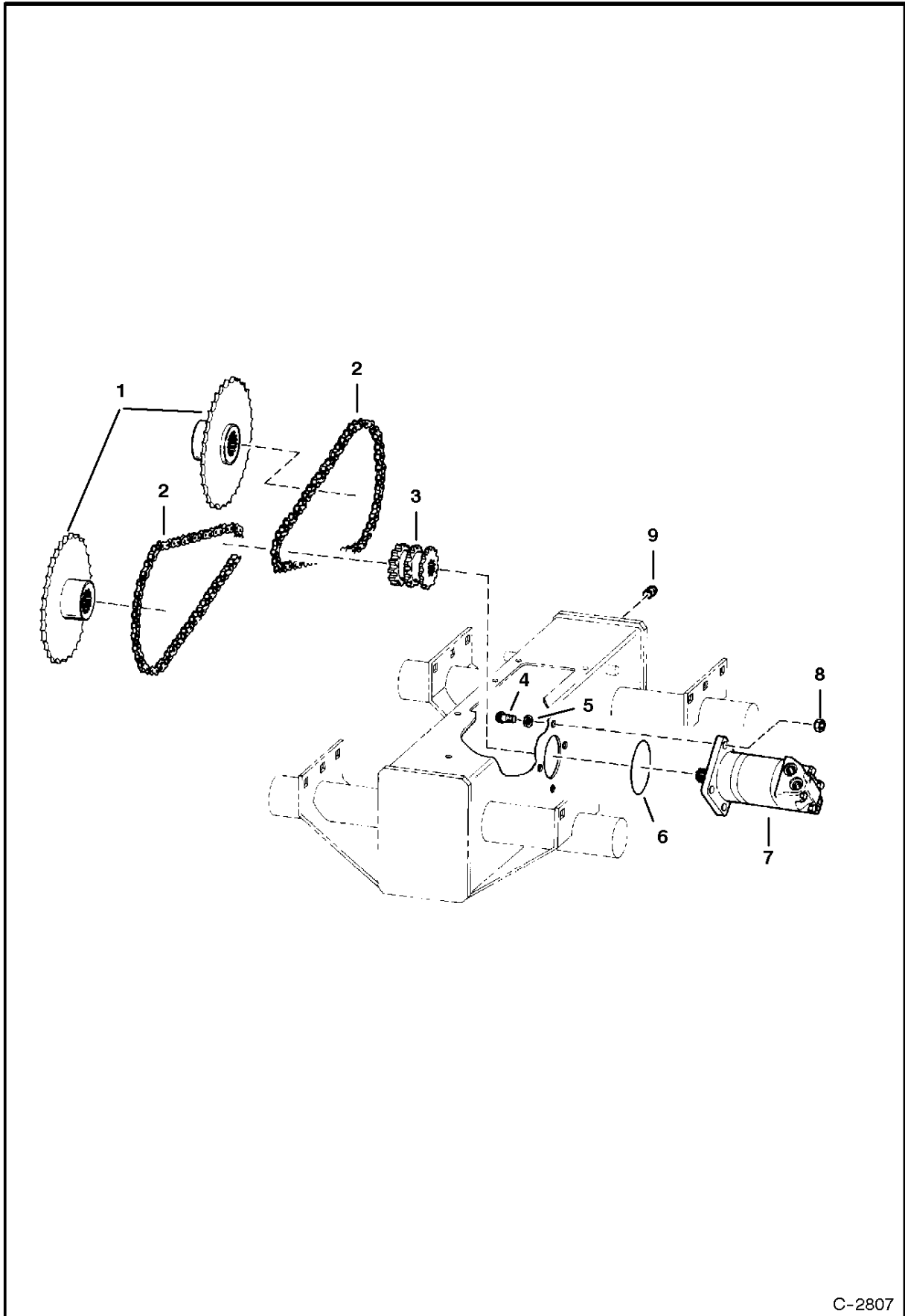


C-3371

PANELS

Ref.N°	Part N°	Description	Remarks	Serial N°	Qty.
1	6707384	SHIELD			1
2	84G-3712	BOLT			4
3	6532127	BOOT			2
4	6630207	RIVET			8
5	6707383	SHIELD			1
6	6707389	SHIELD			1
7	85D-6	NUT			4
8	35C-616	BOLT			4
9	6708485	INSULATION			1
10	6708484	INSULATION			1
11	6708483	INSULATION			1
12	6598805	PLUG	European		1

DRIVE TRAIN

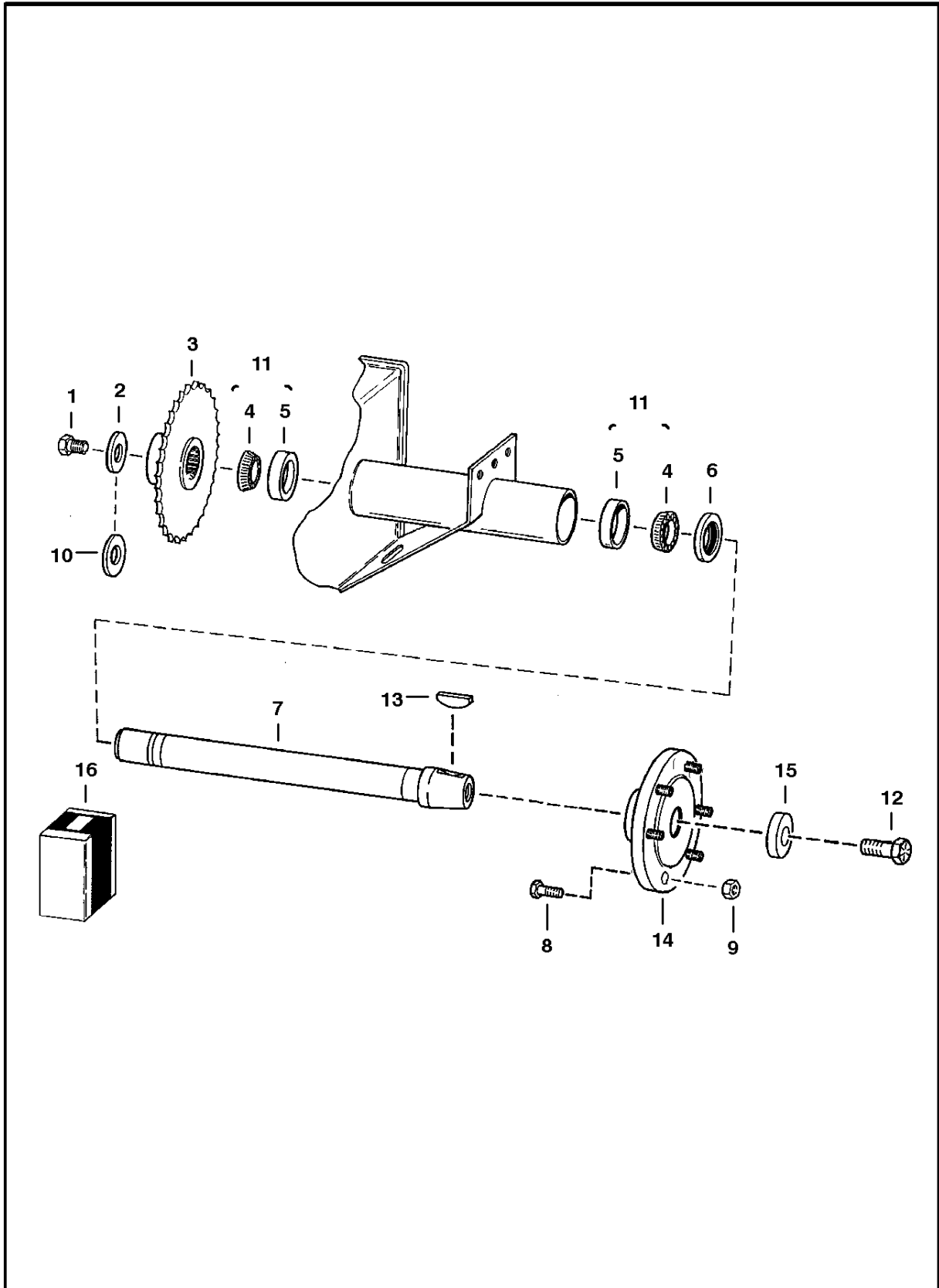


C-2807

DRIVE TRAIN

Ref.N°	Part N°	Description	Remarks	Serial N°	Qty.
1	6563798	SPROCKET			4
2	6565551	CHAIN			4
2	6515191	LINK	conn.		4
3	6708239	SPROCKET			2
4	6564741	BOLT			8
5	6564740	WASHER			8
6	25K-40400	O-RING			2
7		MOTOR	hydro. - See Page HYDROSTATIC MOTOR(1)		2
8	64D-8	NUT			8
9	11F-12	PLUG			1

AXLE



Note: Bearing & Race must be of same brand.

Note: Assemble Kit per illustration and torque Ref. 12 to 175-190 Ft. lbs.

B-17528

AXLE

Ref.N°	Part N°	Description	Remarks	Serial N°	Qty.
1	18C-1024	BOLT			1
2	6563795	WASHER			1
3	6563798	SPROCKET			1
4	NSS	BEARING	See Note - Order Ref. AXLE(11)		2
5	NSS	RACE	See Note - Order Ref. AXLE(11)		2
6	6598829	SEAL			1
7	6706032	AXLE			4
8	6506362	STUD			5
9	6561152	NUT			5
10	6592765	WASHER	recessed - To take up end play		x
11	6633672	BEARING	W/Race		2
12	18C-1228	BOLT			4
13	6J-1210	KEY			4
14	6706031	HUB	W/Ref. AXLE(8)		4
15	6552871	WASHER			4
16	6722929	KIT	W/Ref. AXLE(7), AXLE(8) & AXLE(13) - AXLE(15)		4

**Thank you very much
for your reading.**

**Please click here and go
back to our website.**

**Then, you can download
the complete manual
instantly.**

No waiting.

Have questions.

Please write to me.

**All the problems will be answered
within 12 hours.**

aservicemanuapdf@yahoo.com