

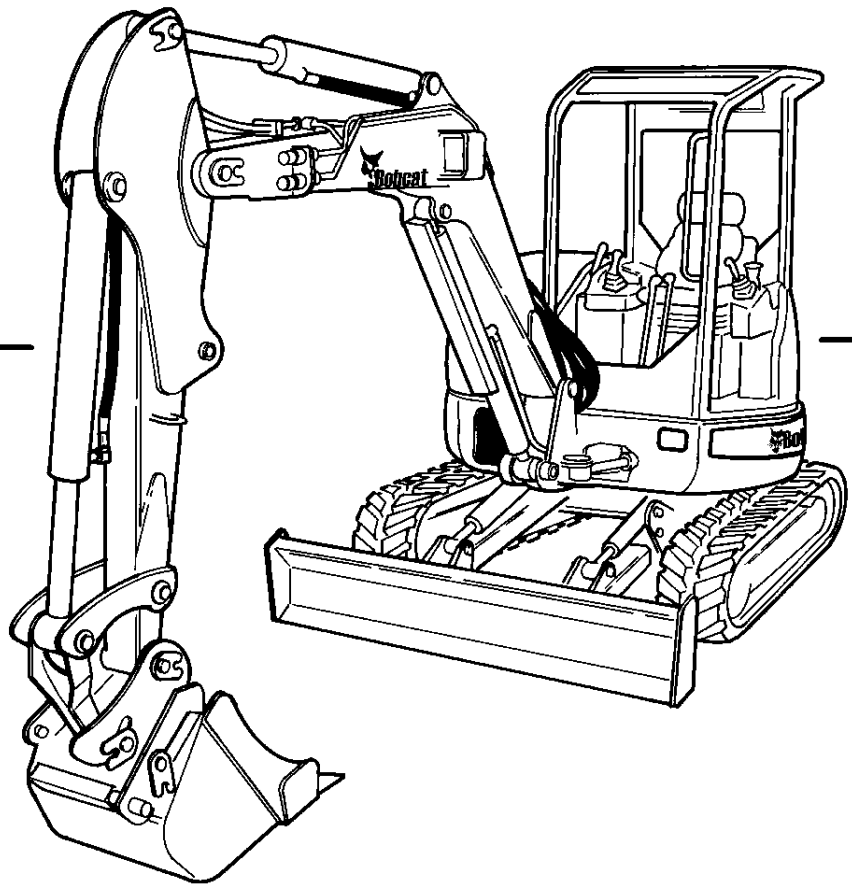
430D



Bobcat®

Parts Manual

S/N 5626 11001 & Above



430D CONTENTS

MAIN FRAME	9-30
MAINTENANCE ITEMS	9-10
MAINTENANCE SCHEDULE	11-12
UPPERSTRUCTURE	13-16
TAILGATE	17-18
OPERATOR CAB	19-20
OPERATOR SEAT	21-22
BUCKET	23-24
INSULATION	25-26
R.H. COVER	27-28
CANOPY	29-30
UNDERCARRIAGE	31-36
UNDERCARRIAGE	31-32
IDLER	33-34
STEEL TRACK OPTION	35-36
WORK EQUIPMENT	37-44
SWING FRAME	37-38
ARM	39-40
BOOM	41-42
BLADE	43-44
CONTROL CONSOLE	45-56
R.H. CONSOLE	45-46
L.H. CONSOLE	47-48
BLADE CONTROL	49-50
THROTTLE CONTROL	51-52
TRAVEL	53-56
HYDRAULIC CIRCUITRY	57-92
HYDRAULIC CIRCUITRY	57-60
HYDRAULIC PUMP	61-62
PUMP	63-64
HYDRAULIC CIRCUITRY	65-72
HYDRAULIC VALVE	73-74
SWING MOTOR	75-76
MOTOR CARRIER	77-78
ISO/STD	79-80
TANK	81-82
SWIVEL ASSY	83-84
ARM CYLINDER	85-86
BOOM CYLINDER	87-88
BLADE CYLINDER	89-90
BUCKET CYLINDER	91-92
SWING CYLINDER	93-94
ELECTRICAL	95-104
ELECTRICAL	95-100
ALTERNATOR	101-102
STARTER	103-104
POWER UNIT	105-165
ENGINE & ATTACHING PARTS	105-112
CRANKCASE	113-114
OIL PAN	115-116
CYLINDER HEAD	117-118
GEARCASE	119-120
HEAD COVER	121-122
OIL FILTER	123-124

Hello

Thank you very much for your download.

In the last page of this PDF document.

There is a link.

Please click on that link and return to our website.

Then you can get the complete manual immediately.

No need to wait.

Thanks for continuing to read the documentation.

Best wishes.

430D CONTENTS (Cont'd)

POWER UNIT (CONT'D)	105-165
DIPSTICK & GUIDE	125-126
OIL PUMP	127-128
MAIN BEARING CASE	129-130
CAMSHAFT & IDLE GEAR SHAFT	131-132
PISTON & CRANKSHAFT	133-134
FUEL CAMSHAFT & GOVERNOR SHAFT	135-136
IDLE APPARATUS	137-138
INJECTION PUMP	139-140
GOVERNOR	141-142
SPEED CONTROL PLATE	143-144
NOZZLE HOLDER & GLOW PLUG	145-146
FUEL PUMP	147-148
FAN DRIVE PULLEY	149-150
PLUG	151-152
WATER FLANGE & THERMOSTAT	153-154
WATER PUMP	154-156
FAN	157-158
VALVE & ROCKER ARM	159-160
INLET MANIFOLD	161-162
EXHAUST MANIFOLD	163-164
FUEL SYSTEM	165-165
ACCESSORIES & OPTIONS	169-199
AIR CONDITIONER UPGRADE KIT	169-170
BLOCK HEATER KIT	171-172
DECALS	173-174
HEATER KIT	175-176
HVAC KIT	177-180
KEYLESS IGNITION KIT	181-182
LONG ARM KIT	183-184
MOTION ALARM KIT	185-186
SECONDARY AUXILIARY KIT	187-188
SOLAR KIT	189-190
STEEL TRACK KIT	191-192
X-CHANGE™ KIT	193-196
X-CHANGE™ MOUNTED	197-198
BULK ITEMS	199-200
NUMERICAL INDEX	201-228
NUMERICAL INDEX	201-228

430D CONTENTS

MAIN FRAME	9-30
MAINTENANCE ITEMS	9-10
MAINTENANCE SCHEDULE	11-12
UPPERSTRUCTURE	13-16
TAILGATE	17-18
OPERATOR CAB	19-20
OPERATOR SEAT	21-22
BUCKET	23-24
INSULATION	25-26
R.H. COVER	27-28
CANOPY	29-30
UNDERCARRIAGE	31-36
UNDERCARRIAGE	31-32
IDLER	33-34
STEEL TRACK OPTION	35-36
WORK EQUIPMENT	37-44
SWING FRAME	37-38
ARM	39-40
BOOM	41-42
BLADE	43-44
CONTROL CONSOLE	45-56
R.H. CONSOLE	45-46
L.H. CONSOLE	47-48
BLADE CONTROL	49-50
THROTTLE CONTROL	51-52
TRAVEL	53-56
HYDRAULIC CIRCUITRY	57-92
HYDRAULIC CIRCUITRY	57-60
HYDRAULIC PUMP	61-62
PUMP	63-64
HYDRAULIC CIRCUITRY	65-72
HYDRAULIC VALVE	73-74
SWING MOTOR	75-76
MOTOR CARRIER	77-78
ISO/STD	79-80
TANK	81-82
SWIVEL ASSY	83-84
ARM CYLINDER	85-86
BOOM CYLINDER	87-88
BLADE CYLINDER	89-90
BUCKET CYLINDER	91-92
SWING CYLINDER	93-94
ELECTRICAL	95-104
ELECTRICAL	95-100
ALTERNATOR	101-102
STARTER	103-104
POWER UNIT	105-165
ENGINE & ATTACHING PARTS	105-112
CRANKCASE	113-114
OIL PAN	115-116
CYLINDER HEAD	117-118
GEARCASE	119-120
HEAD COVER	121-122
OIL FILTER	123-124

430D CONTENTS (Cont'd)

POWER UNIT (CONT'D)	105-165
DIPSTICK & GUIDE	125-126
OIL PUMP	127-128
MAIN BEARING CASE	129-130
CAMSHAFT & IDLE GEAR SHAFT	131-132
PISTON & CRANKSHAFT	133-134
FUEL CAMSHAFT & GOVERNOR SHAFT	135-136
IDLE APPARATUS	137-138
INJECTION PUMP	139-140
GOVERNOR	141-142
SPEED CONTROL PLATE	143-144
NOZZLE HOLDER & GLOW PLUG	145-146
FUEL PUMP	147-148
FAN DRIVE PULLEY	149-150
PLUG	151-152
WATER FLANGE & THERMOSTAT	153-154
WATER PUMP	154-156
FAN	157-158
VALVE & ROCKER ARM	159-160
INLET MANIFOLD	161-162
EXHAUST MANIFOLD	163-164
FUEL SYSTEM	165-165
ACCESSORIES & OPTIONS	169-199
AIR CONDITIONER UPGRADE KIT	169-170
BLOCK HEATER KIT	171-172
DECALS	173-174
HEATER KIT	175-176
HVAC KIT	177-180
KEYLESS IGNITION KIT	181-182
LONG ARM KIT	183-184
MOTION ALARM KIT	185-186
SECONDARY AUXILIARY KIT	187-188
SOLAR KIT	189-190
STEEL TRACK KIT	191-192
X-CHANGE™ KIT	193-196
X-CHANGE™ MOUNTED	197-198
BULK ITEMS	199-200
NUMERICAL INDEX	201-228
NUMERICAL INDEX	201-228

GENERAL INFORMATION

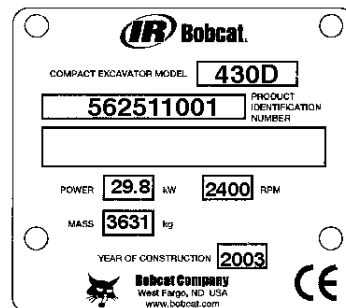
When using the machine serial number, use the complete number.

Some Serial Number breaks are not available at time of printing. These are listed as & Below or & Above.

The number shown in the quantity column in this manual is the number of parts needed for the illustration on the page. For some parts an "x" will be shown in the quantity column. This "x" indicates that the quantity to be used is "As Needed".

When references L.H. and R.H. are used in this manual, it is done from the operator's seat in the forward operating position.

Some of the illustrations and information found in this parts manual were supplied to Bobcat by machine component companies.



ABBREVIATIONS & SYMBOLS

SALES = Order from Gwinner Sales Department

NSS = Not Serviced Separately

NAP = Not Available as Parts

*** = Changed or Added Sections, Pages or Part Numbers**

Disposition Code Definition (Found in the Remarks Column)

[A] = Use Up

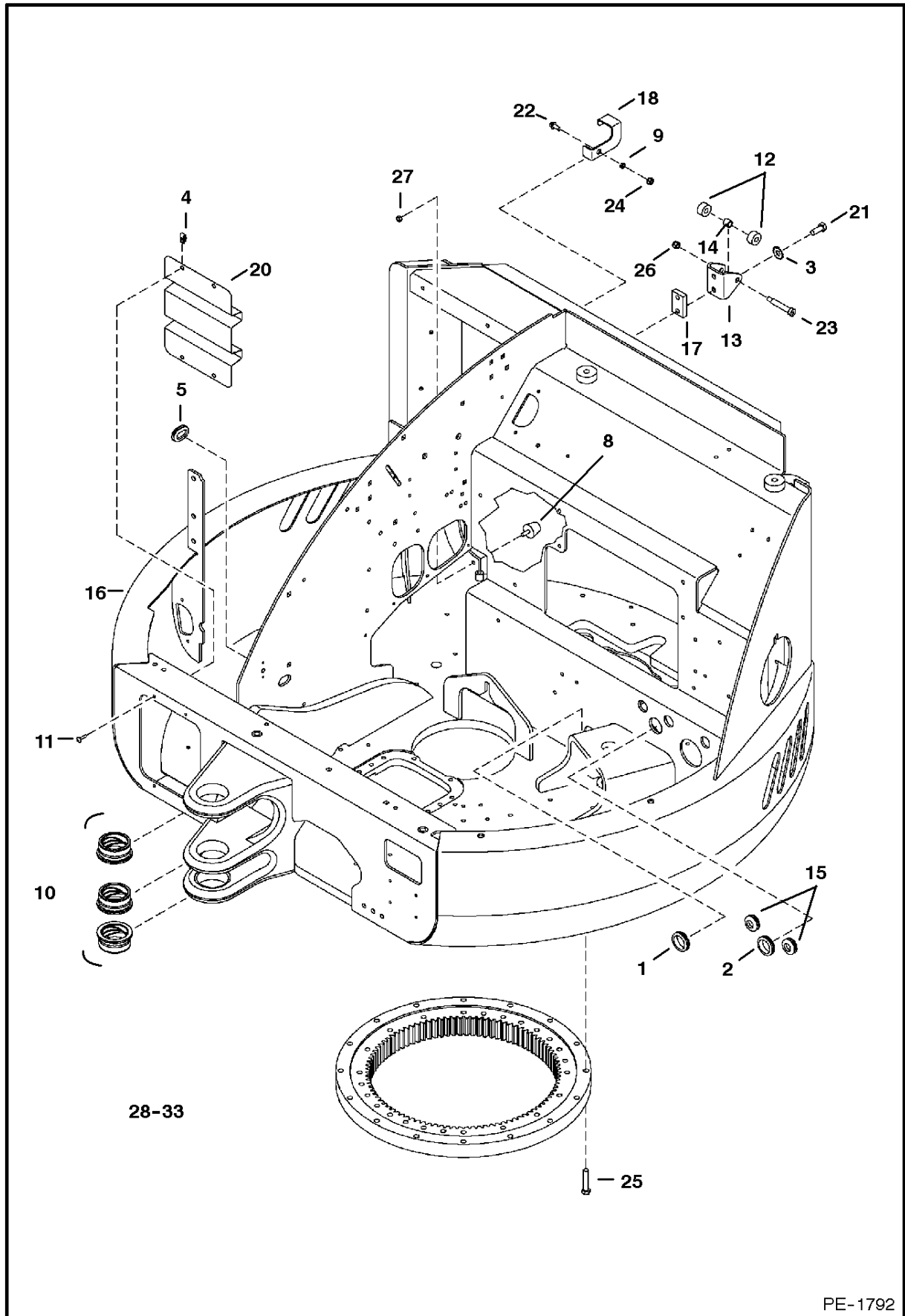
[B] = Use Up on Other Application (See PNI)

[C] = File PDR Report With Bobcat Parts Sales

[D] = Part Number Error

Explications en francais	Grid Nb	3
Erklärungen auf deutsch	Grid Nb	4
Spiegazioni in italiano	Grid Nb	5
Explicaciones en espanol	Grid Nb	6
Verklaring in het Nederlands	Grid Nb	7

UPPERSTRUCTURE

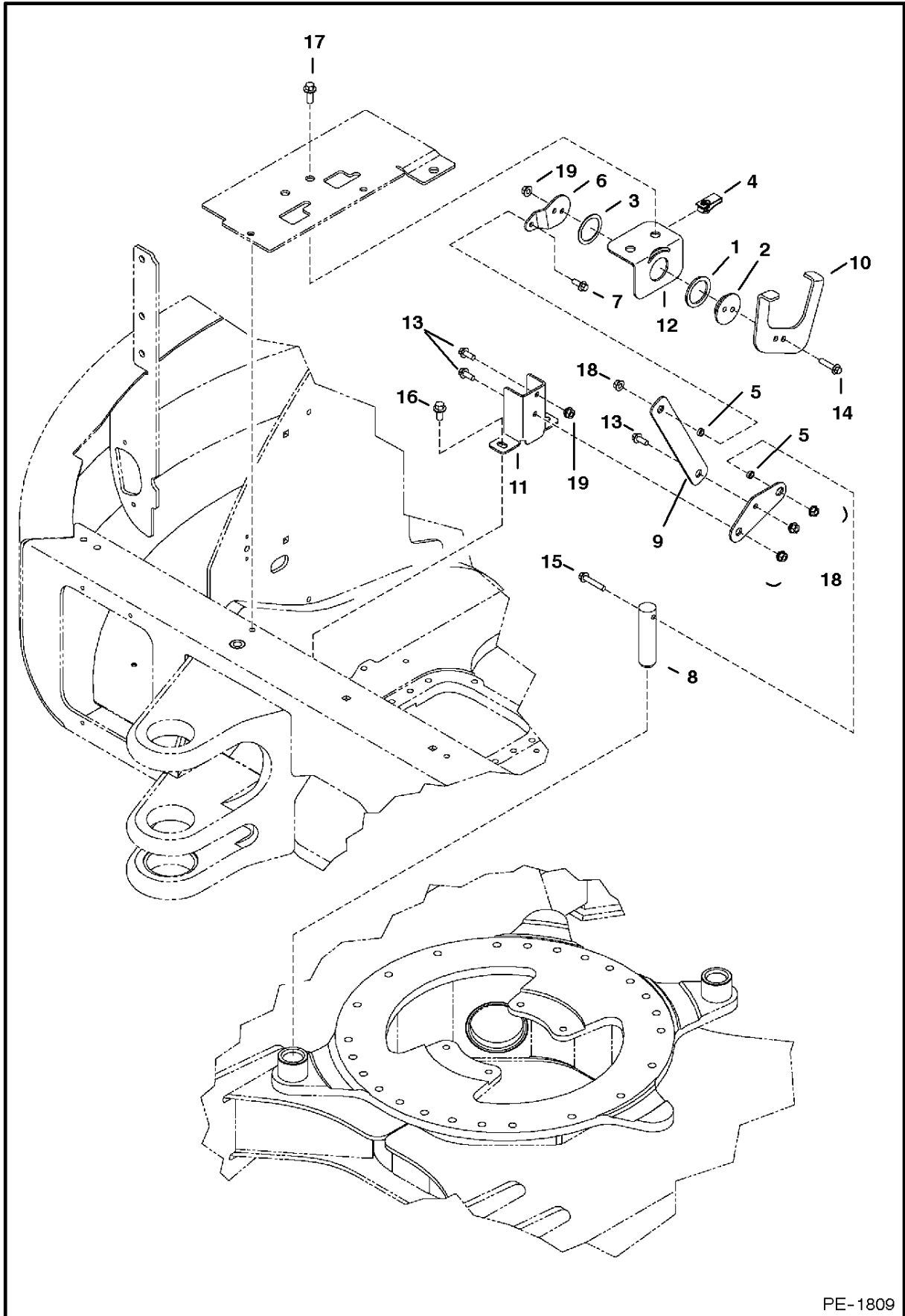


PE-1792

UPPERSTRUCTURE

Ref.N°	Part N°	Description	Remarks	Serial N°	Qty.
1	6515603	GROMMET			1
2	6670119	GROMMET			1
3	6675273	WASHER			3
4	6676026	NUT			4
5	6681886	GROMMET			1
6	6682272	SEAL	rubber		1
7	6683172	CLIP	plastic		6
8	6733616	BUMPER			1
9	6807220	SPACER			1
10	6807956	BUSHING			3
11	6809030	SCREW			4
12	6809726	ROLLER			2
13	6809727	CHANNEL			1
14	6809734	BUSHING			1
15	6810133	GROMMET			2
16	6810696	UPPERSTRUCTUR E			1
17	6810802	STRIKER	bar		1
18	6811886	PLATE			1
19	6814926	GROMMET			2
20	6816555	SCREEN			1
21	17C-820	BOLT			2
22	29CM-820	BOLT			1
23	38C-840	BOLT			1
24	43DM-8	NUT			1
25	55CM-1260	SCREW			16
26	59D-6	NUT			1
27	61D-5	NUT			1
28	6560899	WASHER	flat		1
29	6808365	BUMPER			1
30	6810972	PLATE			1
31	1CM-1030	BOLT			4
32	29CM-1050	SCREW			1
33	51DM-10	NUT			1

UPPERSTRUCTURE

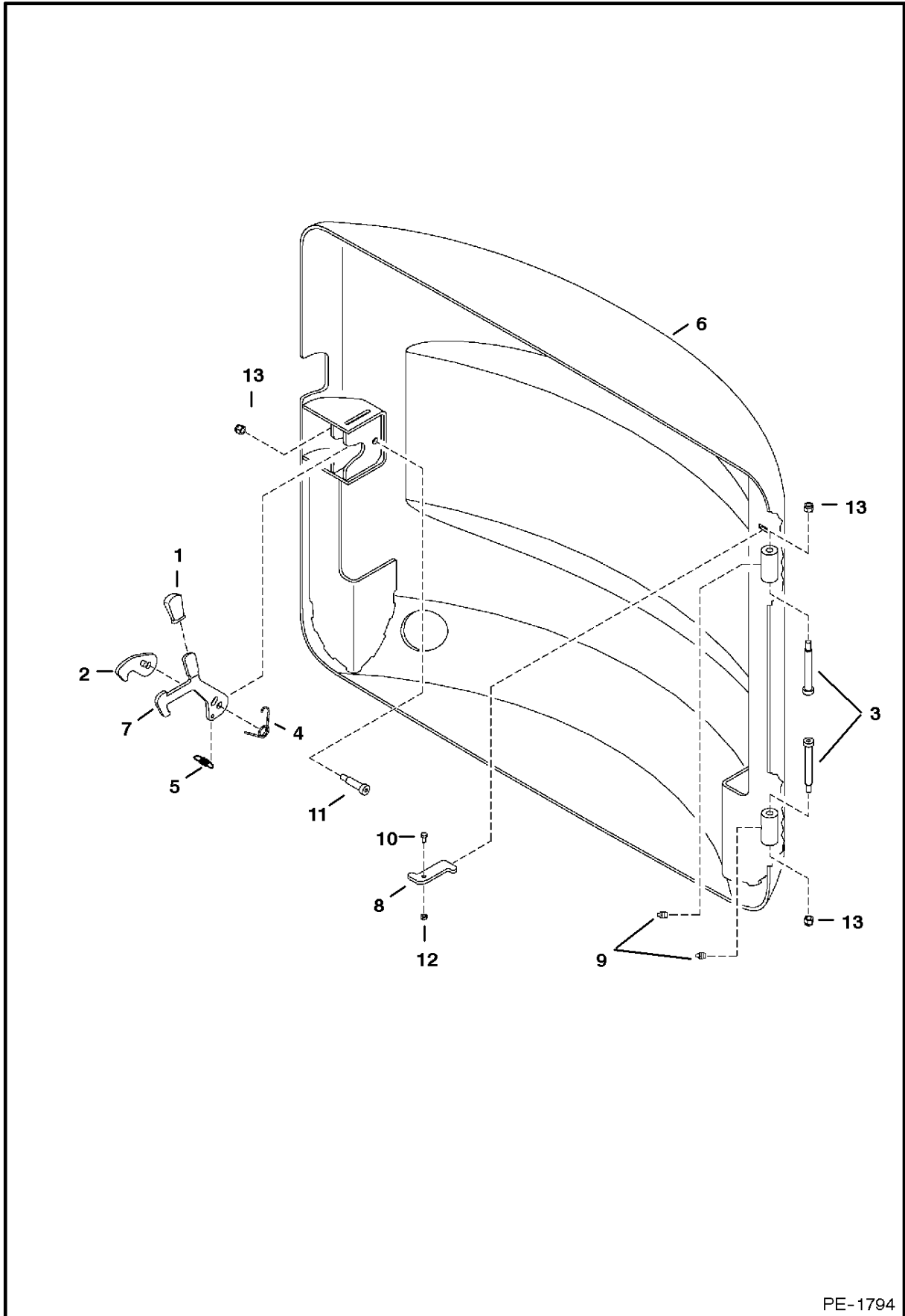


PE-1809

UPPERSTRUCTURE

Ref.N°	Part N°	Description	Remarks	Serial N°	Qty.
1	6567962	WASHER			1
2	6567963	SPACER			1
3	6630945	WASHER			2
4	6675722	NUT			2
5	6807220	SPACER			5
6	6808596	LEVER			1
7	6808597	LEVER			1
8	6808598	PIN			1
9	6814729	LINK			1
10	6814730	LEVER			1
11	6814731	BRACKET			1
12	6814732	BRACKET			1
13	29CM-820	BOLT			4
14	29CM-835	SCREW			3
15	29CM-845	SCREW			1
16	29CM-1020	BOLT			2
17	29CM-1025	SCREW			2
18	43DM-8	NUT			5
19	51DM-8	NUT			2

TAILGATE

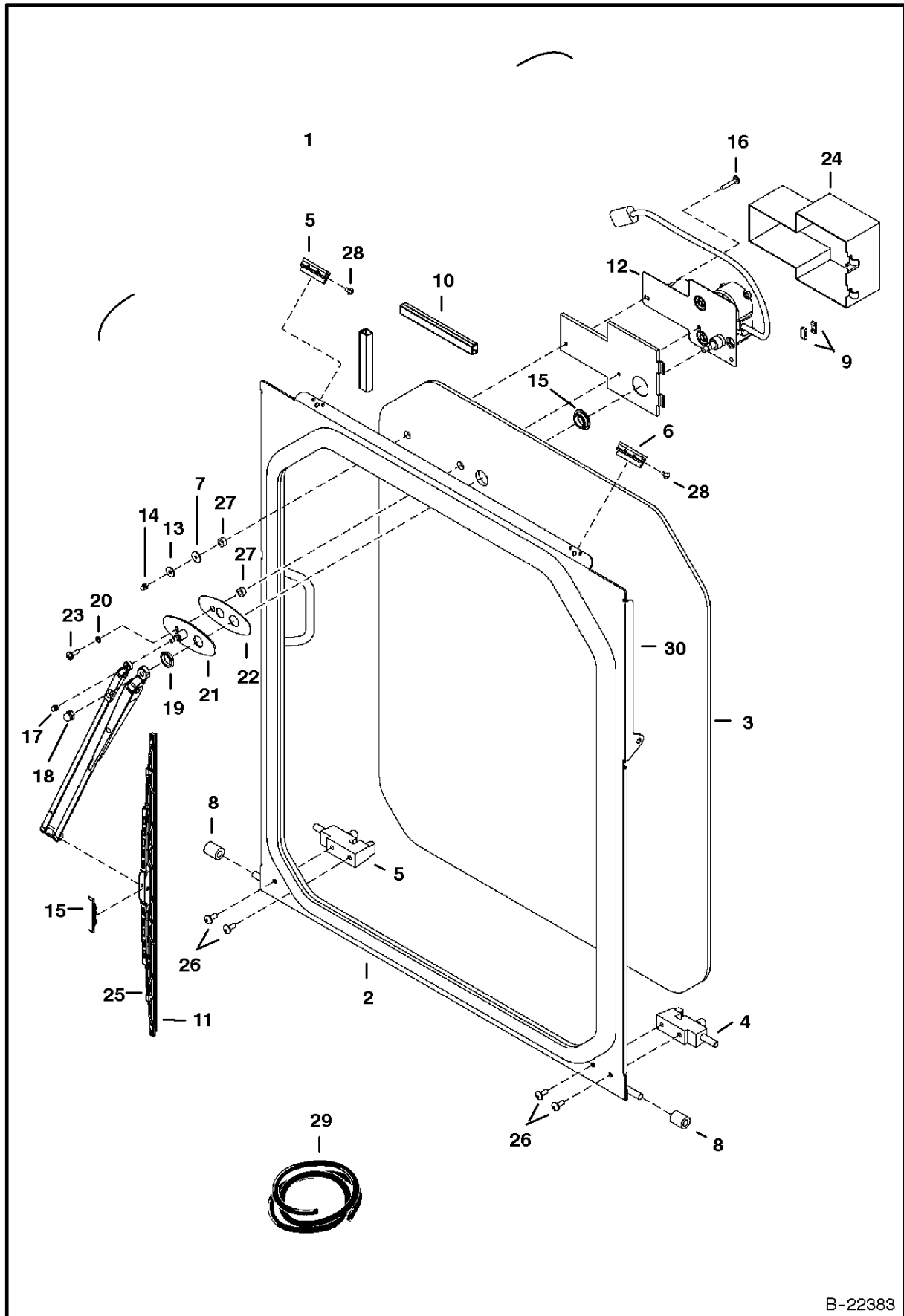


PE-1794

TAILGATE

Ref.N°	Part N°	Description	Remarks	Serial N°	Qty.
1	6564452	GRIP			1
2	6733667	LATCH			1
3	6809845	SCREW			2
4	6810132	SPRING			1
5	6810141	SPRING	extension		1
6	6810971	TAILGATE			1
7	6812988	HANDLE	latch		1
8	6808706	STOP	tailgate		1
9	10H-25	GREASE ZERK	grease		2
10	1CM-612	SCREW			1
11	38C-824	SCREW			1
12	4DM-6	NUT			1
13	59D-6	NUT			3

OPERATOR CAB (Front Window)

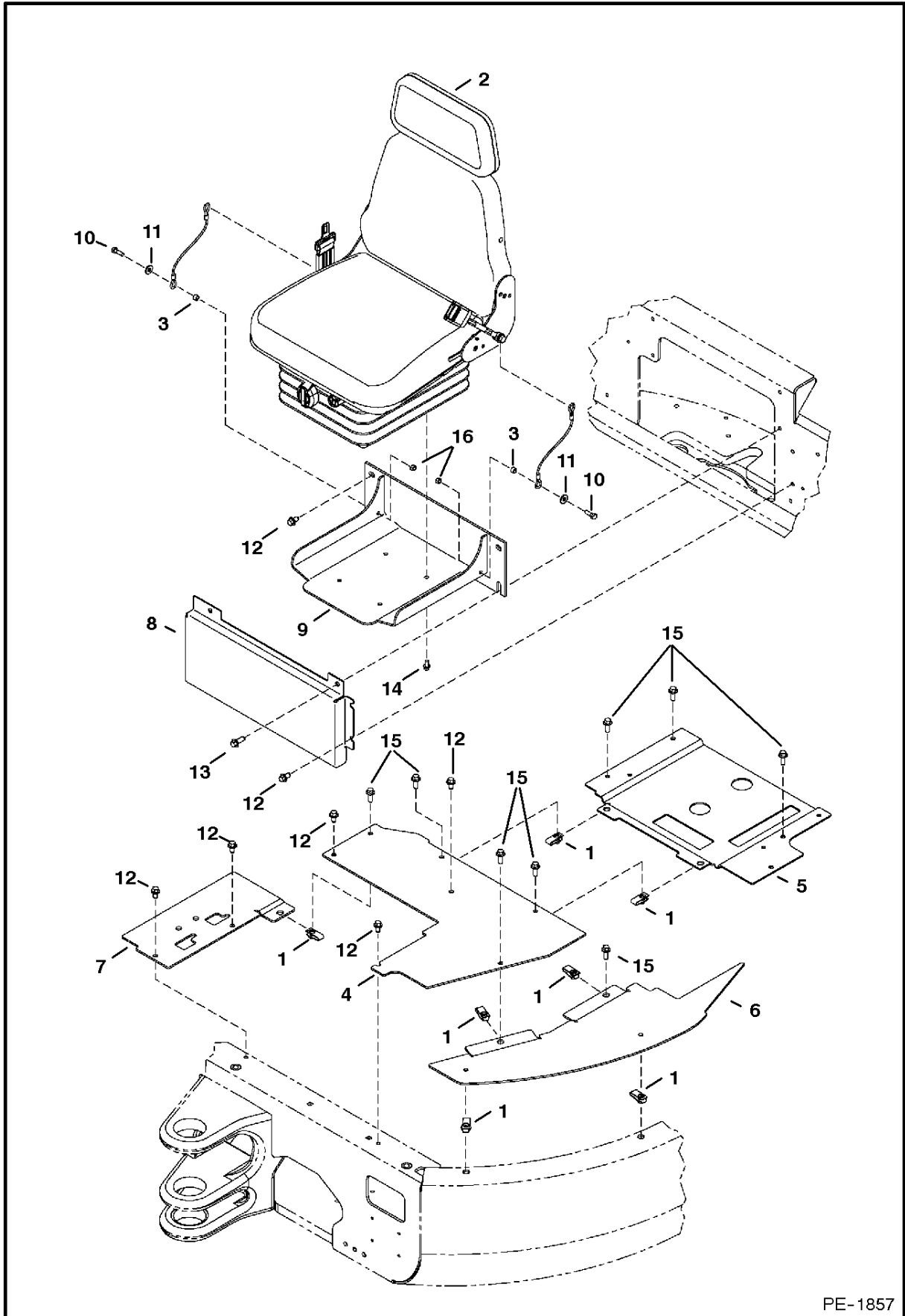


B-22383

OPERATOR CAB

Ref.N°	Part N°	Description	Remarks	Serial N°	Qty.
1	6807874	WINDOW	assy		1
2	NAP	SEAL	bulk - sold per foot - Order 119" (3018)mm of Ref. OPERATOR CAB(29)		x
3	6813674	WINDOW	front		1
4	6801503	LATCH	L.H.		1
5	6801502	LATCH	R.H.		1
6	6801420	CHANNEL			2
7	6801059	WASHER			1
8	6800873	ROLLER			2
9	6730849	SEAL	foam		2
10	6680971	RETAINER	wire		2
11	6680180	ARM	wiper		1
12	6679476	MOTOR	wiper		1
13	6678739	WASHER	flat		2
14	6678198	BOLT			1
15	6677847	GROMMET	rubber		1
16	6677845	ADAPTER	blade		1
17	6677844	NUT			1
18	6677843	NUT			1
19	6677842	NUT			1
20	6677841	WASHER			1
21	6677840	SWIVEL ASSY			1
22	6677839	GASKET	swivel		1
23	6677837	BOLT			1
24	6677836	MOTOR	motor		1
25	6677834	BLADE	wiper		1
26	6667196	BOLT			4
27	6664085	BUSHING	nylon		2
28	6630207	RIVET			4
29	6514301	SEAL	bulk - sold per foot		x
30	6813673	FRAME	window		1

OPERATOR SEAT

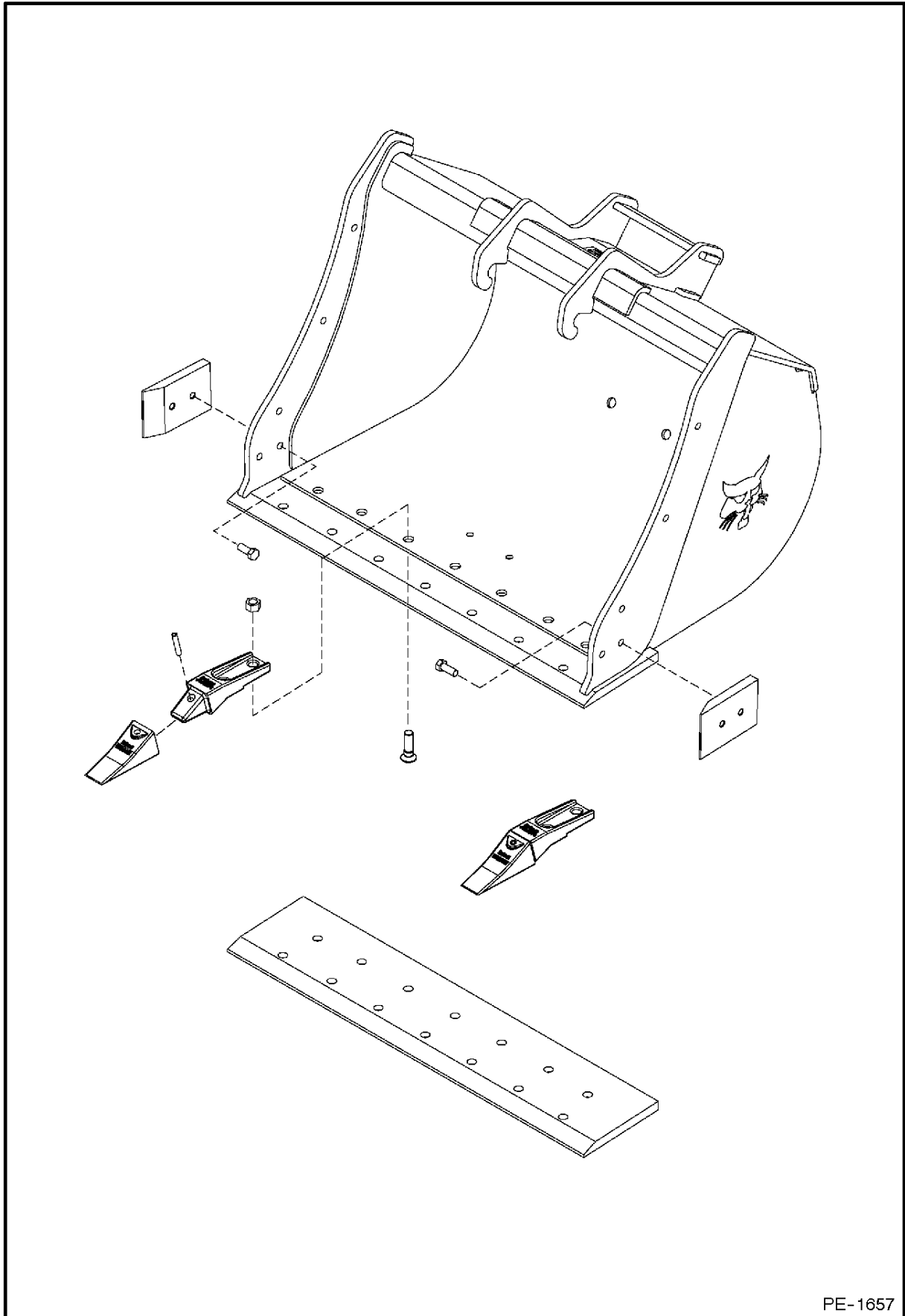


PE-1857

OPERATOR SEAT

Ref.N°	Part N°	Description	Remarks	Serial N°	Qty.
1	6675722	NUT			7
2	6682964	ROTARY ASSY	see page		1
3	6802539	SPACER			2
4	6812296	PLATE	front		1
5	6812297	PLATE	rear		1
6	6812298	PLATE			1
7	6812299	PLATE			1
8	6812458	PLATE			1
9	6814192	SEAT			1
10	1CM-825	BOLT			2
11	25E-16	WASHER			2
12	26GM-10020	SCREW			9
13	26GM-10030	SCREW			2
14	29CM-816	BOLT			4
15	29CM-1025	SCREW			8
16	53DM-8	NUT			7

BUCKET

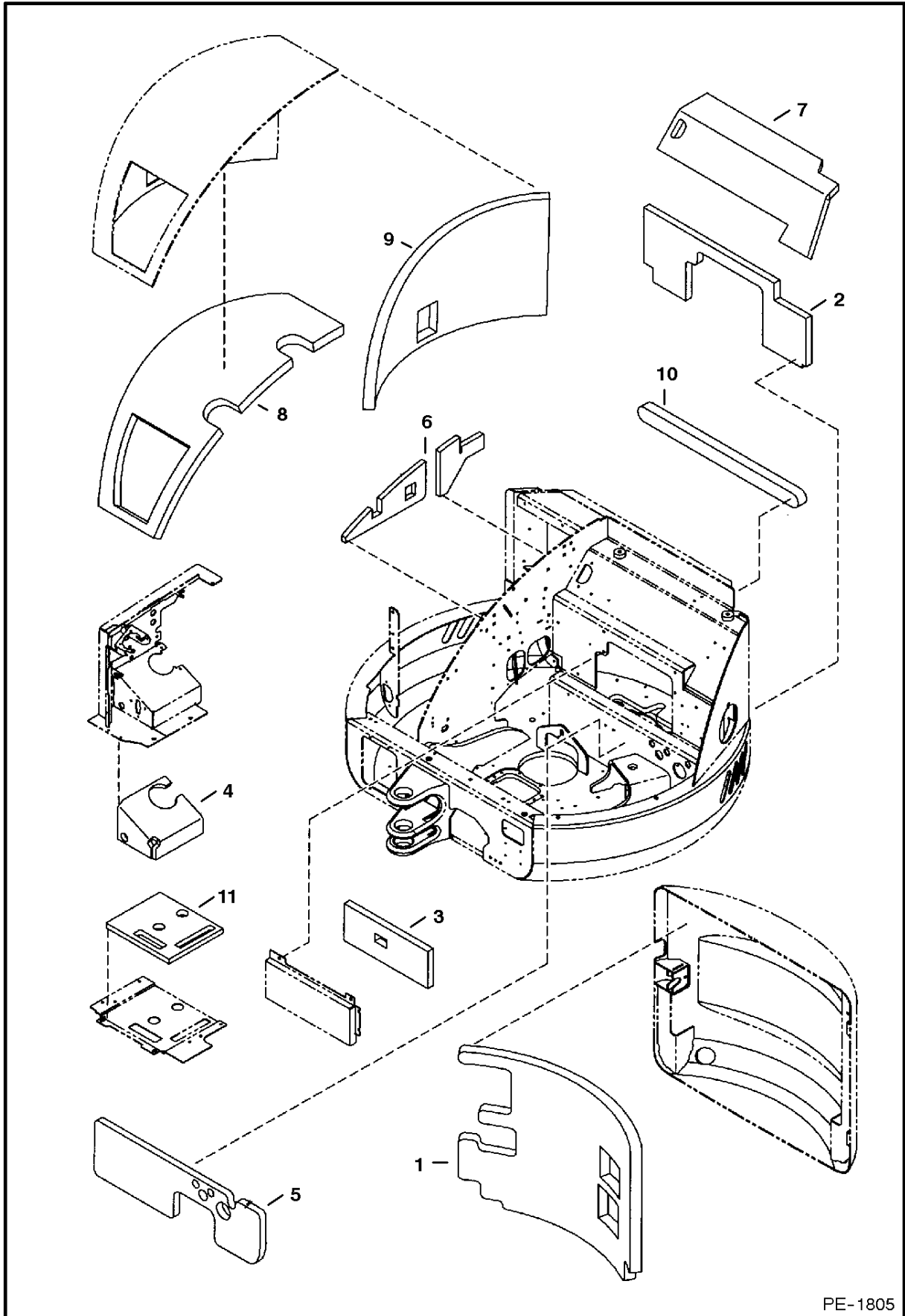


PE-1657

BUCKET

Ref.N°	Part N°	Description	Remarks	Serial N°	Qty.
1					x

INSULATION

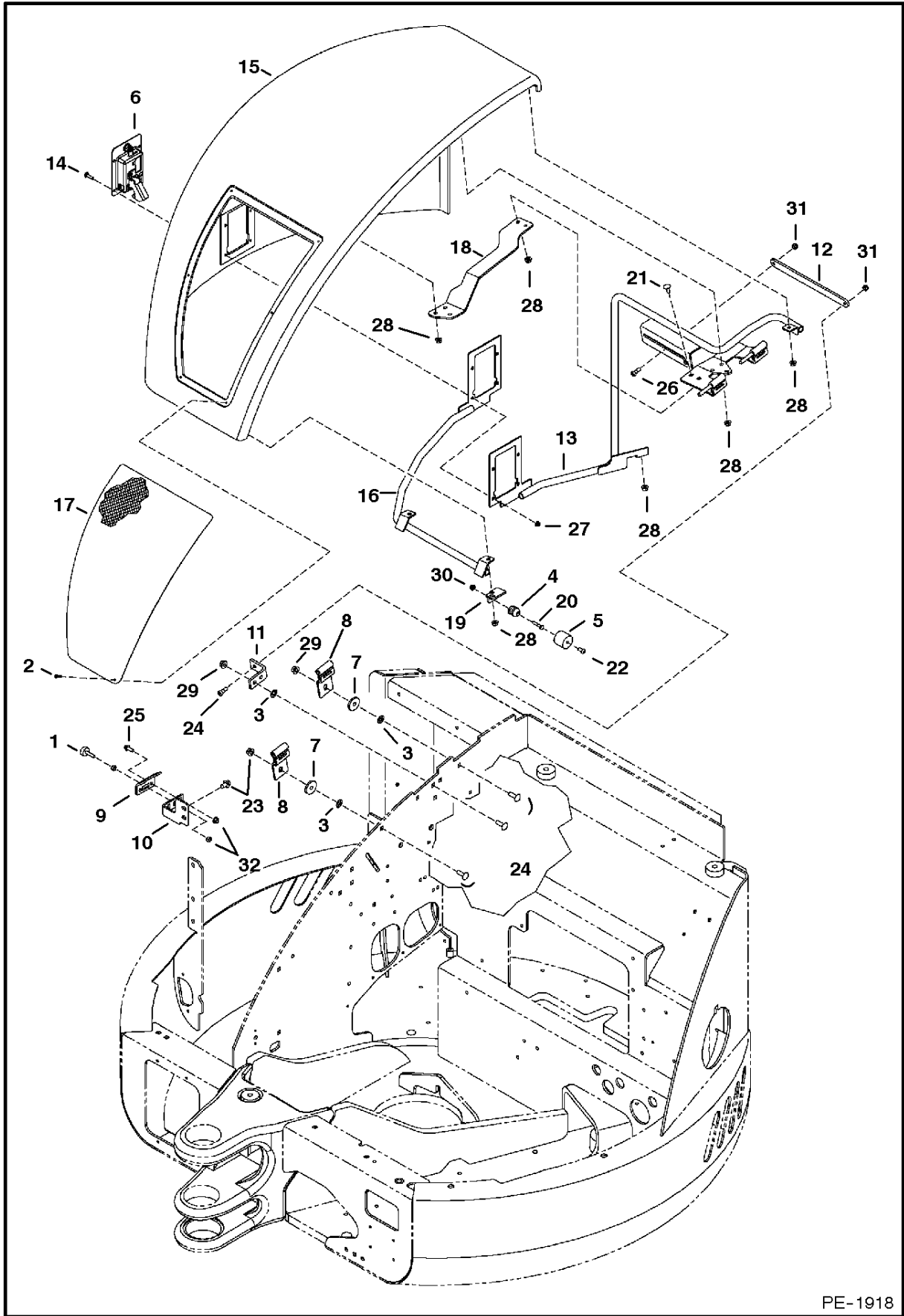


PE-1805

INSULATION

Ref.N°	Part N°	Description	Remarks	Serial N°	Qty.
1	6811891	INSULATION	tailgate		1
2	6811892	INSULATION	engine		1
3	6812193	INSULATION	seat		1
4	6812252	INSULATION	console		1
5	6813527	INSULATION	engine		1
6	6813529	INSULATION	valve		1
7	6814355	INSULATION	engine		1
8	6814371	INSULATION	R.H. cover		1
9	6814372	INSULATION	R.H. cover		1
10	6814393	INSULATION	tailgate		1
11	6814922	INSULATION	floor		1

R.H. COVER

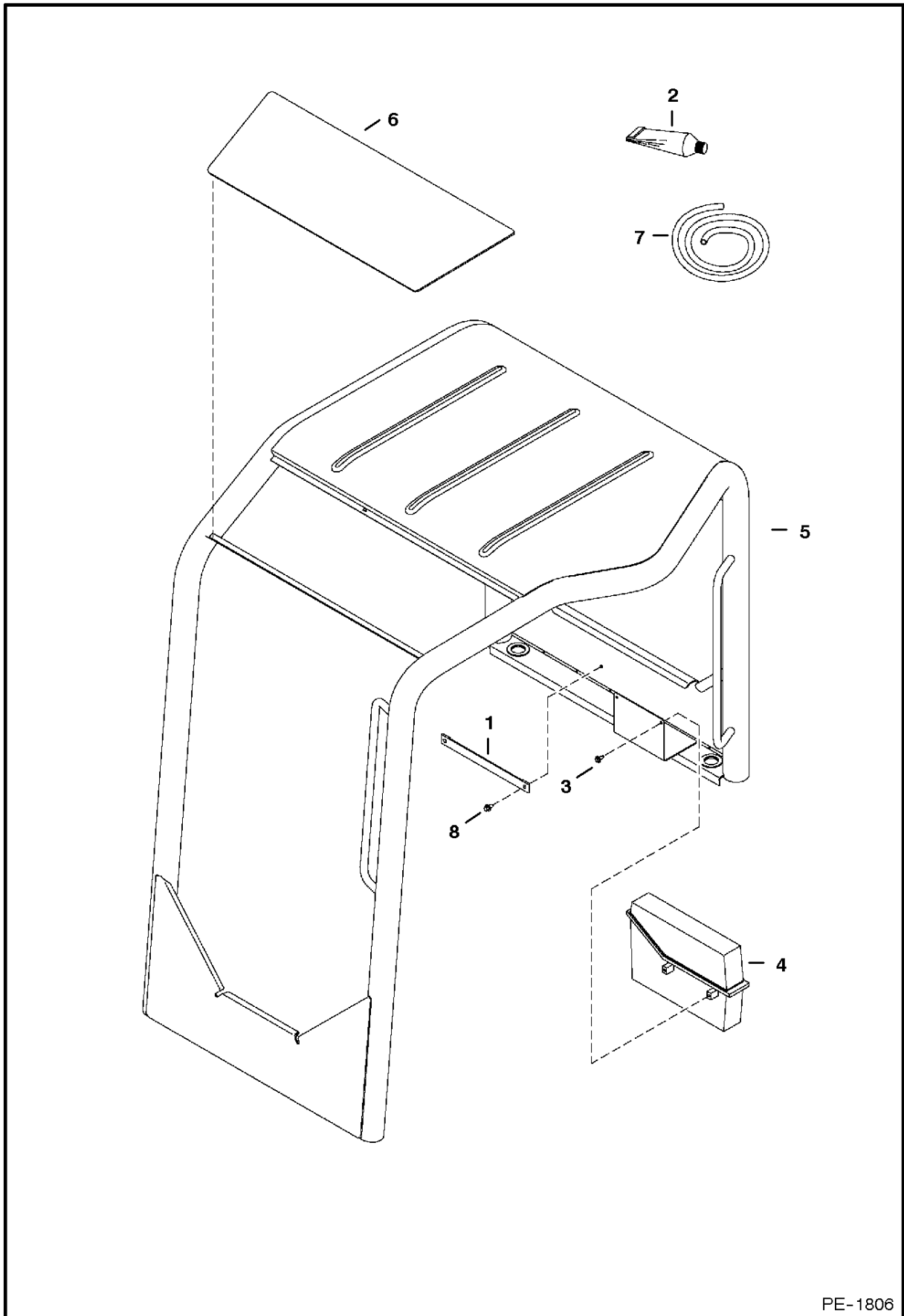


PE-1918

R.H. COVER

Ref.N°	Part N°	Description	Remarks	Serial N°	Qty.
1	6655399	BUMPER			1
2	6669224	BOLT			6
3	6674264	RETAINER	retainer		4
4	6675385	PLUG			1
5	6675386	SOCKET			1
6	6684408	LATCH			1
7	6805244	WASHER			2
8	6812809	HINGE			2
9	6813216	BRACKET			1
10	6815412	BRACKET			1
11	6816050	BRACKET			1
12	6816051	BAR			1
13	6816052	COVER			1
14	6816193	SCREW			4
15	6816300	COVER	R.H.		1
16	6816465	COVER			1
17	6816568	SCREEN			1
18	6816789	BRACKET			1
19	6817750	BRACKET			1
20	1C-420	SCREW			1
21	21CM-820	BOLT	carriage		2
22	25G-510	BOLT			1
23	26GM-10020	SCREW			2
24	28CM-1030	BOLT	carriage		4
25	29CM-820	BOLT			2
26	38C-606	BOLT			2
27	43DM-6	NUT			4
28	43DM-8	NUT			14
29	43DM-10	NUT			4
30	55D-4	NUT			1
31	59D-5	NUT			2
32	61D-5	NUT			2

CANOPY

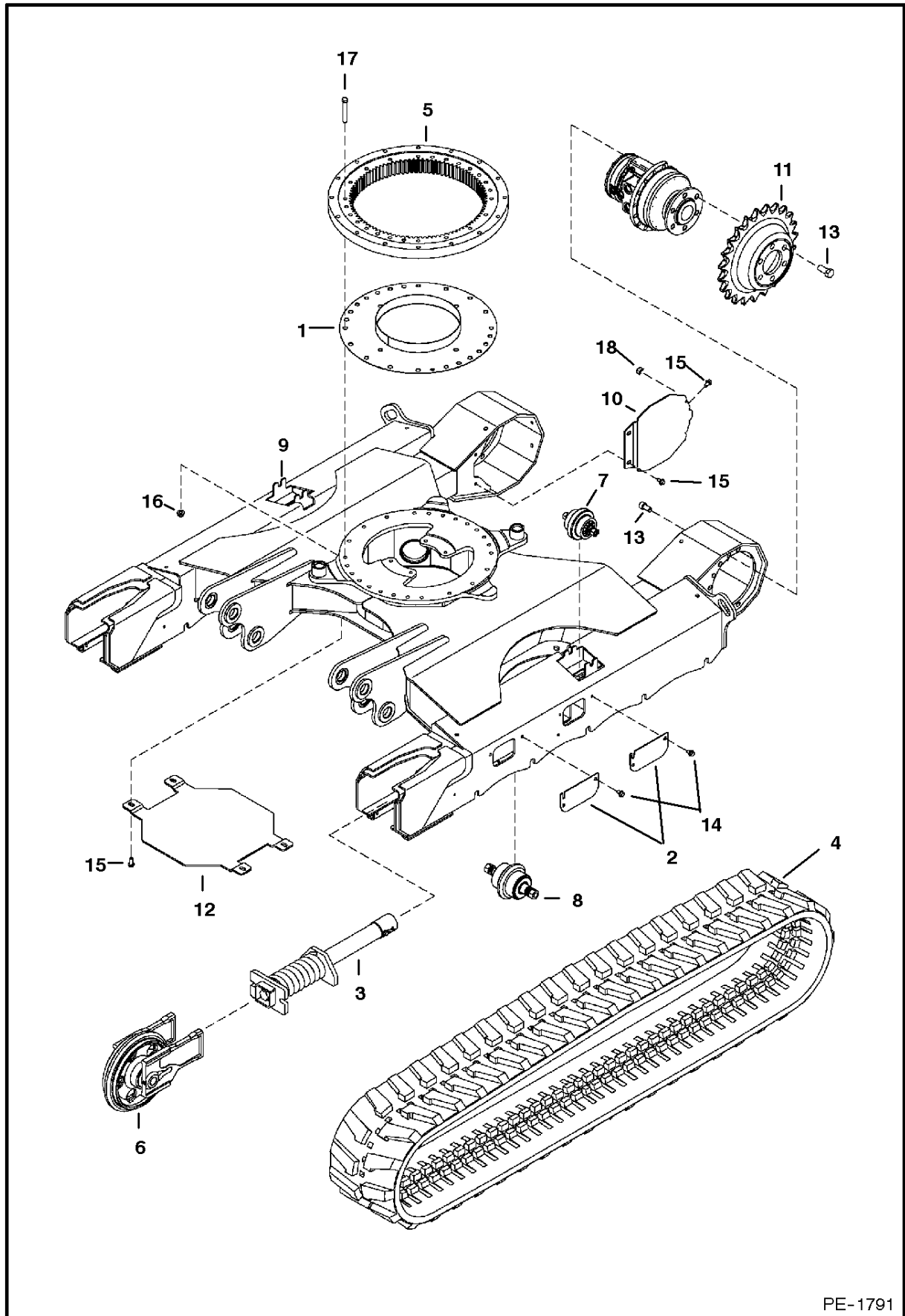


PE-1806

CANOPY

Ref.N°	Part N°	Description	Remarks	Serial N°	Qty.
1	6589347	STRAP			1
2		ADHESIVE			x
3	6702642	BOLT			2
4	6708827	CONTAINER			2
5	6811863	CANOPY			1
6	6812030	WINDOW			1
7		SEAL			1
8	26GM-8016	SCREW			2

UNDERCARRIAGE



PE-1791

**Thank you very much
for your reading.**

**Please click here and go
back to our website.**

**Then, you can download
the complete manual
instantly.**

No waiting.

Have questions.

Please write to me.

**All the problems will be answered
within 12 hours.**

aservicemanuapdf@yahoo.com